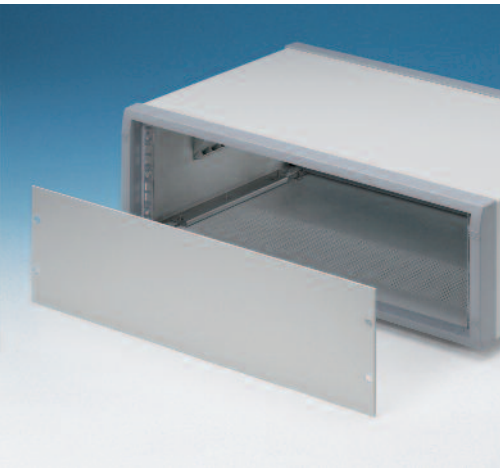
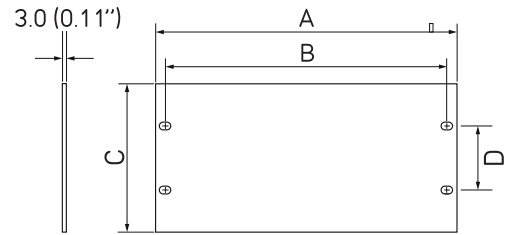


Accessories/Zubehör/Accessoires

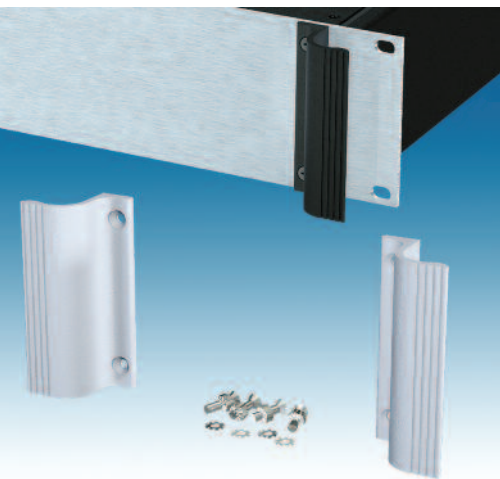


19" Front Panels

19" Frontplatte
Plaque Avant 19"



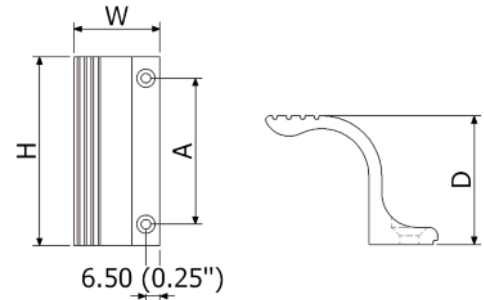
Part No. Bestell-Nr./Réf.	Version	Ventilated Mit Lüftung/Avec aération	A	B	C	D
M 60 10 001	3U x 10.5"	-	269.2 (10.60")	251.6 (9.90")	132.5 (5.17")	57.1 (2.23")
M 60 19 010	1U x 19"	-	482.6 (19.01")	465.0 (18.32")	43.6 (1.72")	31.7 (1.25")
M 60 19 011	1U x 19"	✓	482.6 (19.01")	465.0 (18.32")	43.6 (1.72")	31.7 (1.25")
M 60 19 020	2U x 19"	-	482.6 (19.01")	465.0 (18.32")	88.05 (3.47")	76.2 (3.00")
M 60 19 001	3U x 19"	-	482.6 (19.01")	465.0 (18.32")	132.5 (5.17")	57.1 (2.23")
M 60 19 040	4U x 19"	-	482.6 (19.01")	465.0 (18.32")	176.95 (6.96")	165.1 (6.50")
M 60 19 060	6U x 19"	-	482.6 (19.01")	465.0 (18.32")	265.90 (10.46")	254.1 (10.00")



Handle Kits

Griffe
Kit Poignées

Handle kits for standard 19" front panels.
Griff-Sets für 19"-Frontplatten.
Poignées pour la face avant du boîtier standard 19"



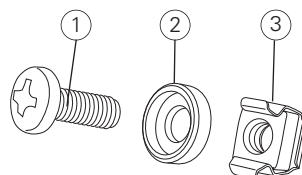
Supply: 2 Handles
M4 fixing screws and nuts
Lieferumfang: 2 Griffe
M4 Befestigungsschrauben und -muttern
Fournitures: 2 poignées
kit de fixation vis et écrous M4

Part No. Bestell-Nr./Réf.	Version	H	W	D	A	Colours Farben/Coloris
M 62 06 105	1U (1HE)	43.6 (1.71")	40 (1.57")	30 (1.18")	23.6 (0.93")	● RAL 7035
M 62 06 109	1U (1HE)	43.6 (1.71")	40 (1.57")	30 (1.18")	23.6 (0.93")	● RAL 9005
M 62 06 205	2U (2HE)	88.1 (3.46")	40 (1.57")	30 (1.18")	68.0 (2.86")	● RAL 7035
M 62 06 209	2U (2HE)	88.1 (3.46")	40 (1.57")	30 (1.18")	68.0 (2.86")	● RAL 9005
M 62 06 305	3U (3HE)	132.5 (5.21")	40 (1.57")	30 (1.18")	112.5 (4.43")	● RAL 7035
M 62 06 309	3U (3HE)	132.5 (5.21")	40 (1.57")	30 (1.18")	112.5 (4.43")	● RAL 9005
M 62 06 405	4U (4HE)	177 (6.96")	40 (1.57")	30 (1.18")	157.0 (6.18")	● RAL 7035
M 62 06 409	4U (4HE)	177 (6.96")	40 (1.57")	30 (1.18")	157.0 (6.18")	● RAL 9005
M 62 06 605	6U (6HE)	266 (10.47")	40 (1.57")	30 (1.18")	245.9 (9.68")	● RAL 7035
M 62 06 609	6U (6HE)	266 (10.47")	40 (1.57")	30 (1.18")	245.9 (9.68")	● RAL 9005

19" Mounting Kit

19"-Montage-Set
Kit de Montage Pour Châssis 19"

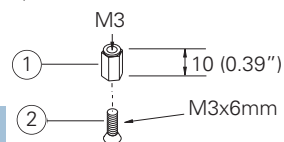
Part No. Bestell-Nr./Réf.	Article Artikel	Colours Farben/Coloris
M 60 00 035	① + ② + ③ x 4	● RAL 7035 ②
M 59 00 016	① + ② + ③ x 4	● RAL 9005 ②



PCB Mounting Kit

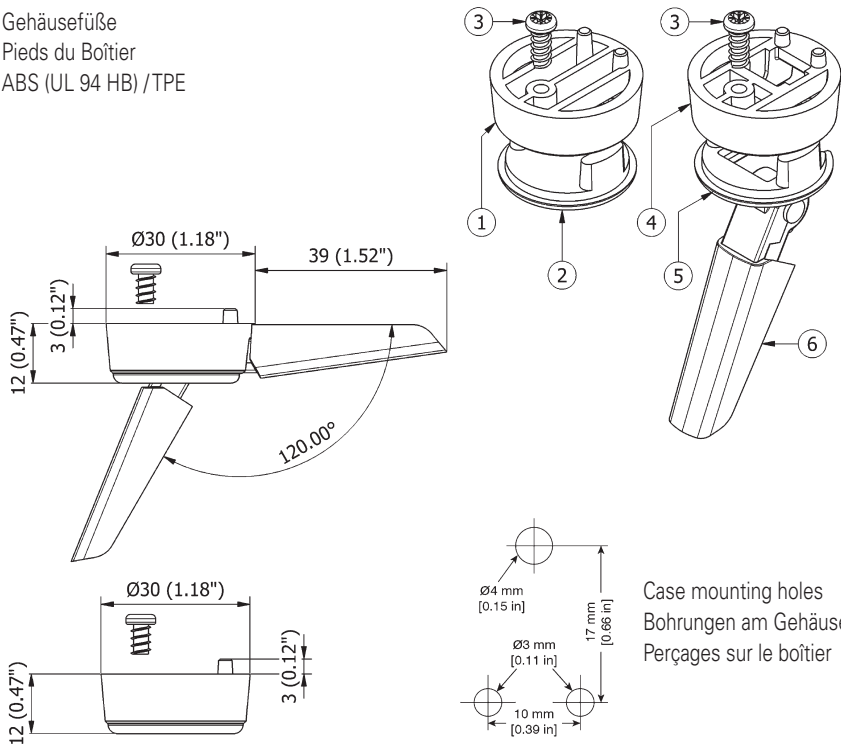
Leiterkarten Montage-Set
Jeu Pour Montage Des Circuits Imprimés

Part No. Bestell-Nr./Réf.	Article Artikel
M 56 00 001	① + ② x 10

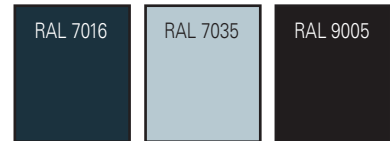


Technofeet

Gehäusefüße
Pieds du Boîtier
ABS (UL 94 HB) /TPE



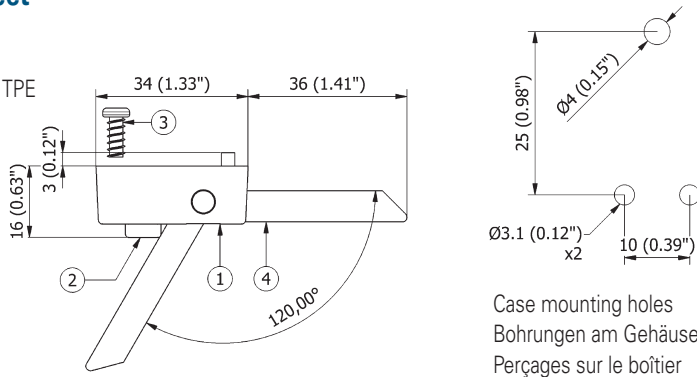
Part No. Bestell-Nr./Réf.	Kit	Article Artikel	Colours Farben/Coloris
M 64 20 104	1	(1) + (2) + (3) x 4	● RAL 7016
M 64 20 105	1	(1) + (2) + (3) x 4	● RAL 7035
M 64 20 109	1	(1) + (2) + (3) x 4	● RAL 9005
M 64 20 204	2	(3) + (4) + (5) x 4 + (6) x 2	● RAL 7016
M 64 20 205	2	(3) + (4) + (5) x 4 + (6) x 2	● RAL 7035
M 64 20 209	2	(3) + (4) + (5) x 4 + (6) x 2	● RAL 9005



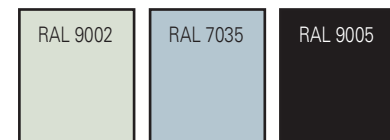
Standard colours
Standardfarben
Coloris standard

Enclosure Feet

Gehäusefüße
Pieds du Boîtier
ABS (UL 94 HB) /TPE



Part No. Bestell-Nr./Réf.	Kit	Article Artikel	Colours Farben/Coloris
A 92 57 107	1	(1) + (2) + (3) x 4	● RAL 9002
M 56 00 015	1	(1) + (2) + (3) x 4	● RAL 7035
M 56 00 019	1	(1) + (2) + (3) x 4	● RAL 9005
A 92 57 207	2	(1) + (2) + (3) x 4 + (4) x 2	● RAL 9002
M 56 00 045	2	(1) + (2) + (3) x 4 + (4) x 2	● RAL 7035
M 56 00 049	2	(1) + (2) + (3) x 4 + (4) x 2	● RAL 9005



Standard colours
Standardfarben
Coloris standard