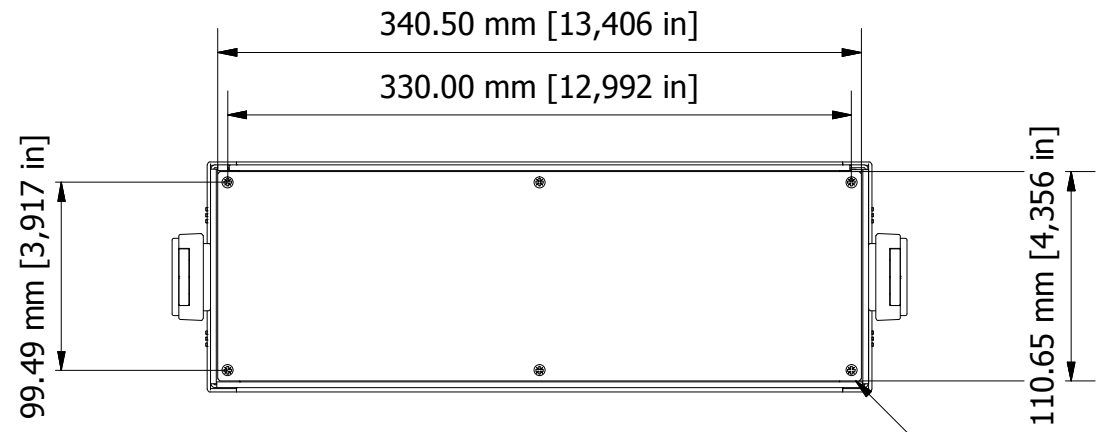
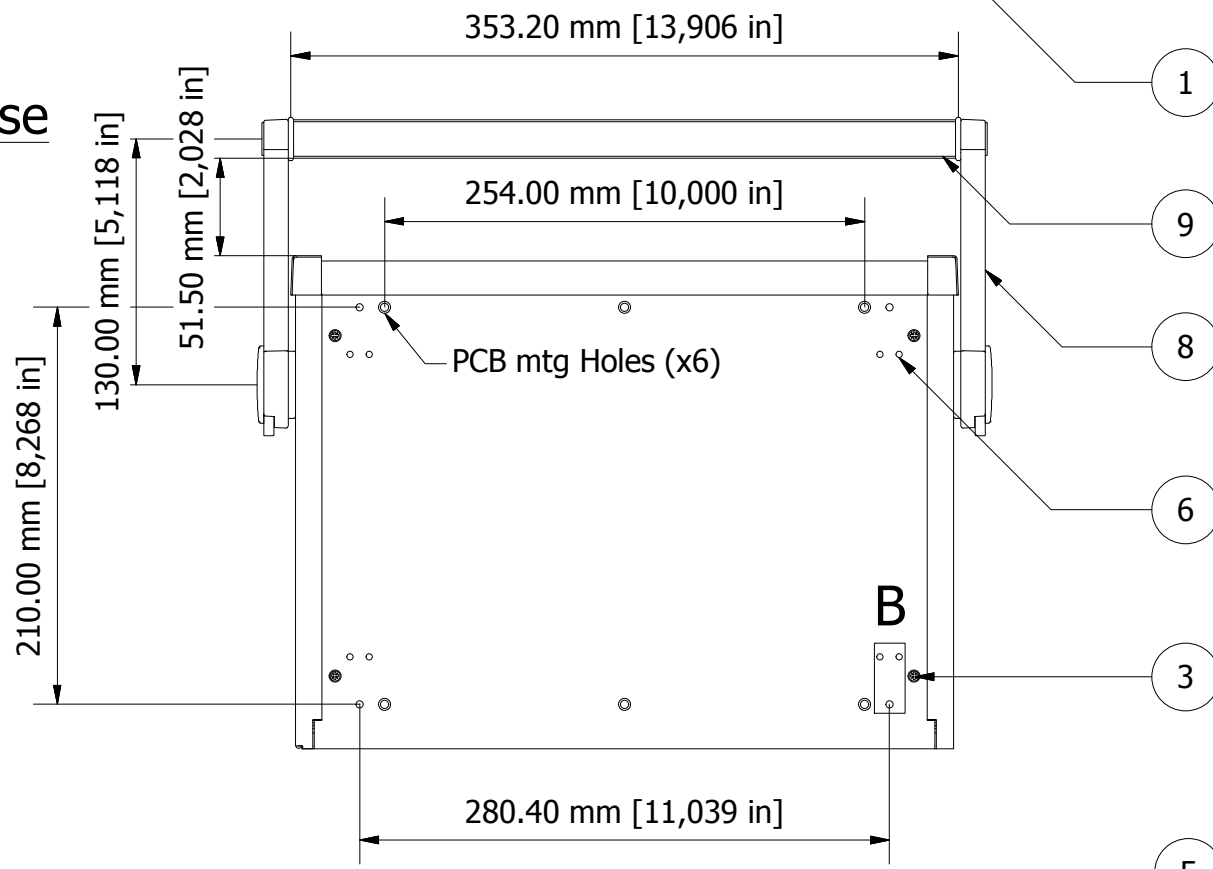


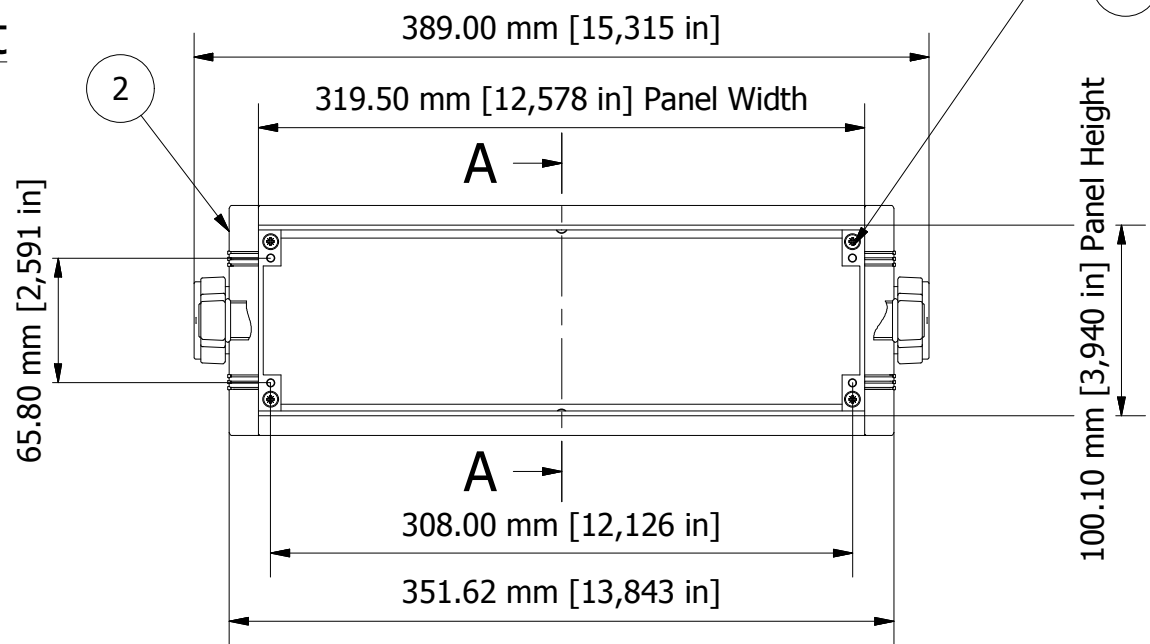
Rear



Base



Front

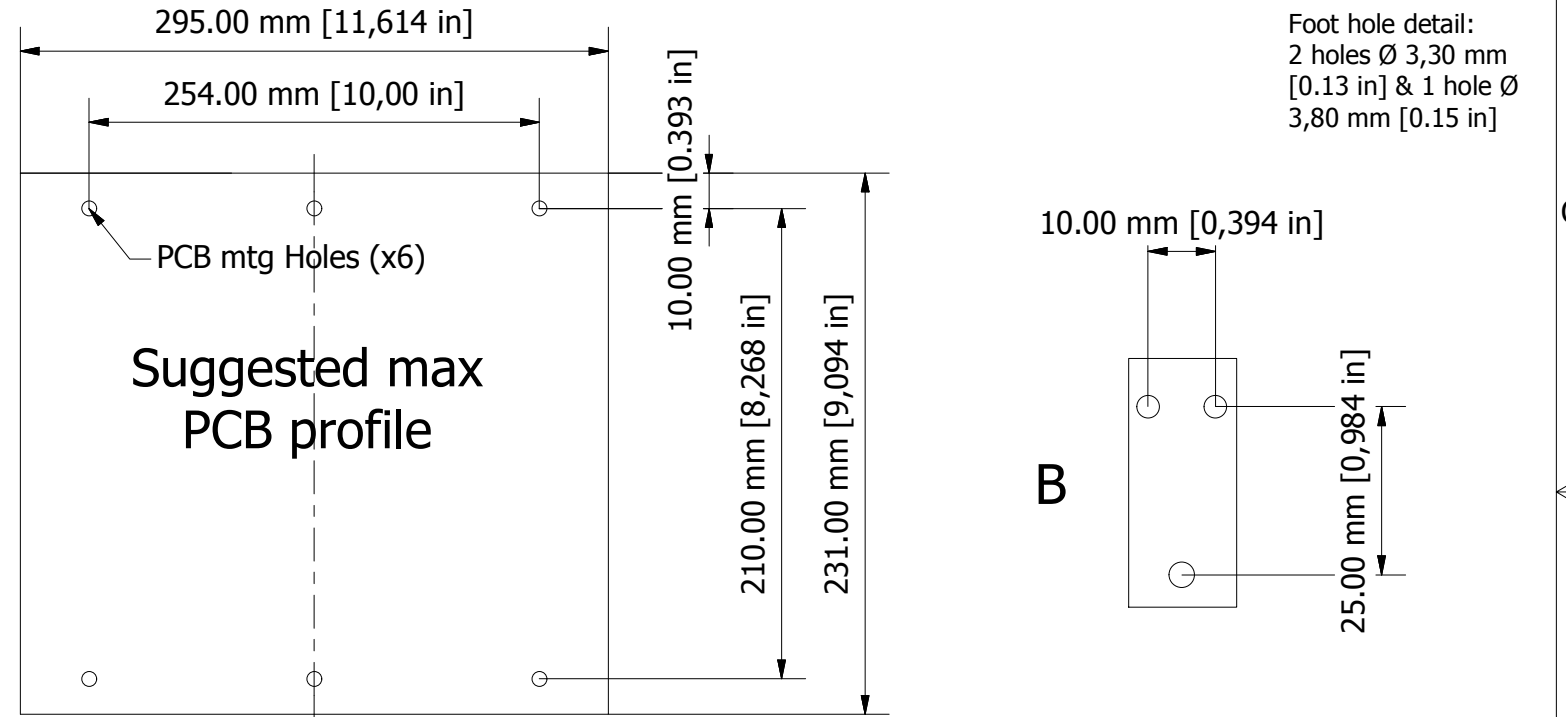


Notes:

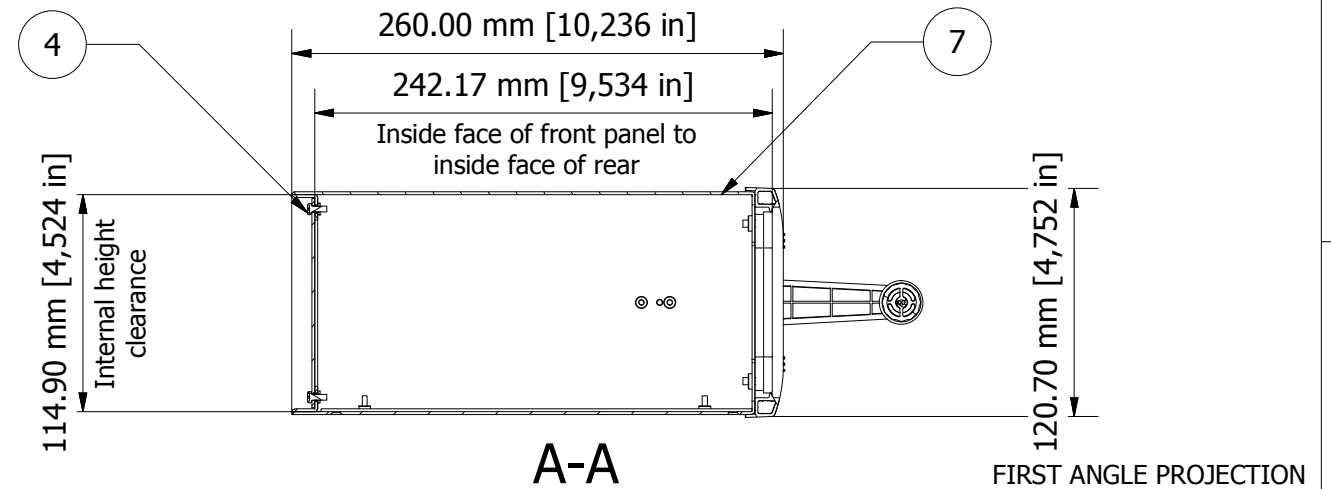
- 1) Case is fabricated from 1.5 mm aluminium sheet with die cast & extrusion bezels.
- 2) Case is powder coat painted fine texture with RAL 7040 bezels and RAL 7035 panels.

PARTS LIST

ITEM	QTY	PART NUMBER	DESCRIPTION
1	1	M5602004	Rear Panel
2	1	M5605004	Bezel
3	4	M3x8 CSK Screw	Base Panel Screws
4	6	M3x8 Pan Screw	Rear Panel Screws
5	4	M4x16 Screw	Bezel Fixing Screws
6	1	M5601003	Base Panel
7	1	M5601054H	Top Cover
8	2	AS054231	Side Arm Kit
9	1	M5600035	Handle Bar



Side



Designed by L Clark	Description Unimet 4H	Date 11/12/2012	Scale 1:4
METCASE ENCLOSURES 15 Brunel Way, Segensworth East, Fareham, Hampshire, UK. PO15 5TX Tel: +44 (0)1489 583858 Email: metcase@okw.co.uk		METcase™ www.metcase.com Part Number M5635225	
		Issue 1	Sheet 1 / 1

© OKW Enclosures Ltd (Date as shown). This drawing contains proprietary information of OKW Enclosures Ltd and is tendered subject to the following conditions. The information be retained in confidence, not be reproduced or copied, and not be used or incorporated in any product, unless permission is obtained in writing from OKW Enclosures Ltd.