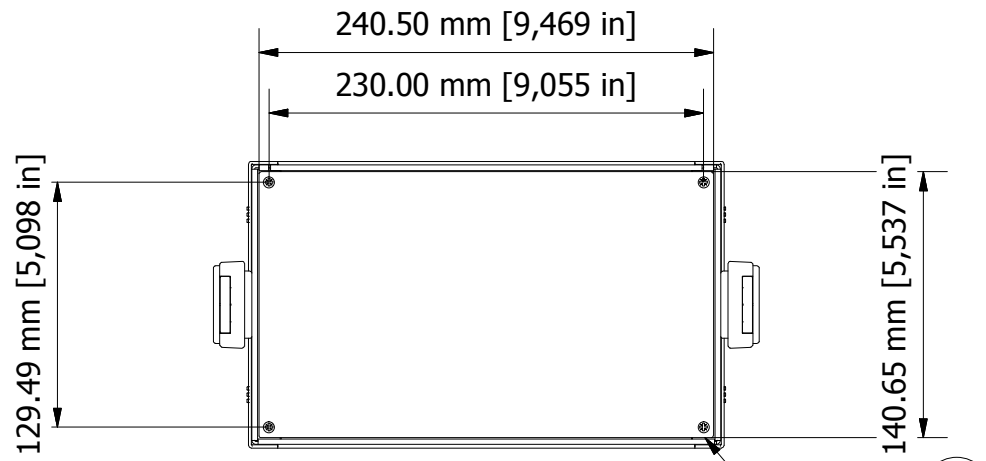
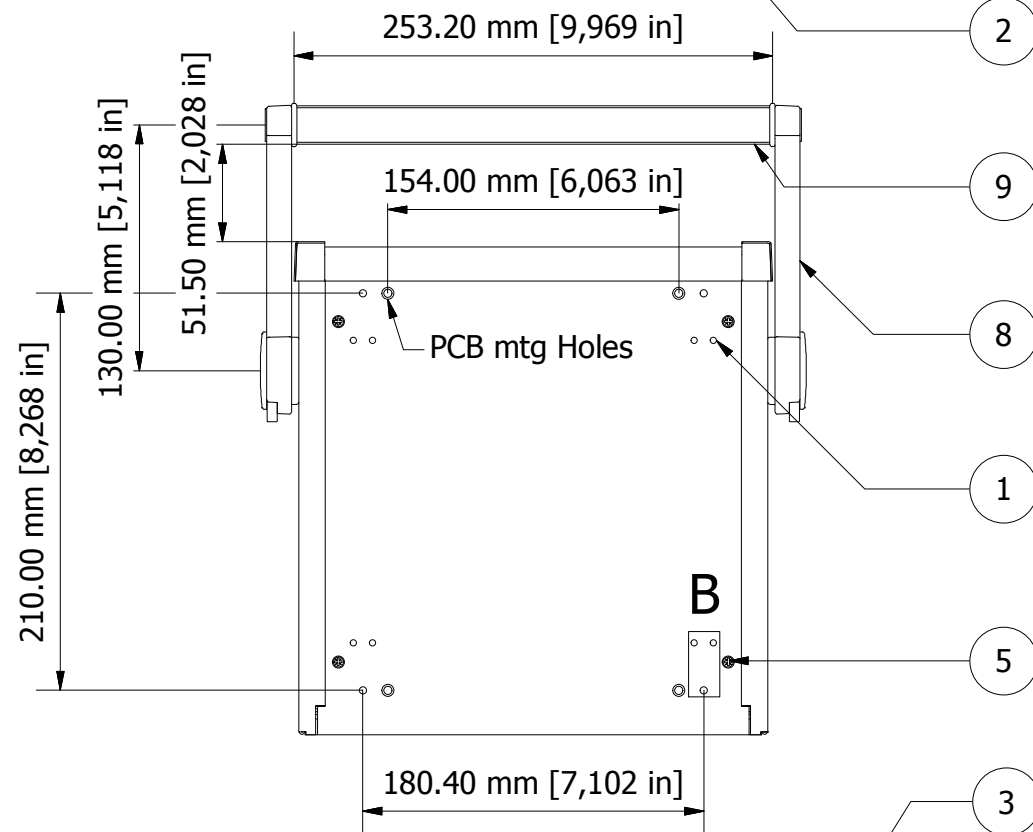


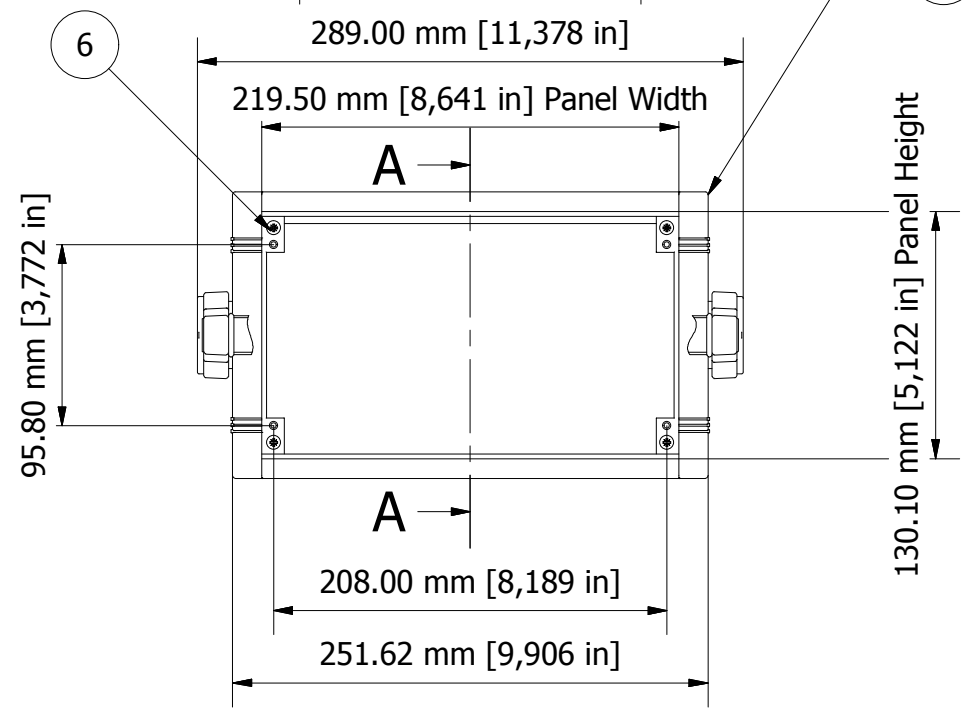
Rear



Base



Front

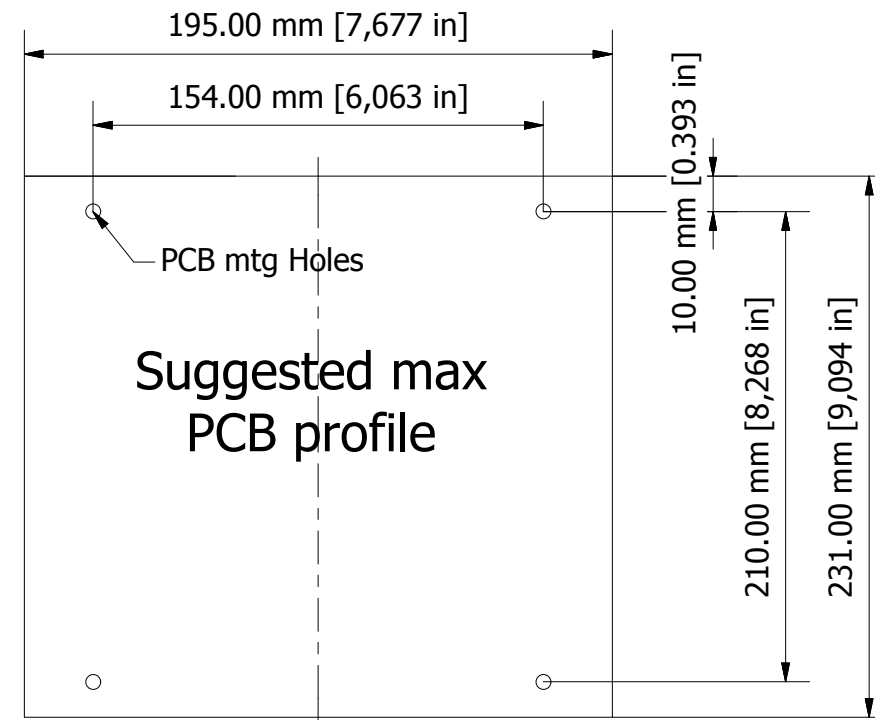


Notes:

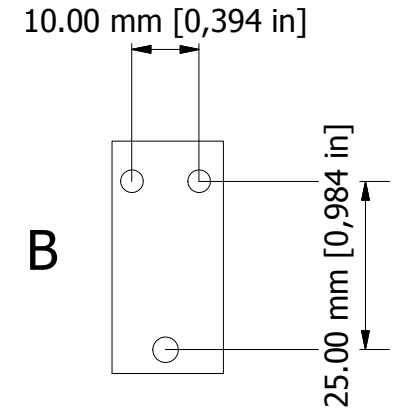
- 1) Case is fabricated from 1.5 mm aluminium sheet with die cast & extrusion bezels.
- 2) Case is powder coat painted fine texture with RAL 7040 bezels and RAL 7035 panels.

PARTS LIST

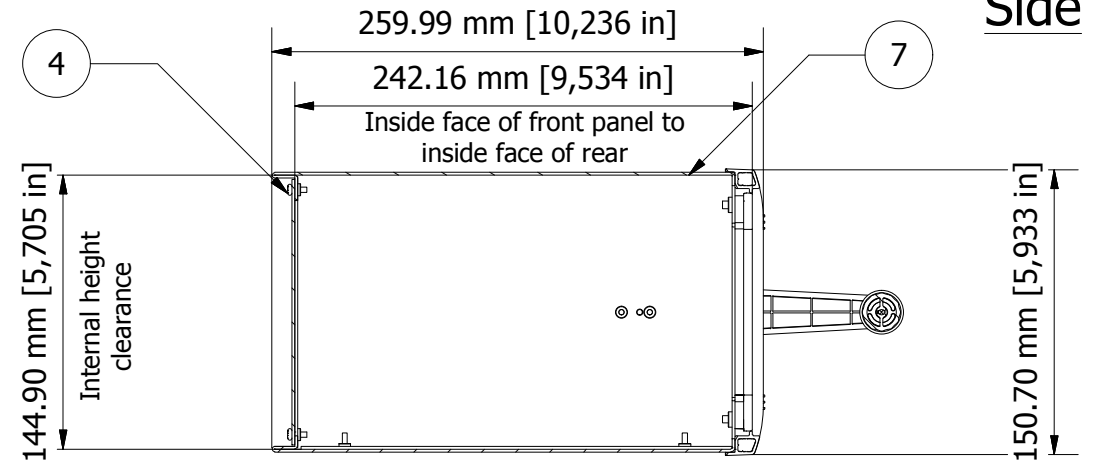
ITEM	QTY	PART NUMBER	DESCRIPTION
1	1	M5601002	Base Panel
2	1	M5602005	Rear Panel
3	1	M5605005	Bezel
4	4	M3 x 8 mm Pan Screw	Rear Panel Screws
5	4	M3 x 8 mm CSK Screw	Base Panel Screws
6	4	M4 x 16 mm CSK Screw	Bezel Fixing Screws
7	1	M5601055H	Top Cover
8	2	AS054231	Side Arm Kit
9	1	M5600025	Handle Bar



Foot hole detail:  
 2 holes Ø 3,30 mm [0,13 in] & 1 hole Ø 3,80 mm [0,15 in]



Side



A-A

FIRST ANGLE PROJECTION

Designed by L Clark	Description Unimet 5H	Date 11/12/2012	Scale 1:4
<b>METCASE ENCLOSURES</b> 15 Brunel Way, Segensworth East, Fareham, Hampshire, UK. PO15 5TX Tel: +44 (0)1489 583858 Email: metcase@okw.co.uk		<b>METcase™</b> www.metcase.com Part Number <b>M5625325</b>	
		Issue 1	Sheet 1 / 1

© OKW Enclosures Ltd (Date as shown). This drawing contains proprietary information of OKW Enclosures Ltd and is tendered subject to the following conditions. The information be retained in confidence, not be reproduced or copied, and not be used or incorporated in any product, unless permission is obtained in writing from OKW Enclosures Ltd.