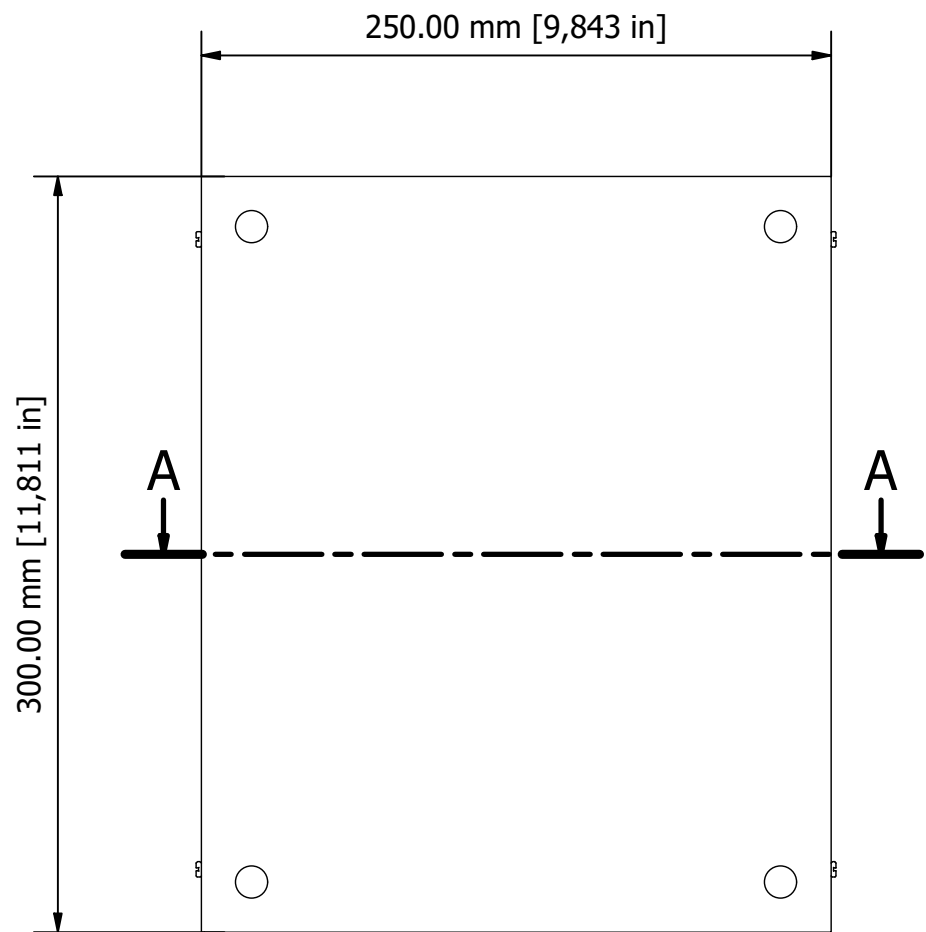
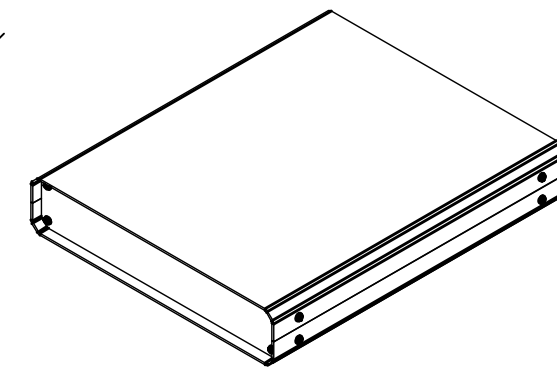
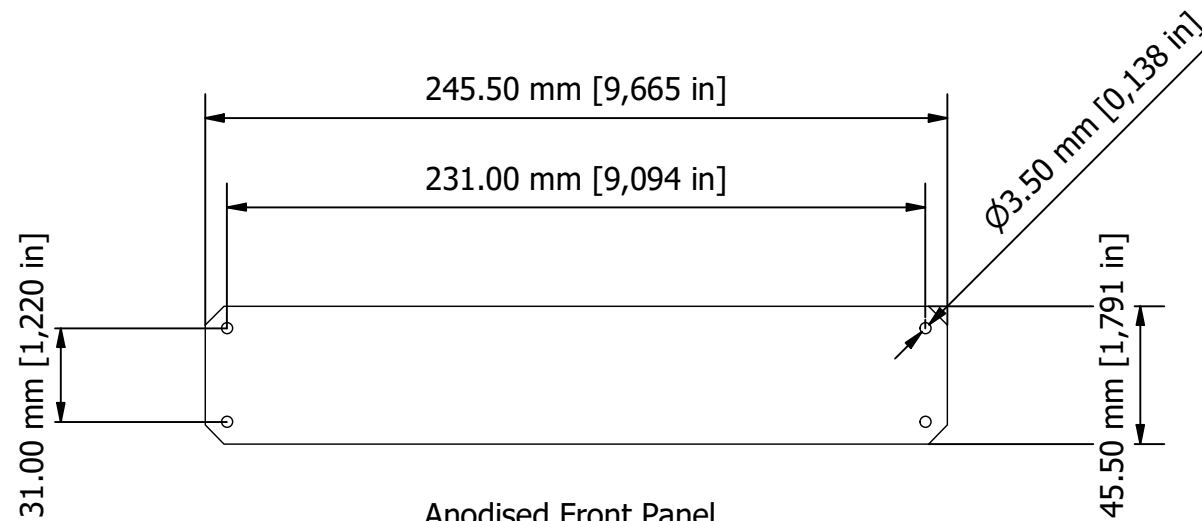


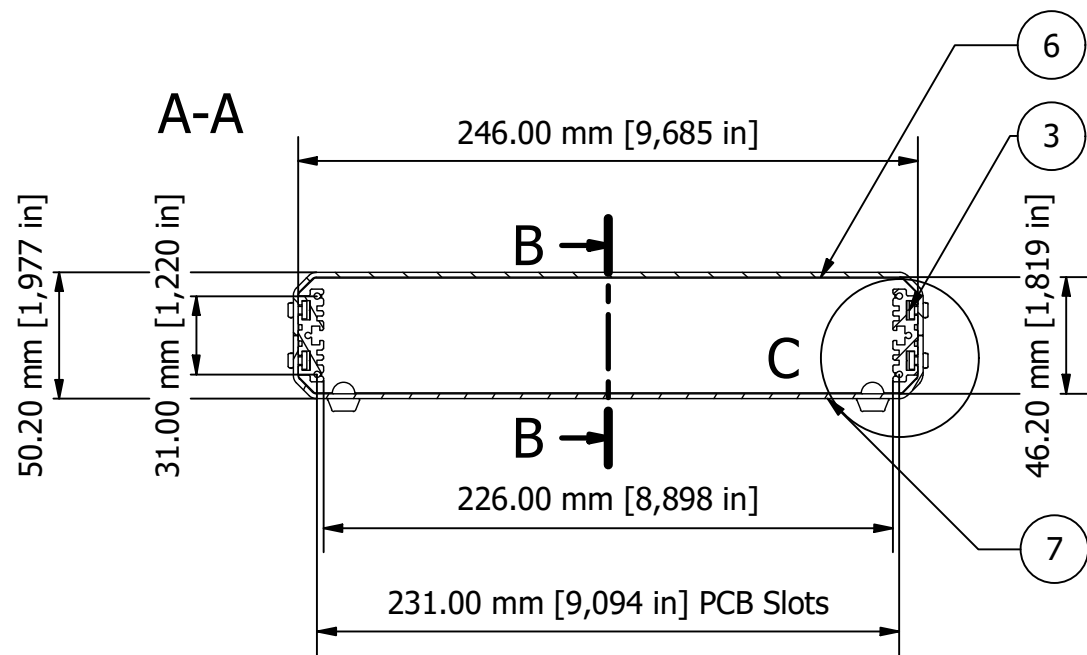
**Base**



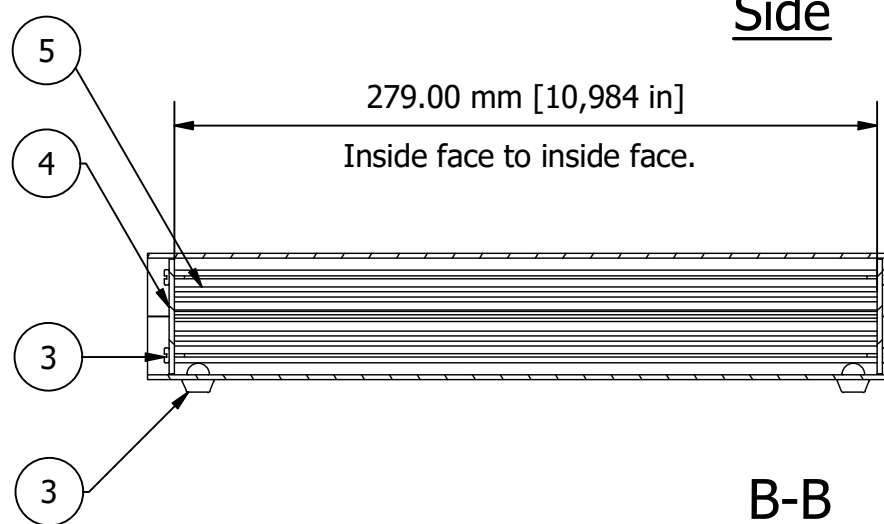
PARTS LIST			
ITEM	QTY	PART NUMBER	DESCRIPTION
3	1	M5403016	Unicase Assembly Kit
4	2	M5402023	Front/Rear Panel
5	2	M5400004	Extrusion
6	1	M5409054	Top Panel
7	1	M5409154	Base Panel



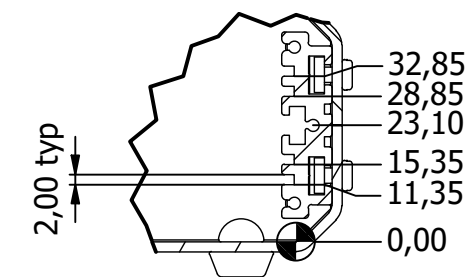
**Front**



**Side**



**Detail C**



FIRST ANGLE PROJECTION

Designed by L Clark	Description UNICASE SL4 BLACK	Date 02/07/2013	Scale 1:3
<b>METCASE ENCLOSURES</b> 15 Brunel Way, Segensworth East, Fareham, Hampshire, UK. PO15 5TX Tel: +44 (0)1489 583858 Email: metcase@okw.co.uk		<b>METcase™</b> www.metcase.com Part Number <b>M5514119</b>	
		Issue 1	Sheet 1 / 1

© OKW Enclosures Ltd (Date as shown). This drawing contains proprietary information of OKW Enclosures Ltd and is tendered subject to the following conditions. The information be retained in confidence, not be reproduced or copied, and not be used or incorporated in any product, unless permission is obtained in writing from OKW Enclosures Ltd.