

Base

385.60 mm [15,181 in]

348.83 mm [13,733 in]

350.00 mm [13,780 in]

275.00 mm [10,827 in]

Front

129.81 mm [5,111 in]

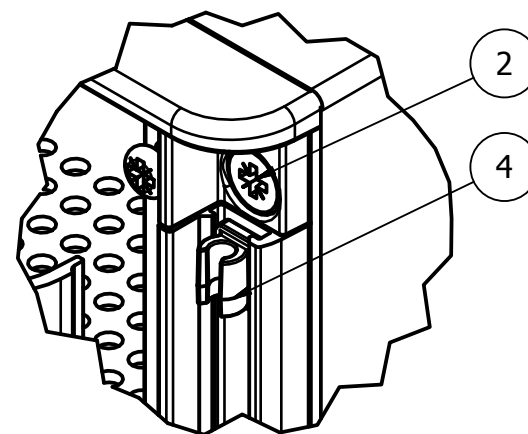
12.00 mm [0,472 in]

Rear panel earth stud

Front panel (M6400707) sold seperately

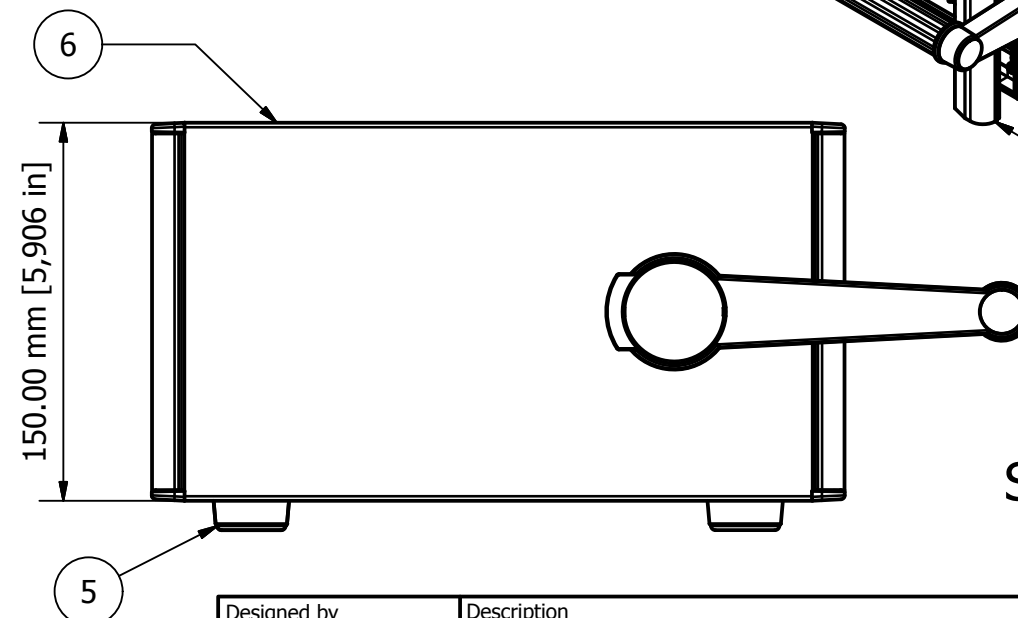
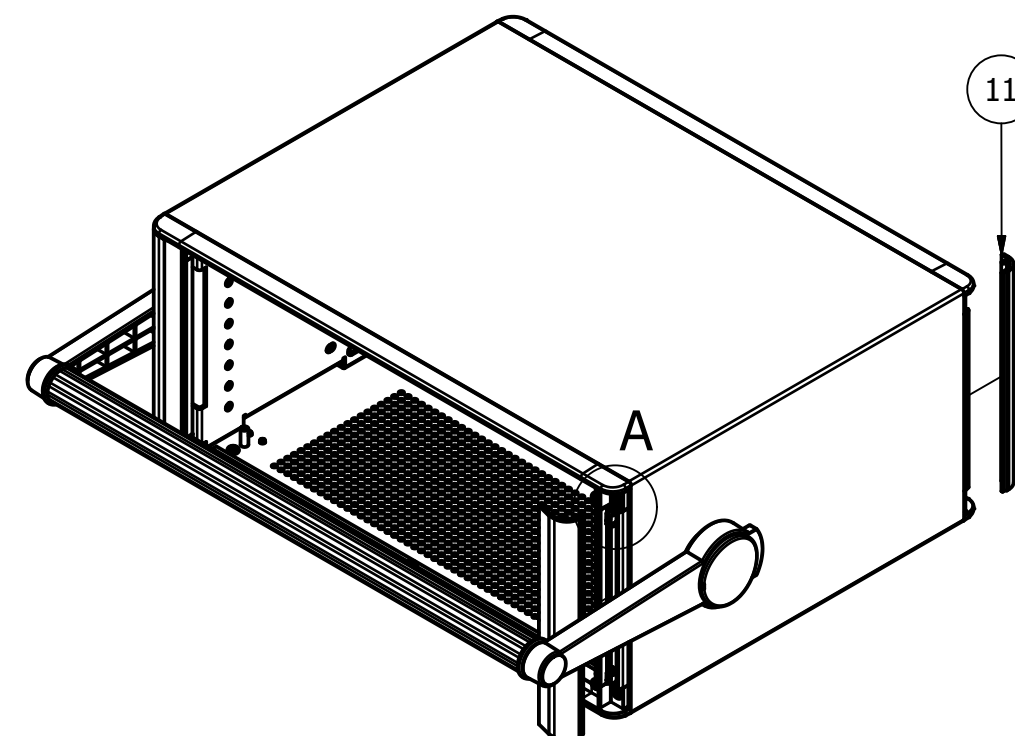
© OKW Enclosures Ltd (Date as shown). This drawing contains proprietary information of OKW Enclosures Ltd and is tendered subject to the following conditions. The information be retained in confidence, not be reproduced or copied, and not be used or incorporated in any product, unless permission is obtained in writing from OKW Enclosures Ltd.

A



PARTS LIST

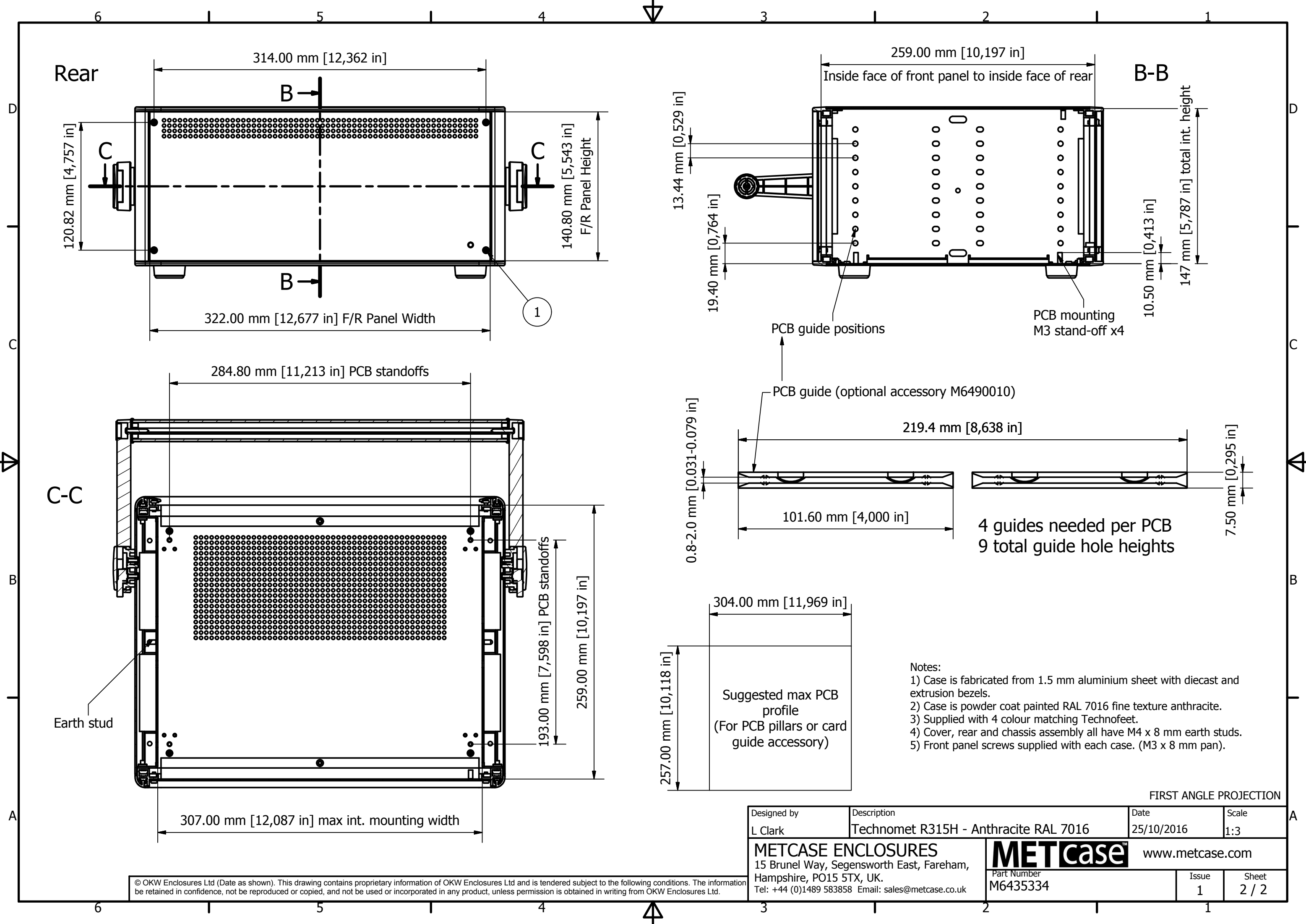
ITEM	QTY	PART NUMBER	DESCRIPTION
1	8	M3x8mm Pan	Rear/Front Panel Screws
2	8	M4x16mm CSK	Bezel Assembly Screws
3	2	M3x6mm CSK	Base Panel Screws
4	8	M6420000	Clips for Trims
5	4	M6420104	Technofeet
6	1	M6402824	Wrap Around Cover
7	1	M6403384	Base/Internal Sides Sub-Assy
8	1	M6403484	Rear Panel - 1.5 mm thick
9	2	M6401084	Front/Rear Bezel
10	2	M6400056	Front Trim
11	2	M6400076	Rear Trim
12	2	AS055782	Bail Arm Kit
13	1	M6404354	Handle Bar



Side

FIRST ANGLE PROJECTION

Designed by L Clark	Description Technomet R315H - Anthracite RAL 7016	Date 25/10/2016	Scale 1:3
<b>METCASE ENCLOSURES</b> 15 Brunel Way, Segensworth East, Fareham, Hampshire, PO15 5TX, UK. Tel: +44 (0)1489 583858 Email: sales@metcase.co.uk		<b>METcase™</b> www.metcase.com Part Number M6435334	
		Issue 1	Sheet 1 / 2



Rear

B-B

C-C

Earth stud

314.00 mm [12,362 in]

259.00 mm [10,197 in]

120.82 mm [4,757 in]

140.80 mm [5,543 in]  
F/R Panel Height

322.00 mm [12,677 in] F/R Panel Width

13.44 mm [0,529 in]

19.40 mm [0,764 in]

10.50 mm [0,413 in]

147 mm [5,787 in] total int. height

284.80 mm [11,213 in] PCB standoffs

PCB guide positions

PCB mounting  
M3 stand-off x4

PCB guide (optional accessory M6490010)

219.4 mm [8,638 in]

0.8-2.0 mm [0.031-0.079 in]

101.60 mm [4,000 in]

4 guides needed per PCB  
9 total guide hole heights

7.50 mm [0,295 in]

304.00 mm [11,969 in]

257.00 mm [10,118 in]

Suggested max PCB profile  
(For PCB pillars or card guide accessory)

Notes:

- 1) Case is fabricated from 1.5 mm aluminium sheet with diecast and extrusion bezels.
- 2) Case is powder coat painted RAL 7016 fine texture anthracite.
- 3) Supplied with 4 colour matching Technofeet.
- 4) Cover, rear and chassis assembly all have M4 x 8 mm earth studs.
- 5) Front panel screws supplied with each case. (M3 x 8 mm pan).

FIRST ANGLE PROJECTION

Designed by L Clark	Description Technomet R315H - Anthracite RAL 7016	Date 25/10/2016	Scale 1:3
------------------------	--	--------------------	--------------

**METCASE ENCLOSURES**  
15 Brunel Way, Segensworth East, Fareham,  
Hampshire, PO15 5TX, UK.  
Tel: +44 (0)1489 583858 Email: sales@metcase.co.uk

<b>METcase</b> www.metcase.com	Part Number M6435334	Issue 1	Sheet 2 / 2
-----------------------------------	-------------------------	------------	----------------

© OKW Enclosures Ltd (Date as shown). This drawing contains proprietary information of OKW Enclosures Ltd and is tendered subject to the following conditions. The information be retained in confidence, not be reproduced or copied, and not be used or incorporated in any product, unless permission is obtained in writing from OKW Enclosures Ltd.