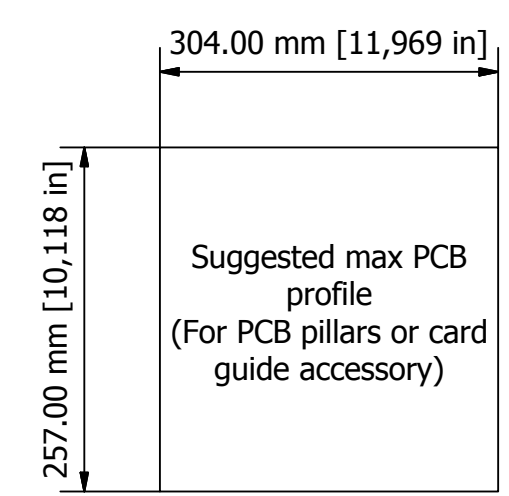
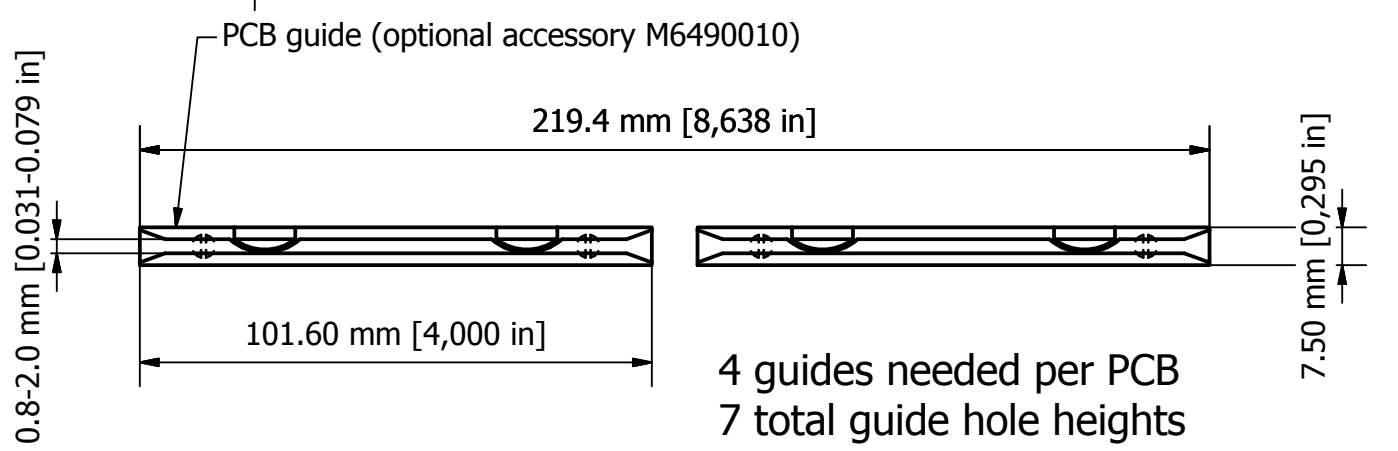
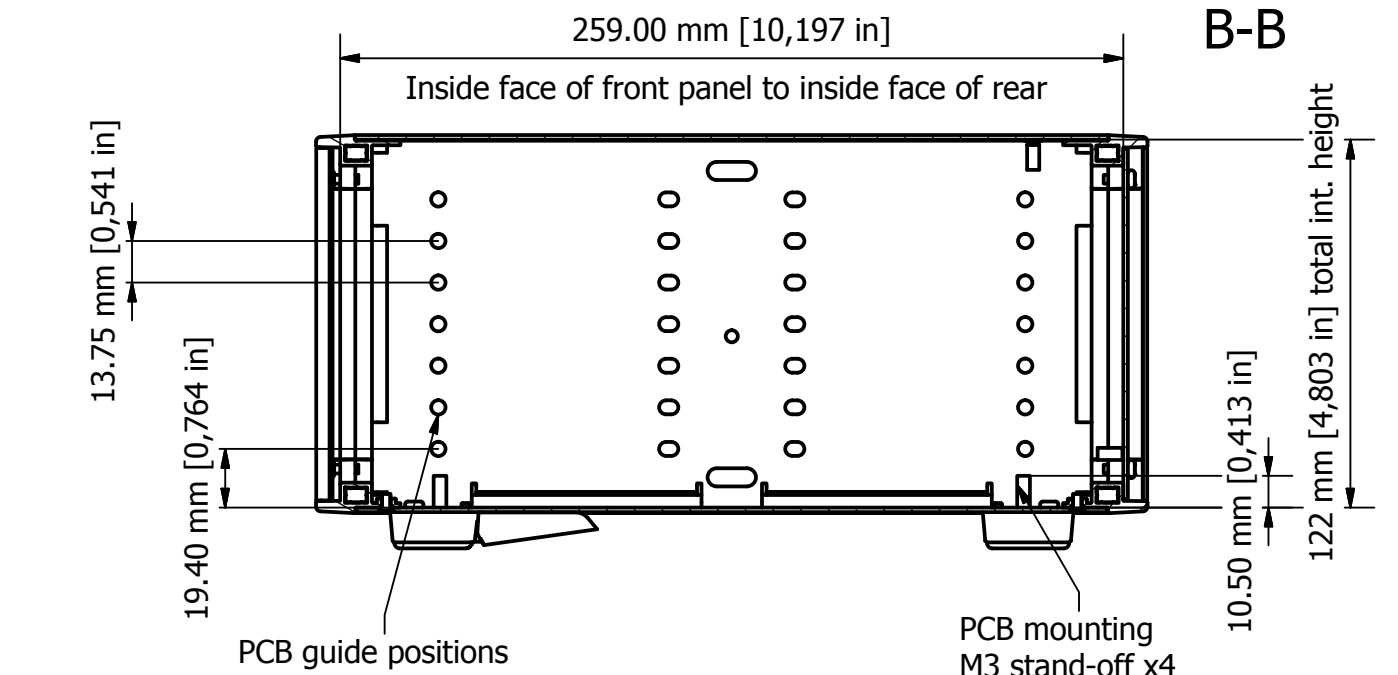
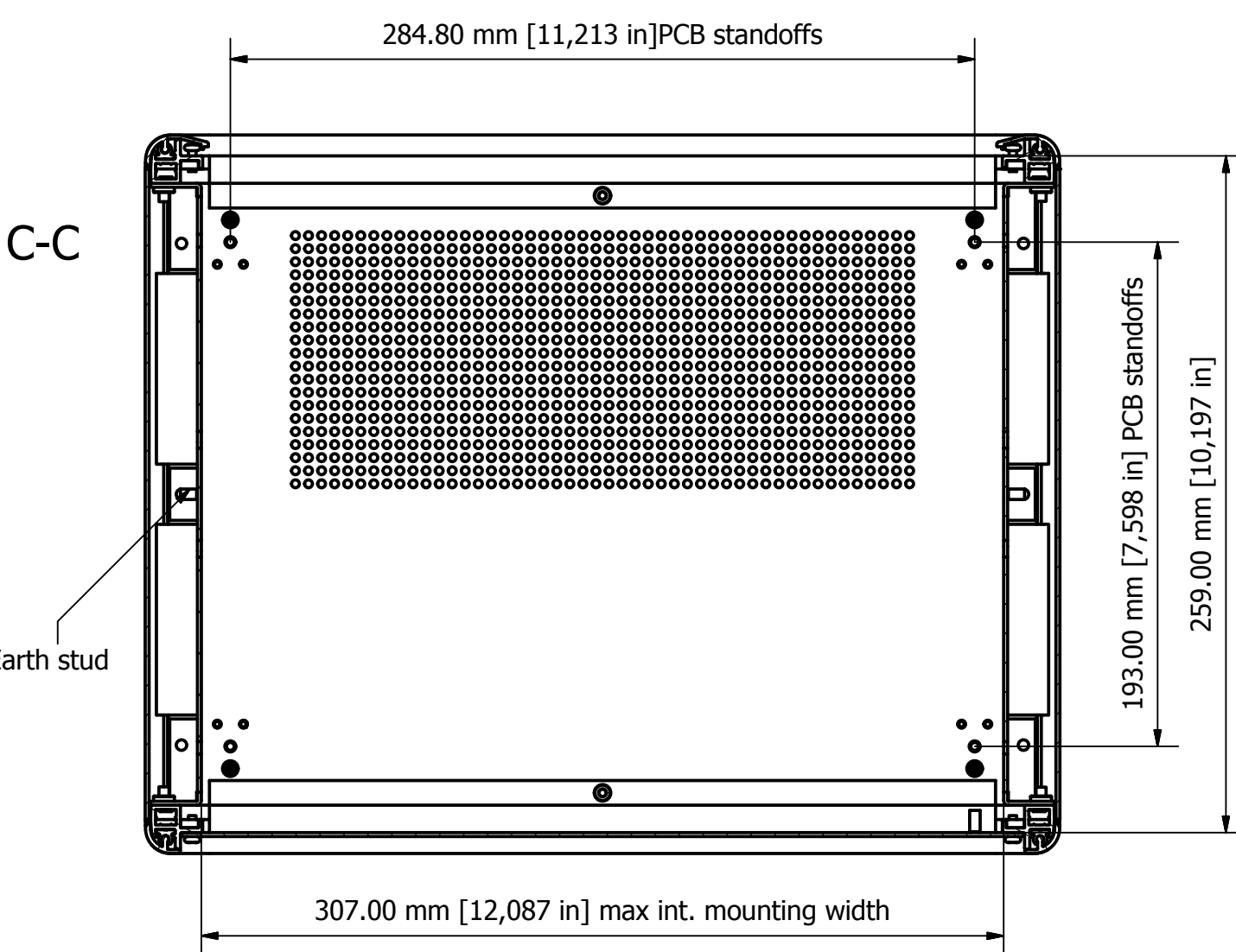
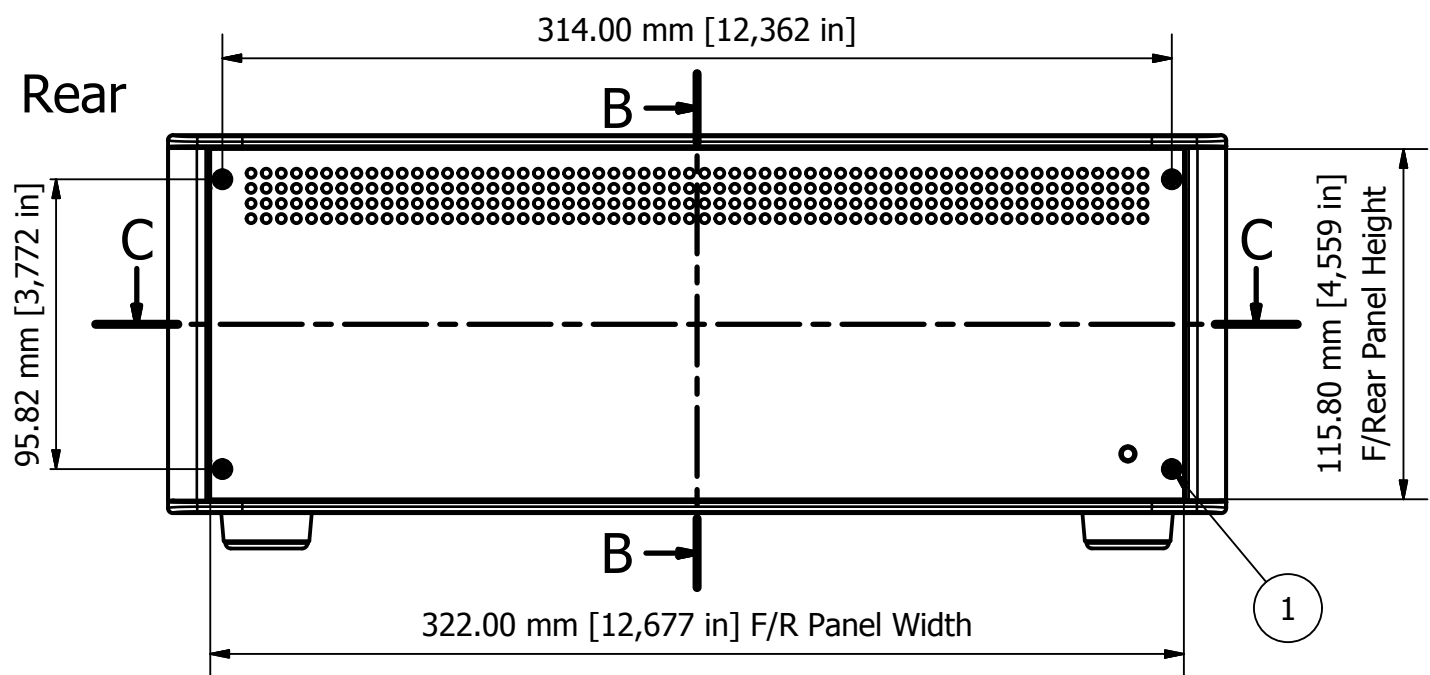
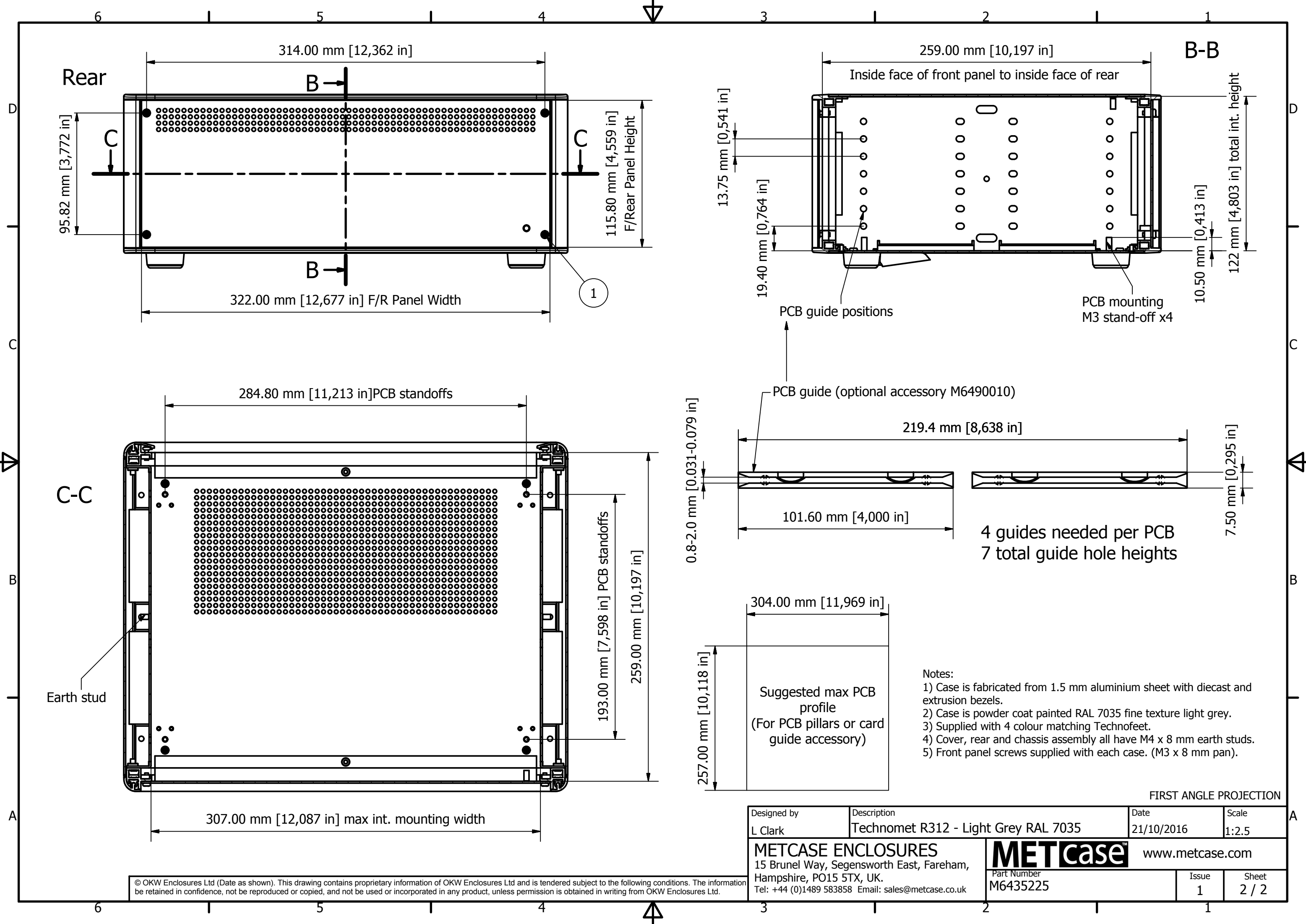


Front panel (M6400706) sold separately

© OKW Enclosures Ltd (Date as shown). This drawing contains proprietary information of OKW Enclosures Ltd and is tendered subject to the following conditions. The information be retained in confidence, not be reproduced or copied, and not be used or incorporated in any product, unless permission is obtained in writing from OKW Enclosures Ltd.

Designed by L Clark	Description Technomet R312 - Light Grey RAL 7035	Date 21/10/2016	Scale 1:2.5
<b>METCASE ENCLOSURES</b> 15 Brunel Way, Segensworth East, Fareham, Hampshire, PO15 5TX, UK. Tel: +44 (0)1489 583858 Email: sales@metcase.co.uk		<b>METcase™</b> www.metcase.com Part Number <b>M6435225</b>	
		Issue 1	Sheet 1 / 2



- Notes:**
- 1) Case is fabricated from 1.5 mm aluminium sheet with diecast and extrusion bezels.
  - 2) Case is powder coat painted RAL 7035 fine texture light grey.
  - 3) Supplied with 4 colour matching Technofeet.
  - 4) Cover, rear and chassis assembly all have M4 x 8 mm earth studs.
  - 5) Front panel screws supplied with each case. (M3 x 8 mm pan).

FIRST ANGLE PROJECTION

Designed by L Clark	Description Technomet R312 - Light Grey RAL 7035	Date 21/10/2016	Scale 1:2.5
<b>METCASE ENCLOSURES</b> 15 Brunel Way, Segensworth East, Fareham, Hampshire, PO15 5TX, UK. Tel: +44 (0)1489 583858 Email: sales@metcase.co.uk		<b>METcase™</b> www.metcase.com Part Number <b>M6435225</b>	
		Issue 1	Sheet 2 / 2

© OKW Enclosures Ltd (Date as shown). This drawing contains proprietary information of OKW Enclosures Ltd and is tendered subject to the following conditions. The information be retained in confidence, not be reproduced or copied, and not be used or incorporated in any product, unless permission is obtained in writing from OKW Enclosures Ltd.