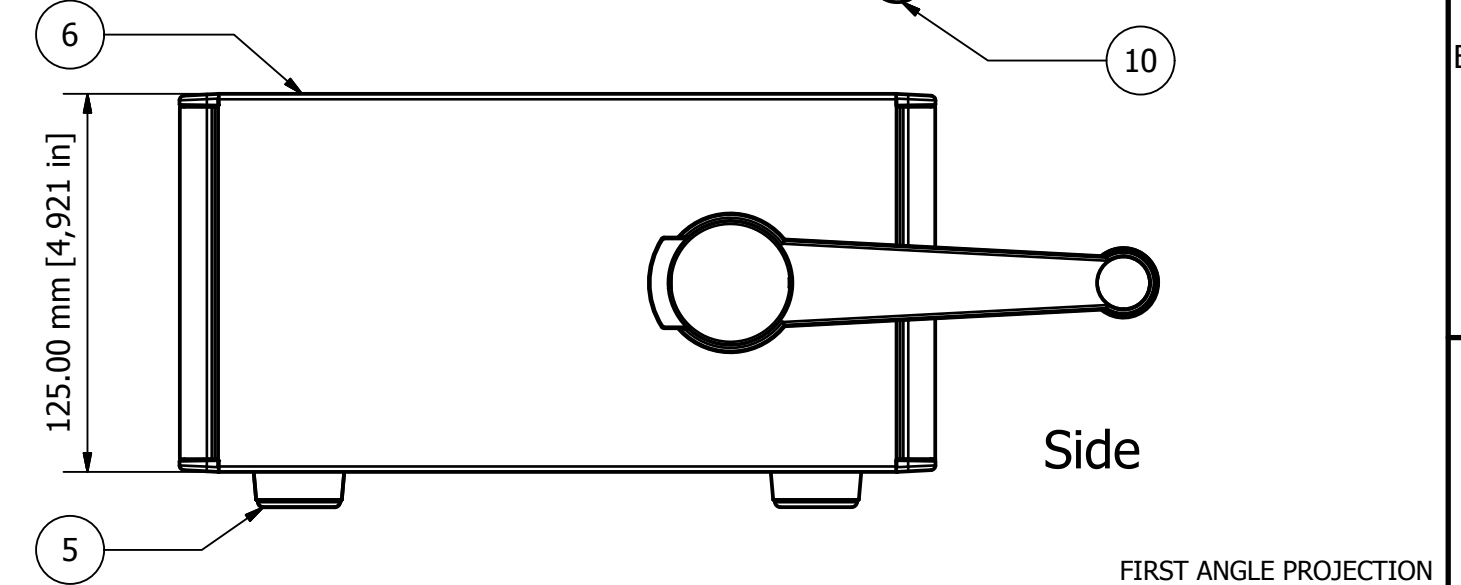
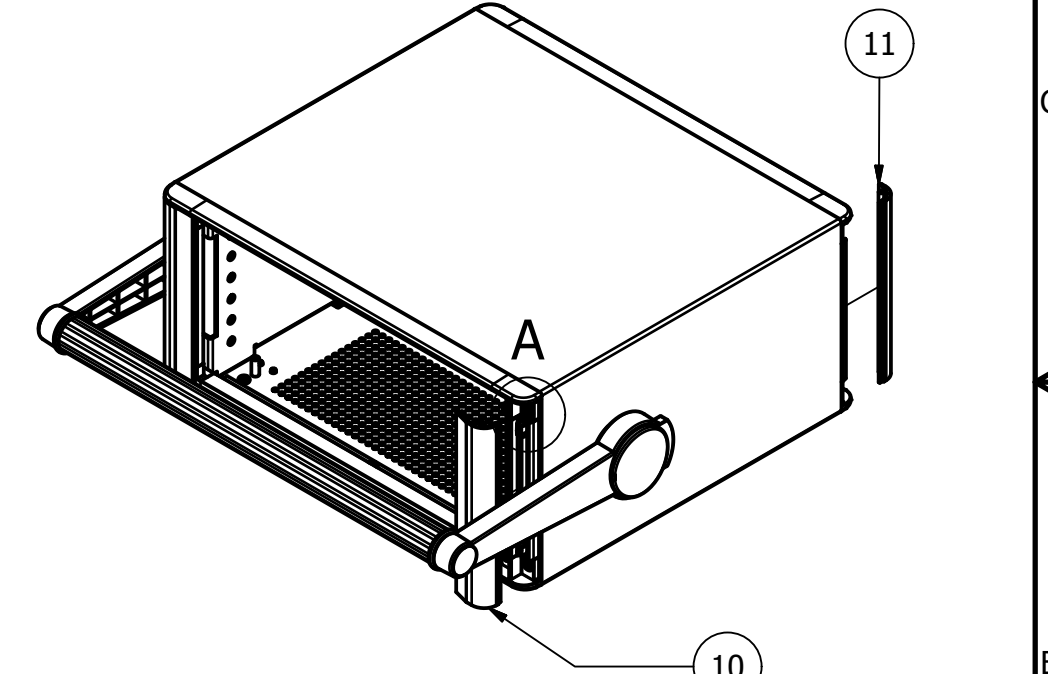


PARTS LIST			
ITEM	QTY	PART NUMBER	DESCRIPTION
1	8	M3x8mm Pan	Rear Panel Screws
2	8	M4x16mm CSK	Bezel Assembly Screws
3	2	M3x6mm CSK	Base Panel Screws
4	8	M6420000	Clip for Trims
5	4	M6420104	Technofeet
6	1	M6402424	Wrap Around Cover
7	1	M6403344	Base/Internal Sides Sub Assy
8	1	M6403444	Rear Panel 1.5 mm Thick
9	2	M6401044	Front/Rear Bezel
10	2	M6400054	Front Trim
11	2	M6400074	Rear Trim
12	2	AS055782	Bail Arm Kit
13	1	M6404274	Handle Bar

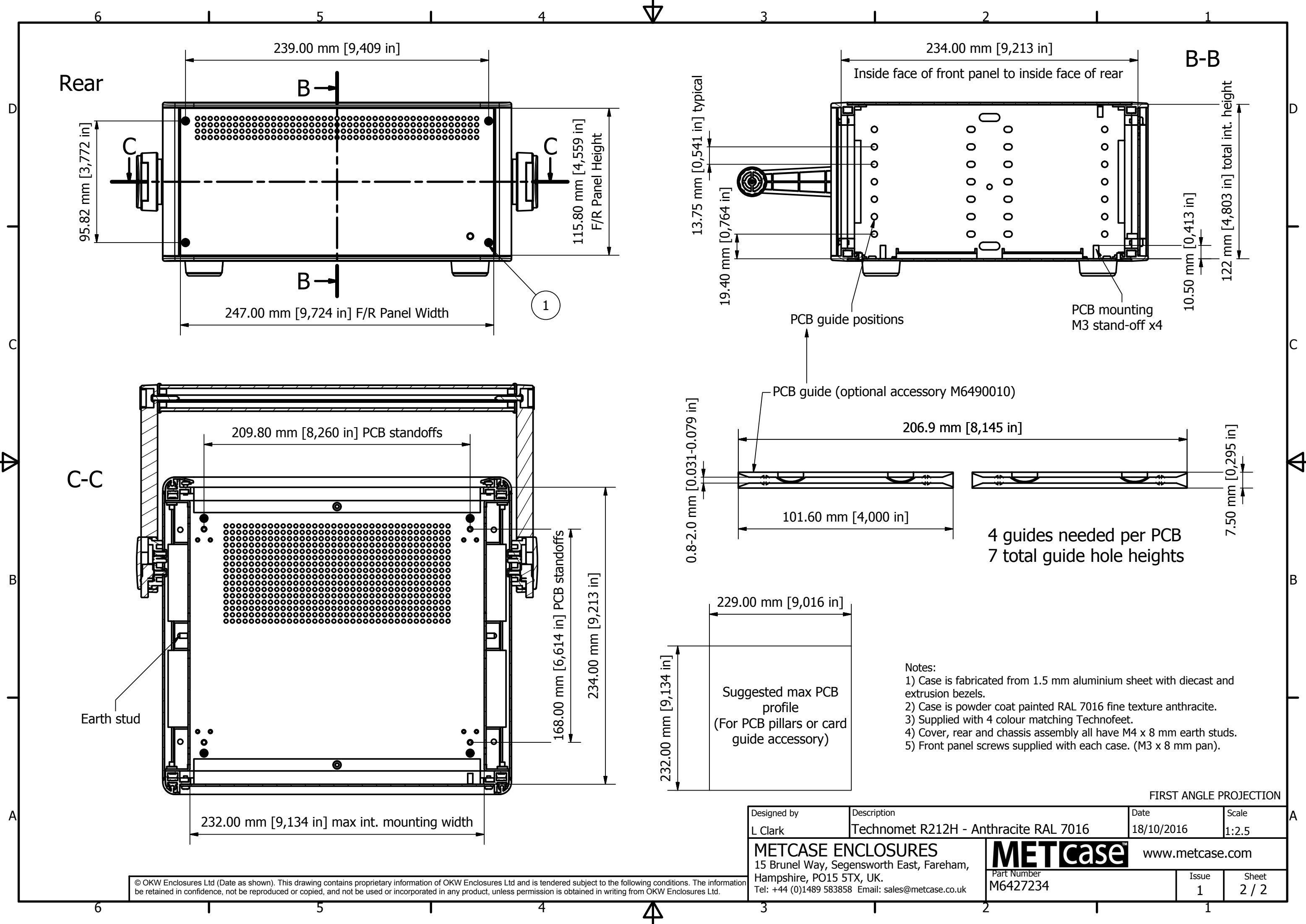


Front panel (M6400703) sold separately

© OKW Enclosures Ltd (Date as shown). This drawing contains proprietary information of OKW Enclosures Ltd and is tendered subject to the following conditions. The information be retained in confidence, not be reproduced or copied, and not be used or incorporated in any product, unless permission is obtained in writing from OKW Enclosures Ltd.

Designed by L Clark	Description Technomet R212H - Anthracite RAL 7016	Date 18/10/2016	Scale 1:2.5
<b>METCASE ENCLOSURES</b> 15 Brunel Way, Segensworth East, Fareham, Hampshire, PO15 5TX, UK. Tel: +44 (0)1489 583858 Email: sales@metcase.co.uk		<b>METcase™</b> www.metcase.com Part Number <b>M6427234</b>	
		Issue 1	Sheet 1 / 2

FIRST ANGLE PROJECTION



FIRST ANGLE PROJECTION

Designed by L Clark	Description Technomet R212H - Anthracite RAL 7016	Date 18/10/2016	Scale 1:2.5
<b>METCASE ENCLOSURES</b> 15 Brunel Way, Segensworth East, Fareham, Hampshire, PO15 5TX, UK. Tel: +44 (0)1489 583858 Email: sales@metcase.co.uk		<b>METcase™</b> www.metcase.com Part Number <b>M6427234</b>	
		Issue 1	Sheet 2 / 2

© OKW Enclosures Ltd (Date as shown). This drawing contains proprietary information of OKW Enclosures Ltd and is tendered subject to the following conditions. The information be retained in confidence, not be reproduced or copied, and not be used or incorporated in any product, unless permission is obtained in writing from OKW Enclosures Ltd.