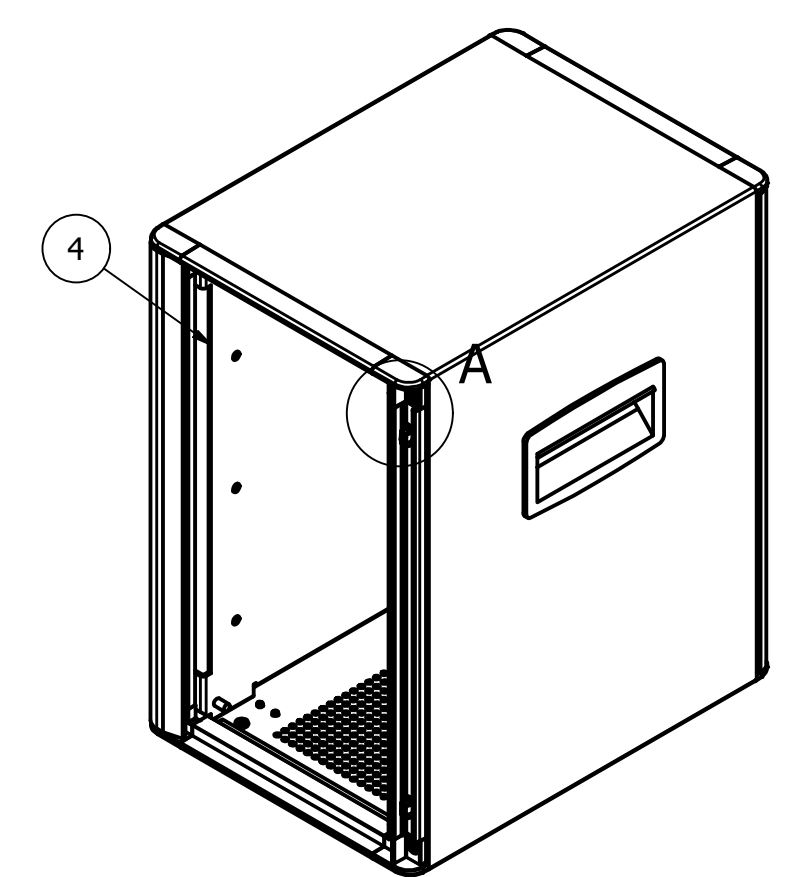
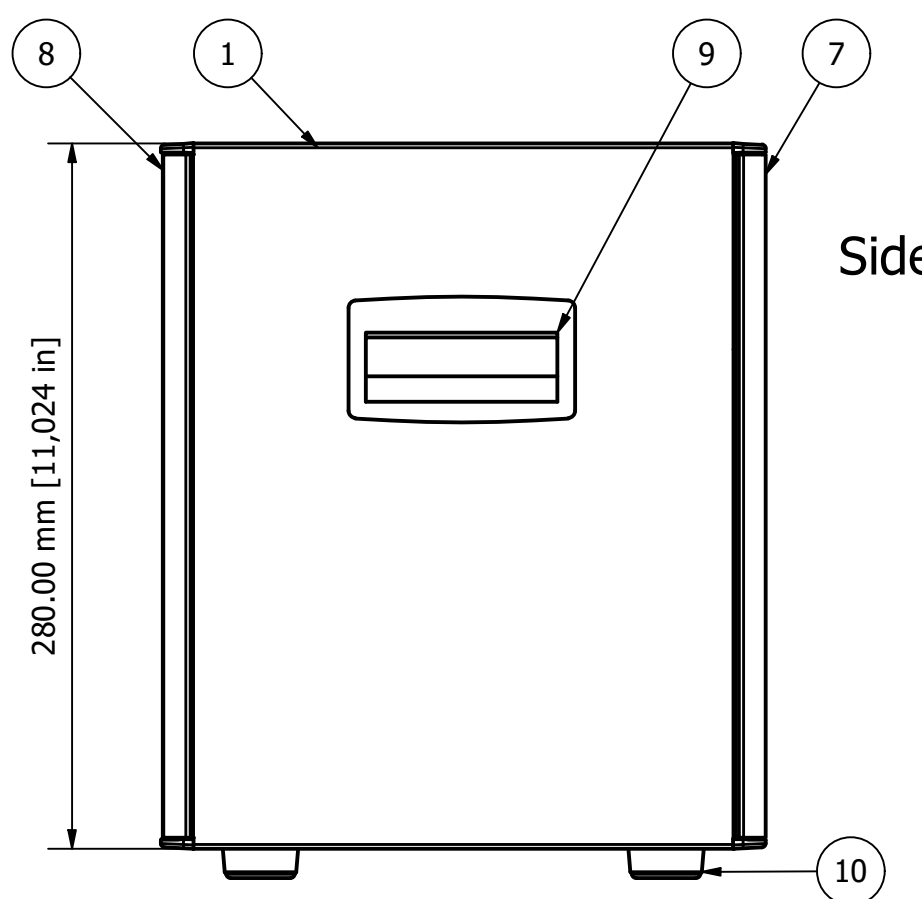
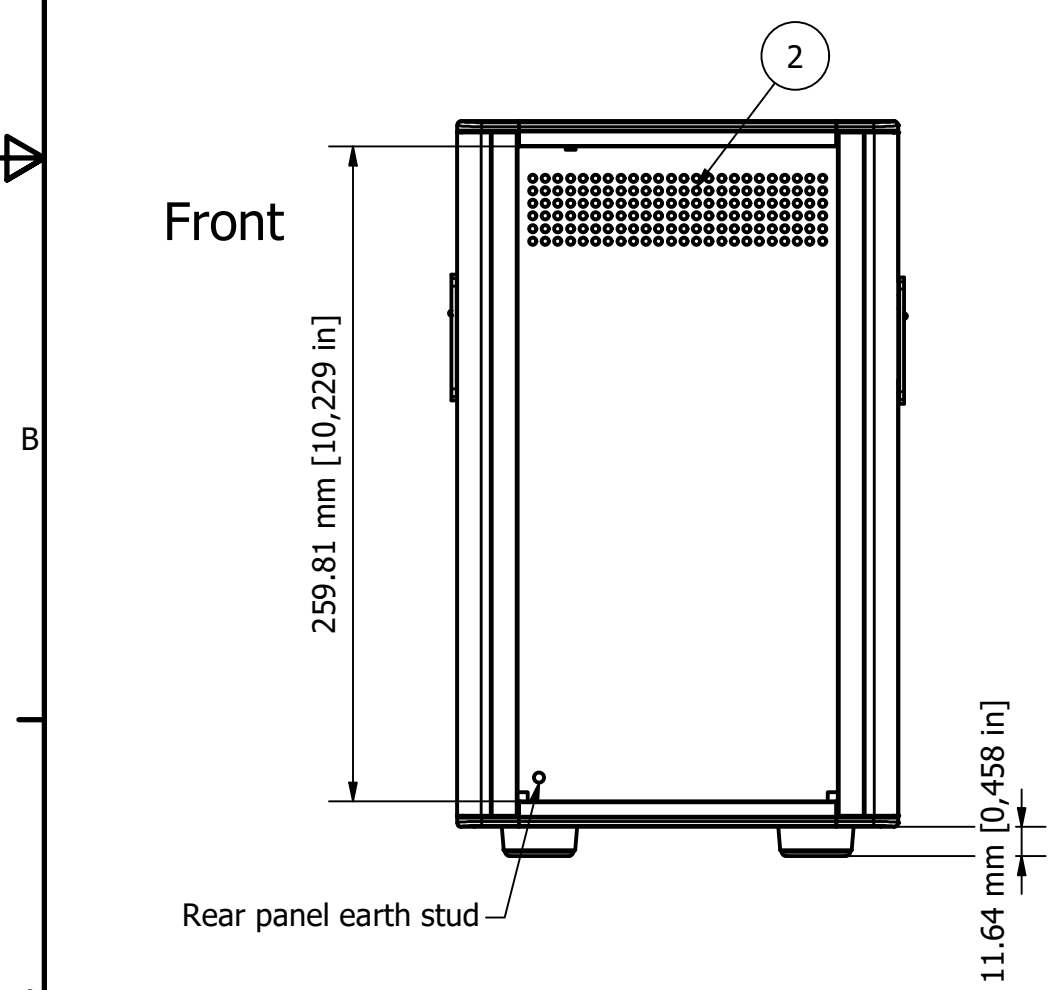


PARTS LIST			
ITEM	QTY	PART NUMBER	DESCRIPTION
1	1	M6402042	Wrap Around Cover
2	1	M6403412	Rear panel - 1.5mm Thick
3	1	M6403112	Base Panel
4	2	M6403022	Chassis
5	2	M6400112	Front/Rear Bezel
6	8	M6420000	Clip for Trims
7	2	M6400047	Front Trim
8	2	M6400067	Rear Trim
9	2	M6000036	Side Handles
10	4	M6420206 flat	Flat feet
11	12	M3x8mm Pan	Rear/Front Panel Screws
12	8	M4x16 Screw	Bezel Assembly Screws
13	4	M3x6mm CSK	Base Panel Screws

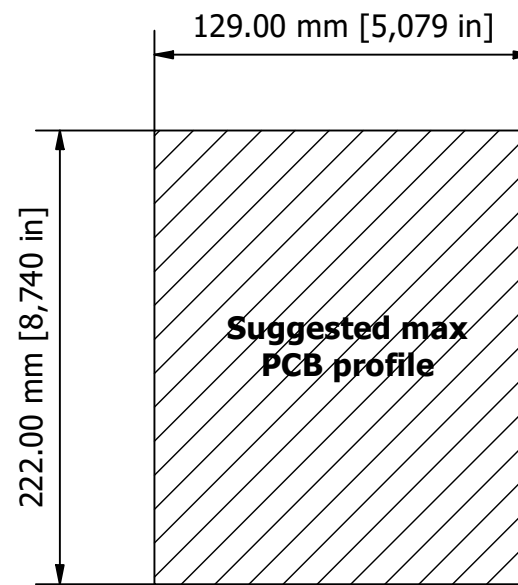
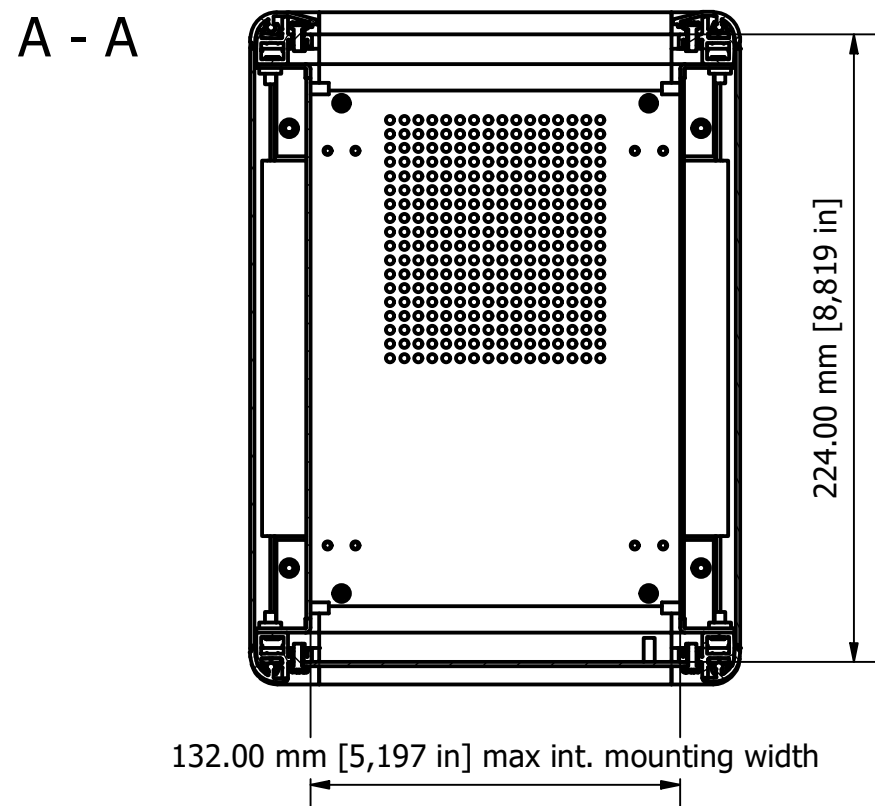
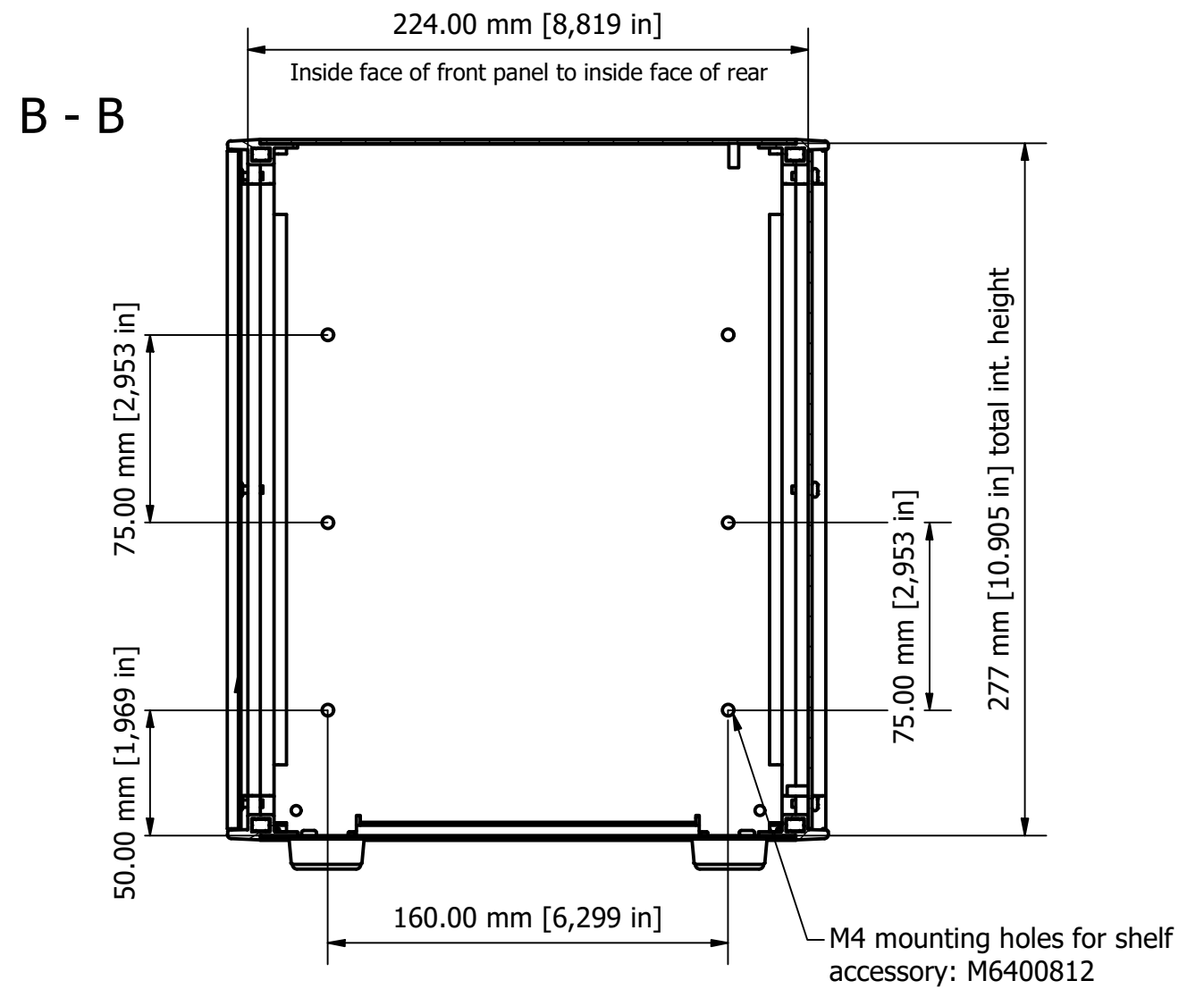
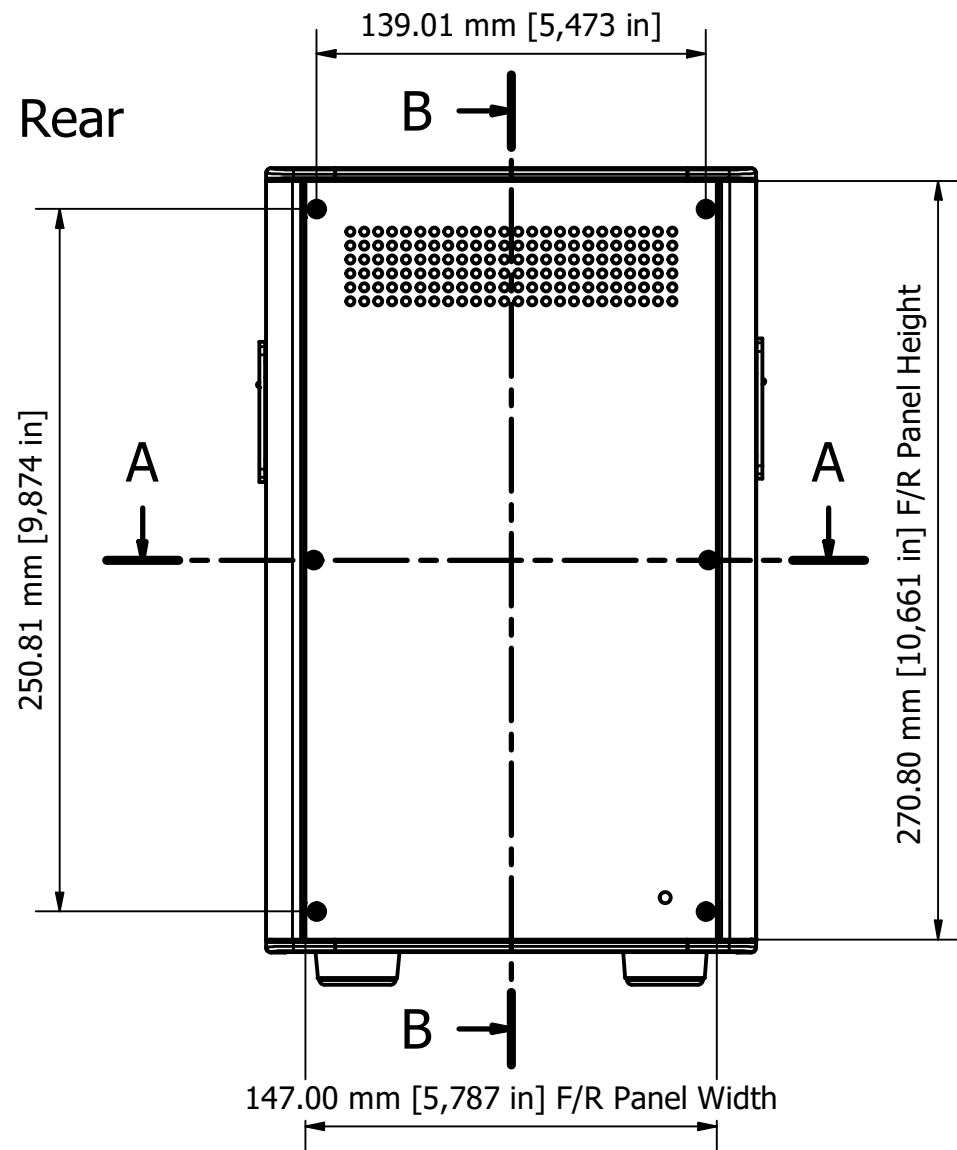


Accessories: Front panel sold separately: M6400712
Shelves sold separately: M6400812

FIRST ANGLE PROJECTION

Designed by J Moody	Description Technomet TX124S - Anthracite RAL 7016	Date 20/02/2025	Scale 1:3
METCASE ENCLOSURES 15 Brunel Way, Segensworth East, Fareham, Hampshire, PO15 5TX, UK. Tel: +44 (0)1489 583858 Email: sales@metcase.co.uk		METcase™ www.metcase.com Part Number M6417654	
		Issue 1	Sheet 1 / 2

© OKW Enclosures Ltd (Date as shown). This drawing contains proprietary information of OKW Enclosures Ltd and is tendered subject to the following conditions. The information be retained in confidence, not be reproduced or copied, and not be used or incorporated in any product, unless permission is obtained in writing from OKW Enclosures Ltd.



Notes:

- 1) Case is fabricated from 1.5 mm aluminium sheet with diecast and extrusion bezels.
- 2) Case is powder coat painted RAL 7016 fine texture anthracite.
- 3) Supplied with 4 colour matching Technofeet.
- 4) Cover, rear and chassis assembly all have M4 x 8 mm earth studs.
- 5) Front panel screws supplied with each case. (M3 x 8 mm pan).

FIRST ANGLE PROJECTION

Designed by J Moody	Description Technomet TX124S - Anthracite RAL 7016	Date 20/02/2025	Scale 1:3
METCASE ENCLOSURES 15 Brunel Way, Segensworth East, Fareham, Hampshire, PO15 5TX, UK. Tel: +44 (0)1489 583858 Email: sales@metcase.co.uk		METcase™ www.metcase.com Part Number M6417654	
		Issue 1	Sheet 2 / 2