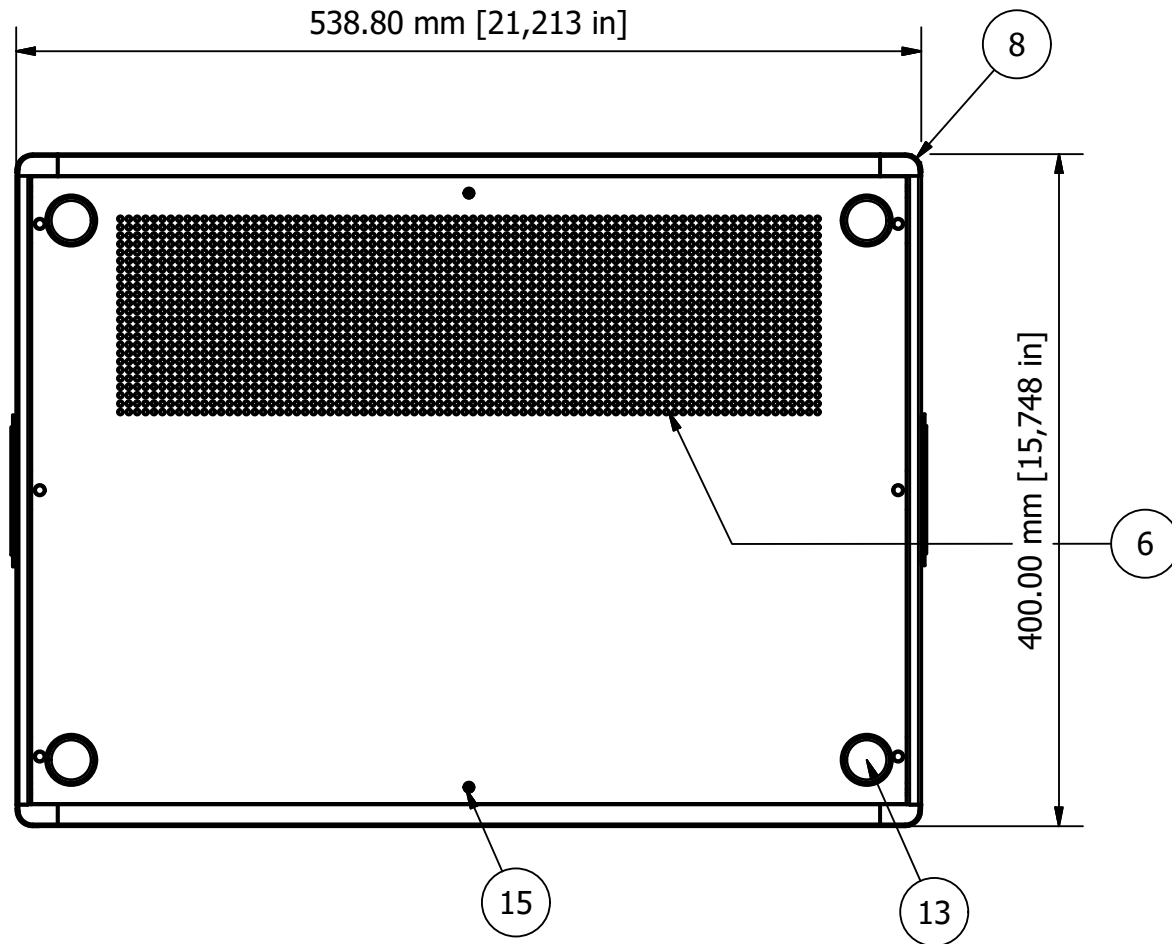
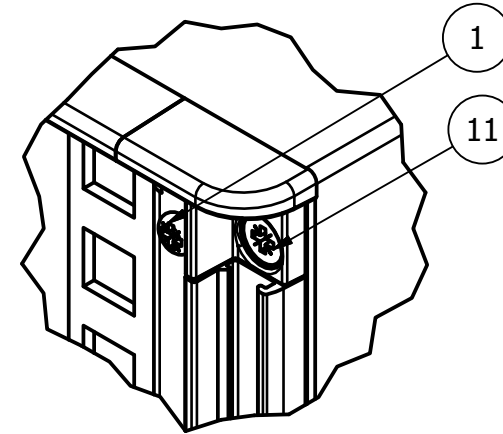


Base

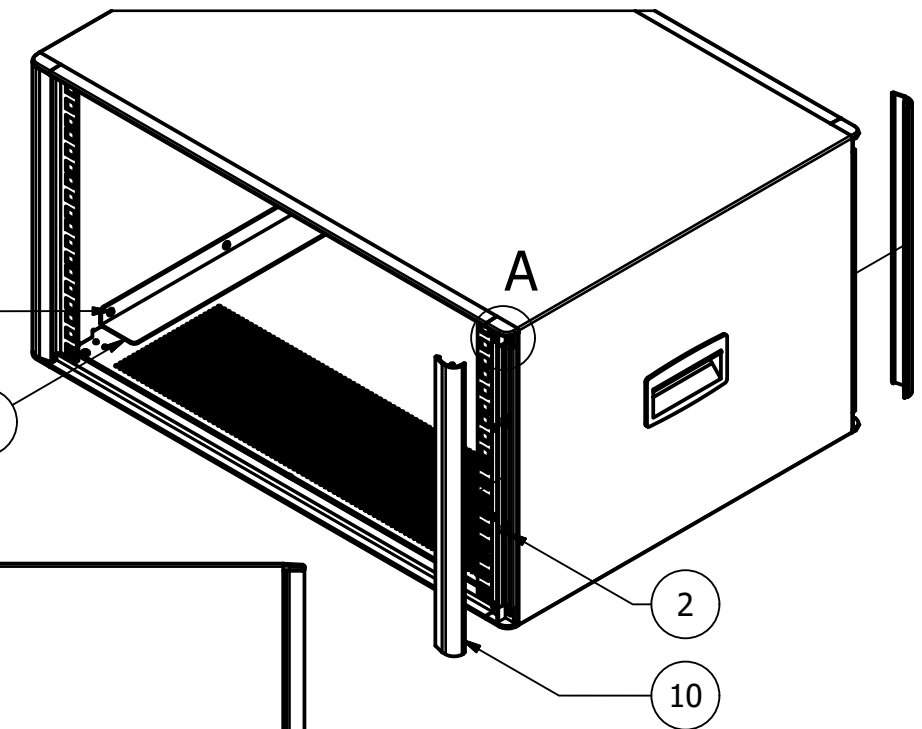
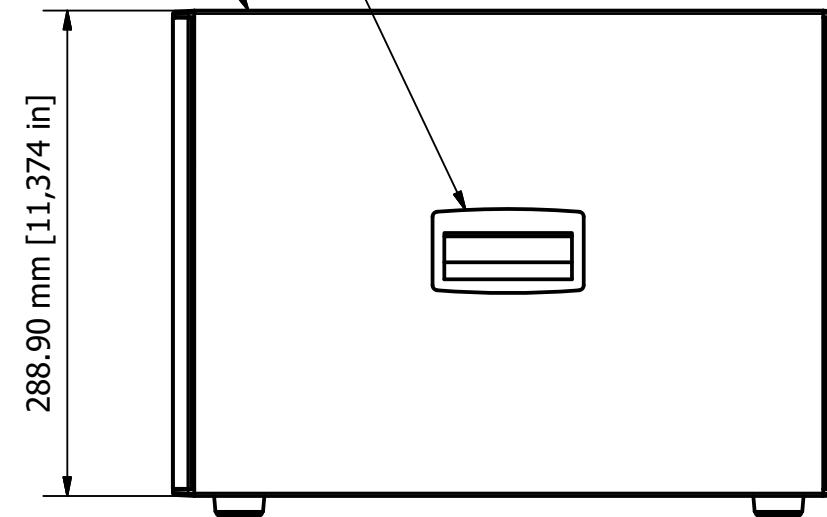
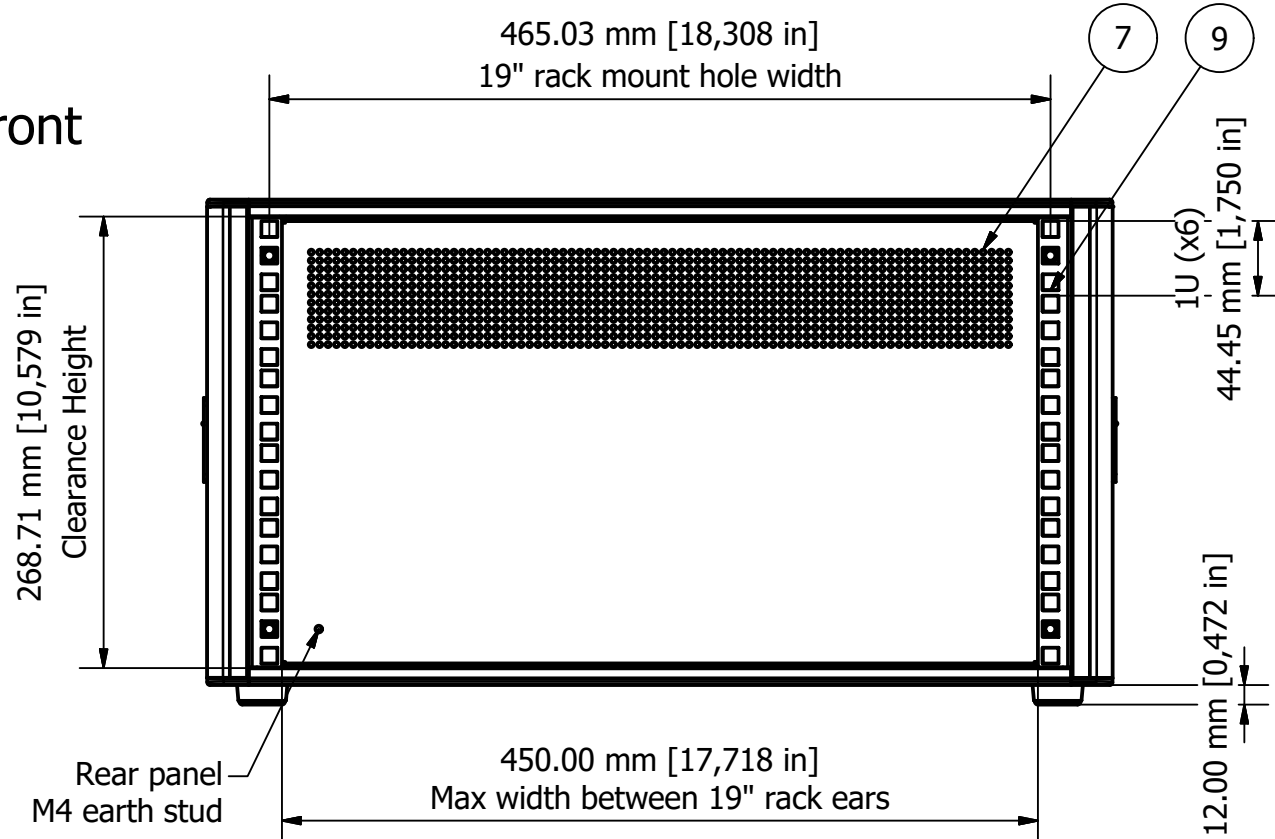


Detail A



PARTS LIST			
ITEM	QTY	PART NUMBER	DESCRIPTION
1	16	M3x8mm Pan	19" Rack Bracket Screws
2	8	M6420000	Trim Clips
3	2	M6604100	Support Runners
4	6	M4x12mm Pan	Support Runner Screws
5	1	M6602006	Cover
6	1	M6603216	Base/Internal Sides Sub-Assy
7	1	M6603406	Rear Panel
8	2	M6600106	Bezel (Front + Rear)
9	4	M6604006	19" Rack Mount Brackets
10	4	M6600016	Trims (Front + Rear)
11	8	M4x16 Screw	Bezel Screws
12	2	M6000039	Side Handles
13	4	M6420104	Technofeet
14	4	M5900016	19" Panel Screw Kit
15	2	M3x6mm CSK	Base Panel Screws

Front

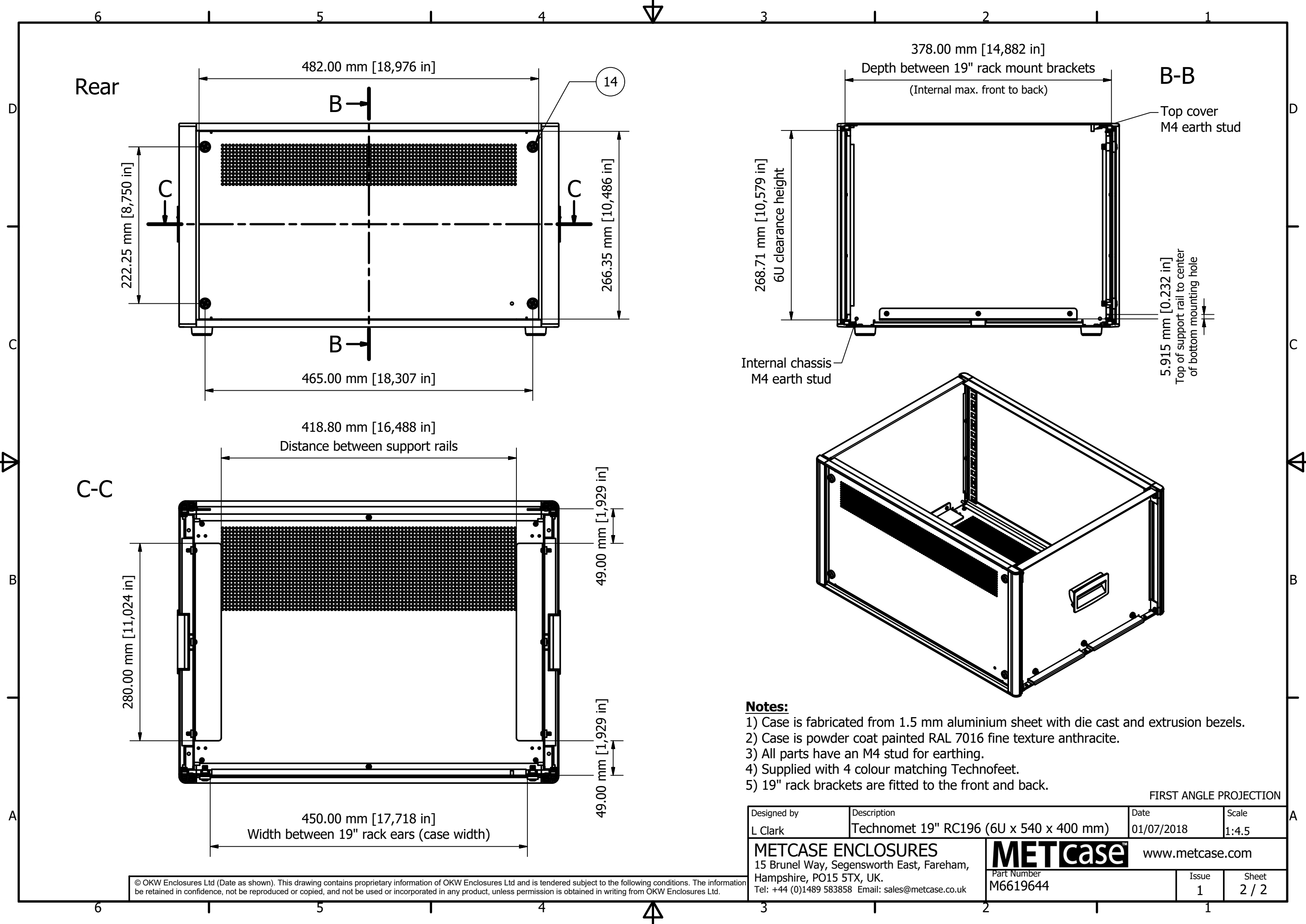


Side

FIRST ANGLE PROJECTION

Designed by L Clark	Description Technomet 19" RC196 (6U x 540 x 400 mm)	Date 01/07/2018	Scale 1:4.5
METCASE ENCLOSURES 15 Brunel Way, Segensworth East, Fareham, Hampshire, PO15 5TX, UK. Tel: +44 (0)1489 583858 Email: sales@metcase.co.uk		METcase™ www.metcase.com Part Number M6619644	
		Issue 1	Sheet 1 / 2

© OKW Enclosures Ltd (Date as shown). This drawing contains proprietary information of OKW Enclosures Ltd and is tendered subject to the following conditions. The information be retained in confidence, not be reproduced or copied, and not be used or incorporated in any product, unless permission is obtained in writing from OKW Enclosures Ltd.



- Notes:**
- 1) Case is fabricated from 1.5 mm aluminium sheet with die cast and extrusion bezels.
 - 2) Case is powder coat painted RAL 7016 fine texture anthracite.
 - 3) All parts have an M4 stud for earthing.
 - 4) Supplied with 4 colour matching Technofeet.
 - 5) 19" rack brackets are fitted to the front and back.

FIRST ANGLE PROJECTION

Designed by L Clark	Description Technomet 19" RC196 (6U x 540 x 400 mm)	Date 01/07/2018	Scale 1:4.5
METCASE ENCLOSURES 15 Brunel Way, Segensworth East, Fareham, Hampshire, PO15 5TX, UK. Tel: +44 (0)1489 583858 Email: sales@metcase.co.uk		METcase™ www.metcase.com Part Number M6619644	
		Issue 1	Sheet 2 / 2

© OKW Enclosures Ltd (Date as shown). This drawing contains proprietary information of OKW Enclosures Ltd and is tendered subject to the following conditions. The information be retained in confidence, not be reproduced or copied, and not be used or incorporated in any product, unless permission is obtained in writing from OKW Enclosures Ltd.