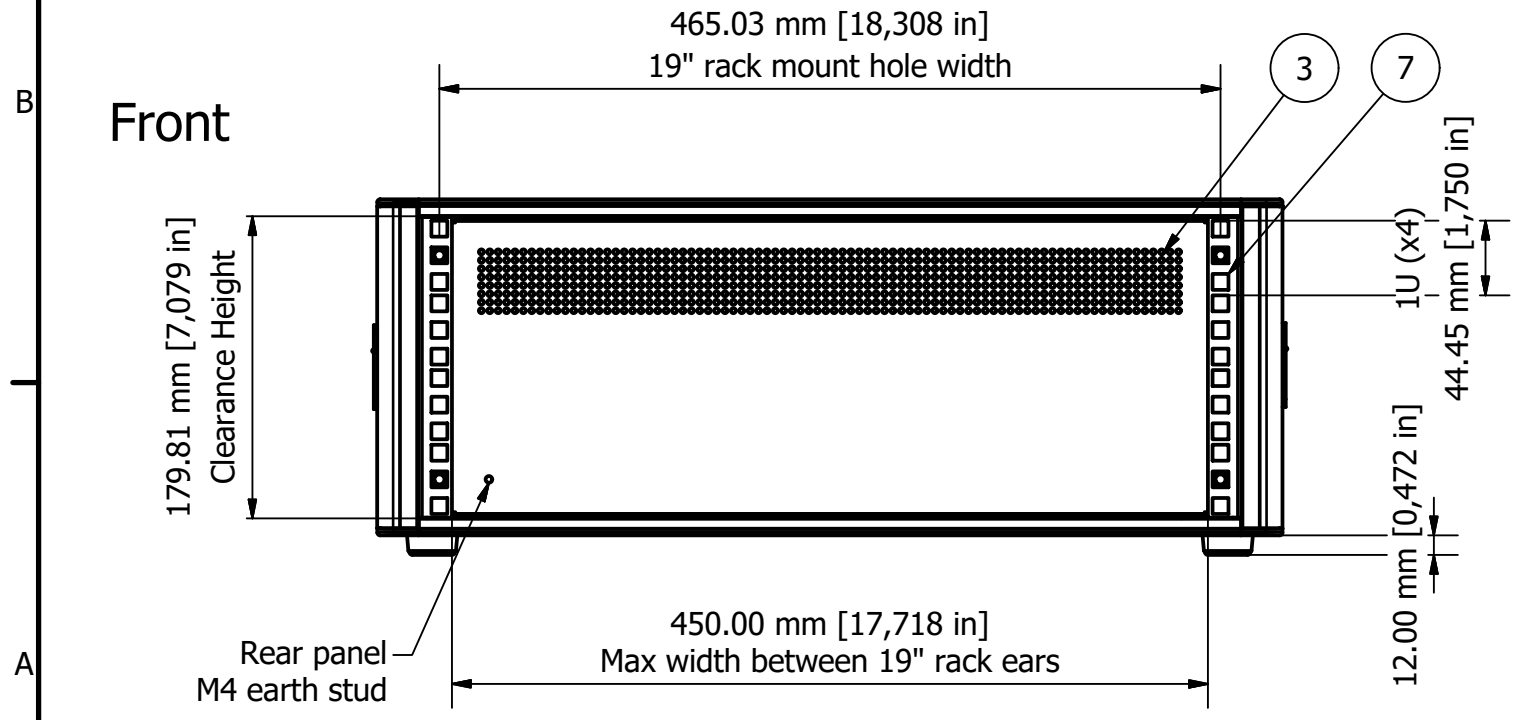
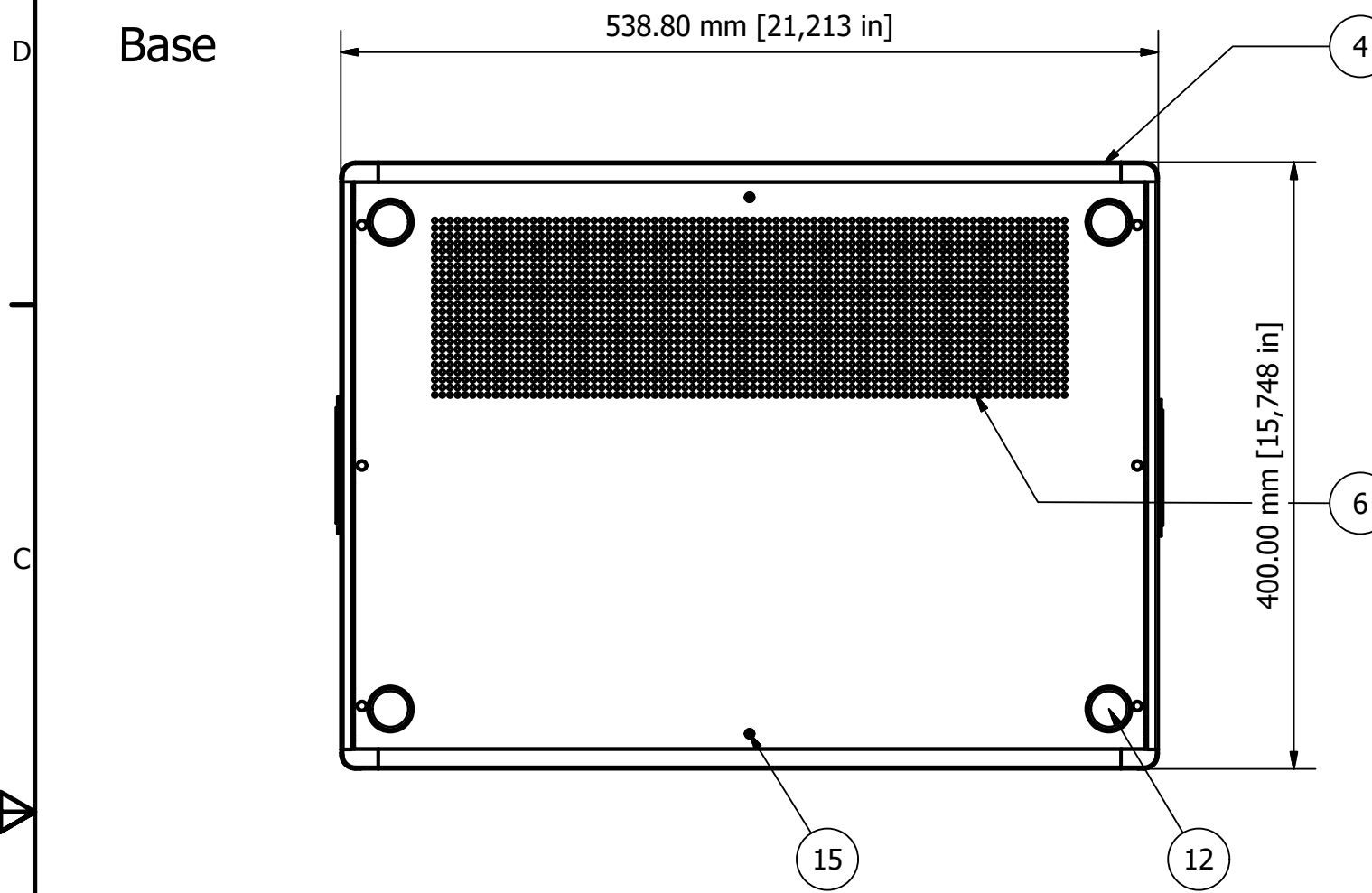
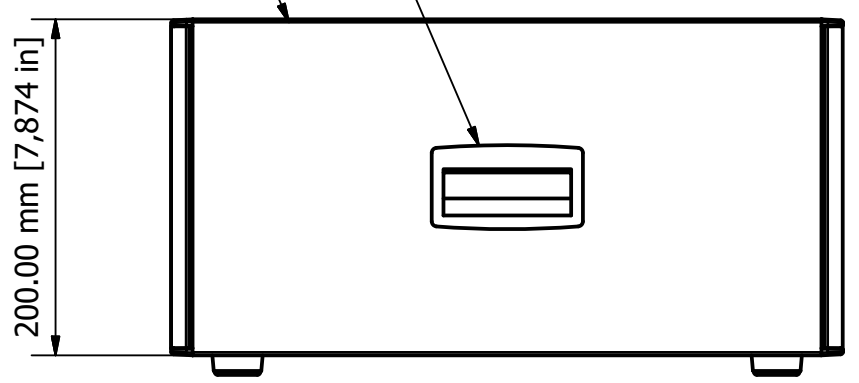
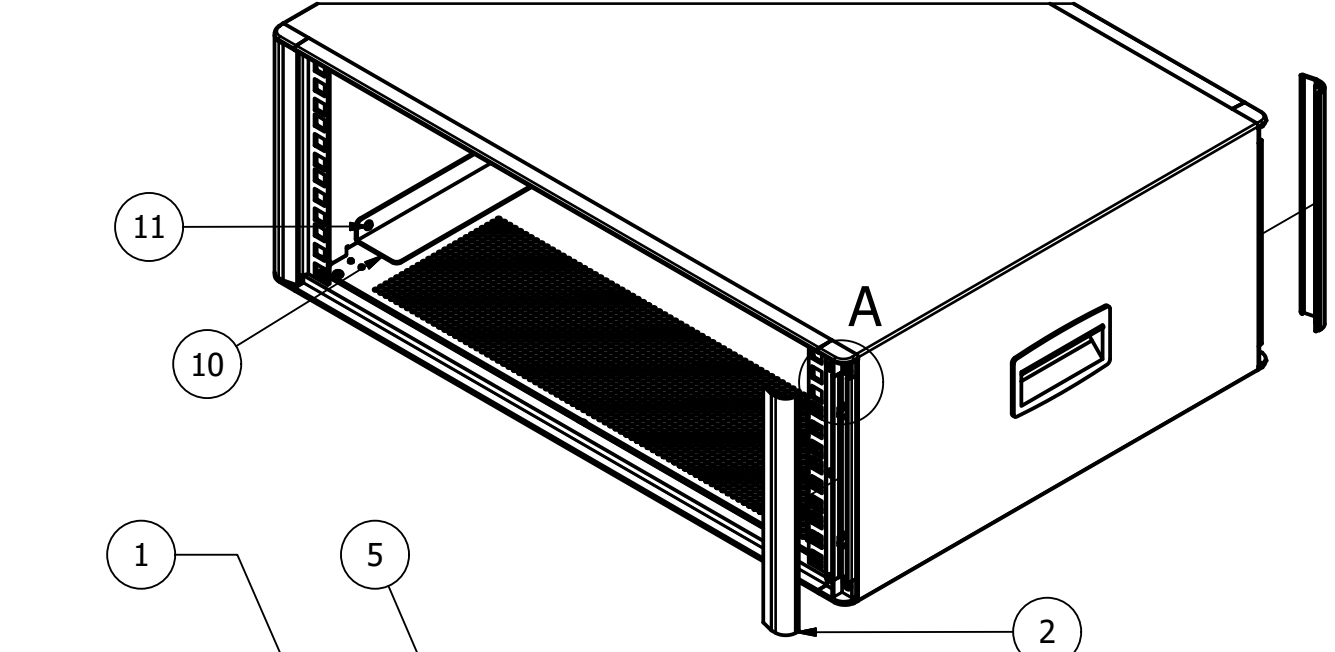
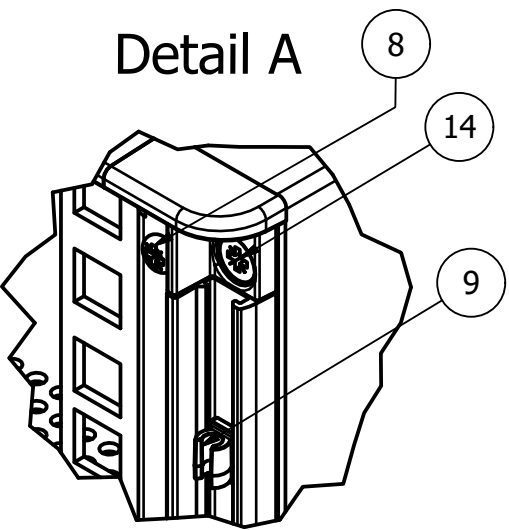


PARTS LIST			
ITEM	QTY	PART NUMBER	DESCRIPTION
1	1	M6602004	Cover
2	4	M6600014	Trims (Front/Rear)
3	1	M6603404	Rear Panel
4	2	M6600104	Bezel (Front/Rear)
5	2	M6000039	Side Handles
6	1	M6603214	Base/Internal Sides Sub Assy
7	4	M6604004	19" Rack Mount Brackets
8	12	M3x8mm Pan	19" Rack Bracket Screws
9	8	M6420000	Trim Clips
10	2	M6604100	Support Runner
11	6	M4x12mm Pan	Support Runner Screws
12	4	M6420104	Technofeet
13	4	M5900016	19" Panel Screw Kit (M6)
14	8	M4x16 CSK	Bezel Fixing Screws
15	2	M3x6mm CSK	Base Panel Screws



FIRST ANGLE PROJECTION

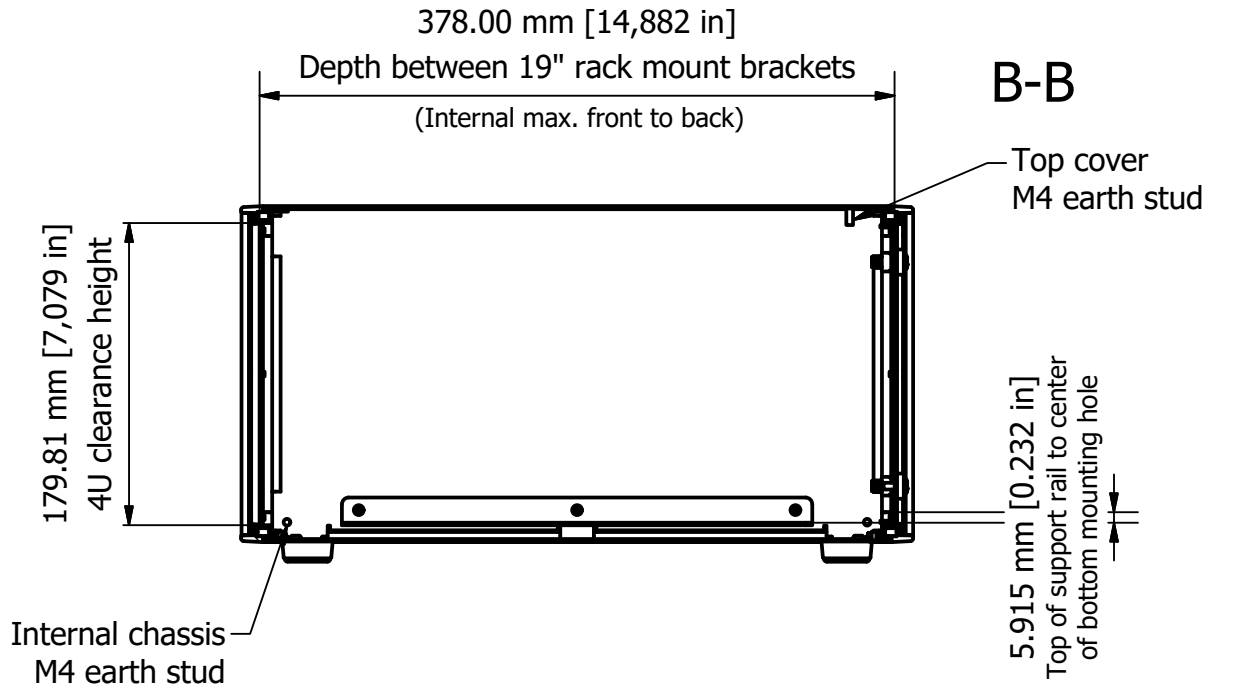
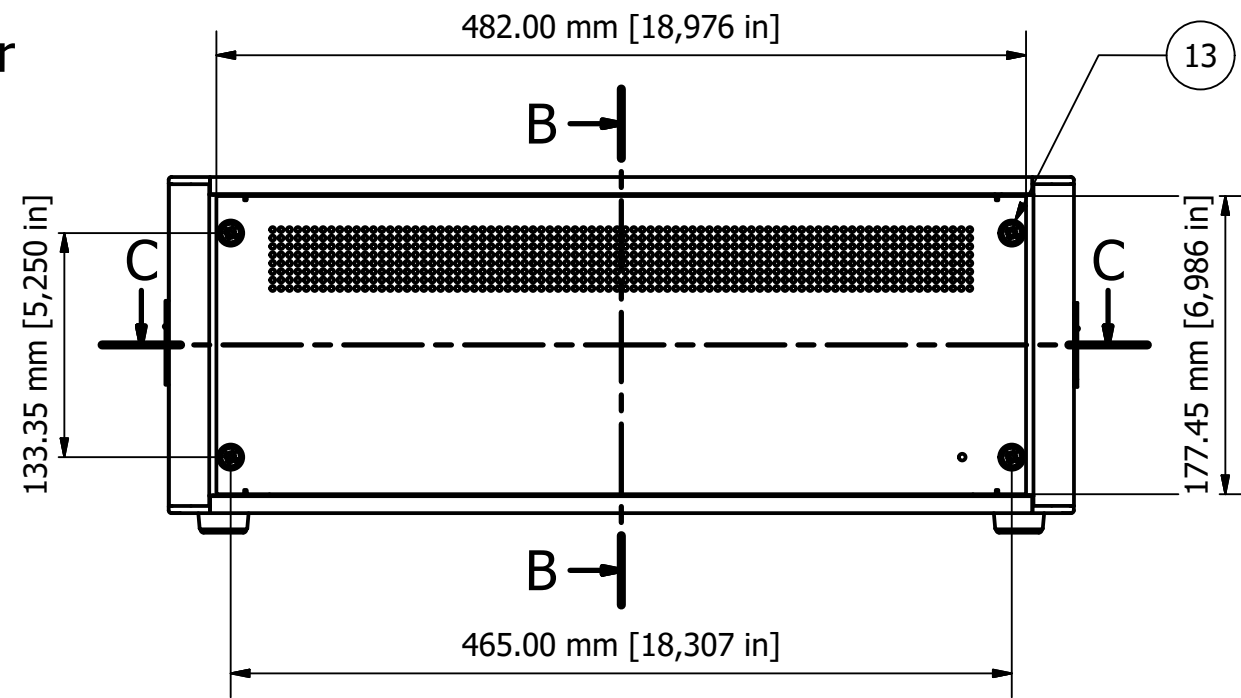
Designed by L Clark	Description Technomet 19" RC194 (4U x 540 x 400 mm)	Date 24/06/2018	Scale 1:4.5
------------------------	--	--------------------	----------------

METCASE ENCLOSURES
 15 Brunel Way, Segensworth East, Fareham,
 Hampshire, PO15 5TX, UK.
 Tel: +44 (0)1489 583858 Email: sales@metcase.co.uk

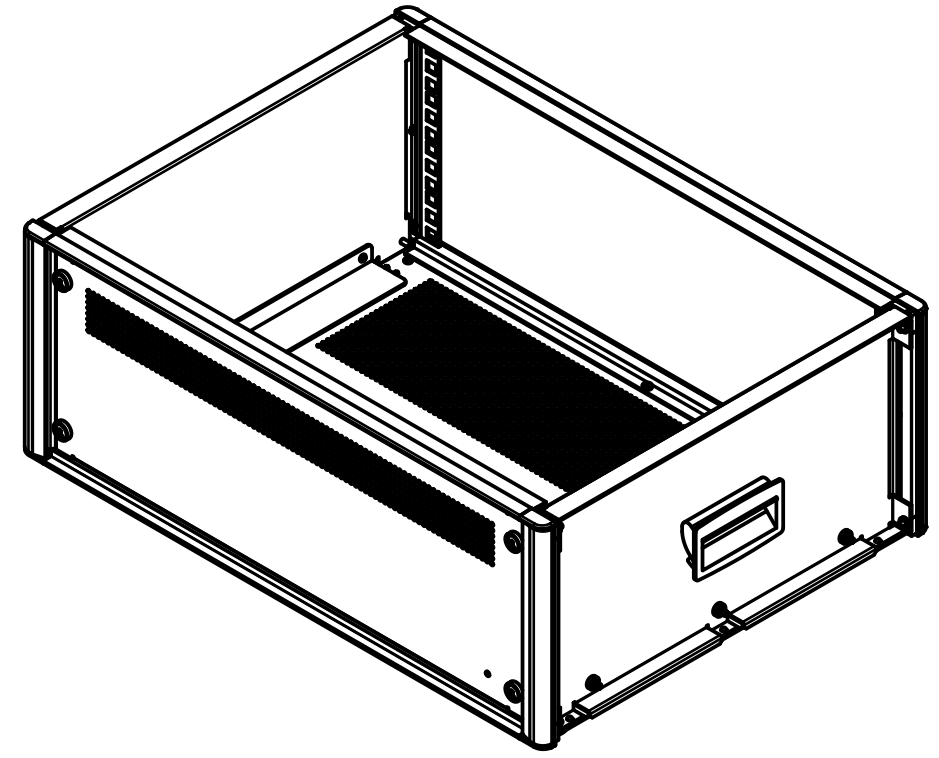
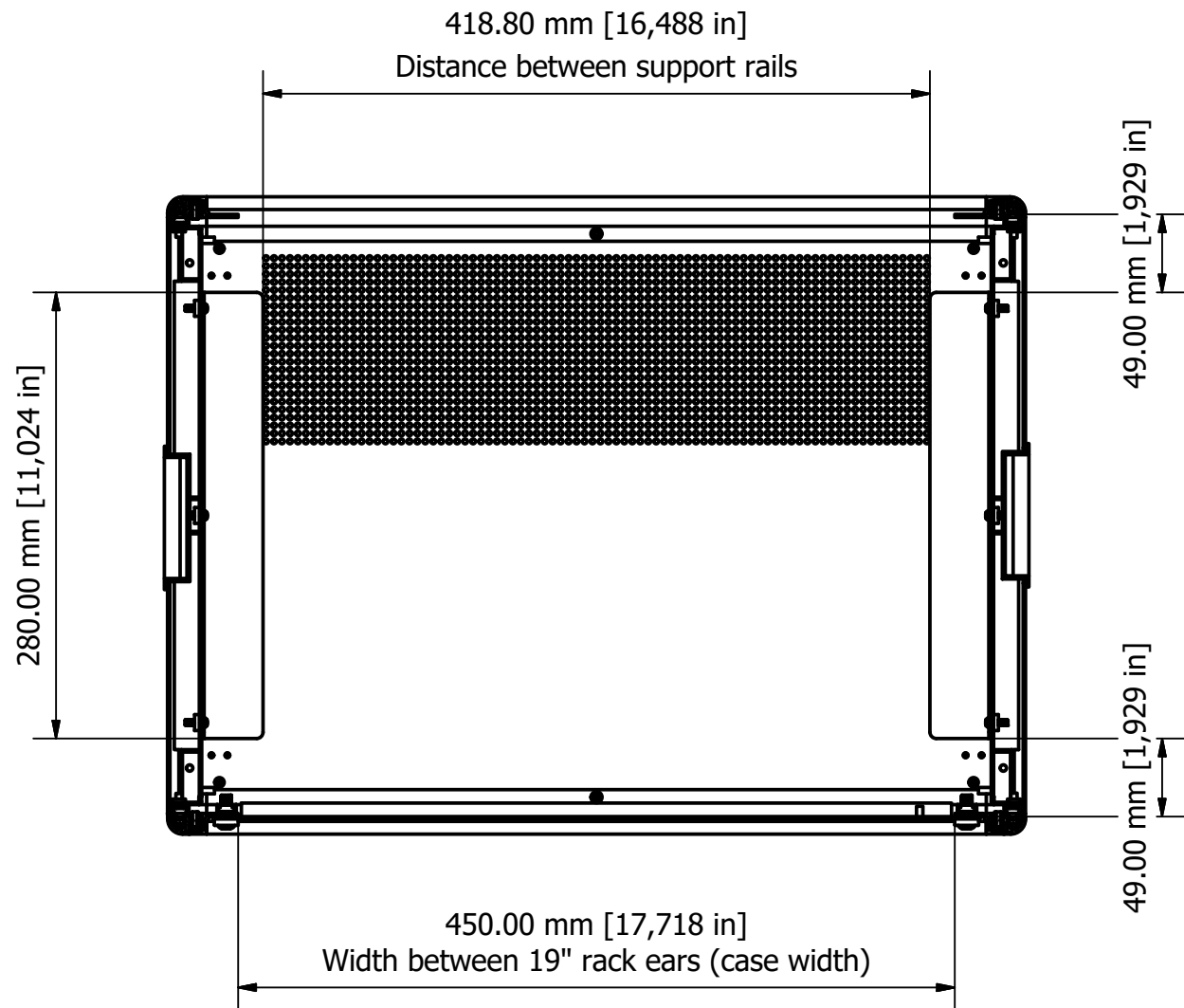
METcase™ www.metcase.com	Part Number M6619444	Issue 1	Sheet 1 / 2
------------------------------------	-------------------------	------------	----------------

© OKW Enclosures Ltd (Date as shown). This drawing contains proprietary information of OKW Enclosures Ltd and is tendered subject to the following conditions. The information be retained in confidence, not be reproduced or copied, and not be used or incorporated in any product, unless permission is obtained in writing from OKW Enclosures Ltd.

Rear



C-C



Notes:

- 1) Case is fabricated from 1.5 mm aluminium sheet with die cast and extrusion bezels.
- 2) Case is powder coat painted RAL 7016 fine texture anthracite.
- 3) All parts have an M4 stud for earthing.
- 4) Supplied with 4 colour matching Technofoet.
- 5) 19" rack brackets are fitted to the front and back.

FIRST ANGLE PROJECTION

Designed by L Clark	Description Technomet 19" RC194 (4U x 540 x 400 mm)	Date 24/06/2018	Scale 1:4.5
METCASE ENCLOSURES 15 Brunel Way, Segensworth East, Fareham, Hampshire, PO15 5TX, UK. Tel: +44 (0)1489 583858 Email: sales@metcase.co.uk		METcase™ www.metcase.com Part Number M6619444	
		Issue 1	Sheet 2 / 2

© OKW Enclosures Ltd (Date as shown). This drawing contains proprietary information of OKW Enclosures Ltd and is tendered subject to the following conditions. The information be retained in confidence, not be reproduced or copied, and not be used or incorporated in any product, unless permission is obtained in writing from OKW Enclosures Ltd.