

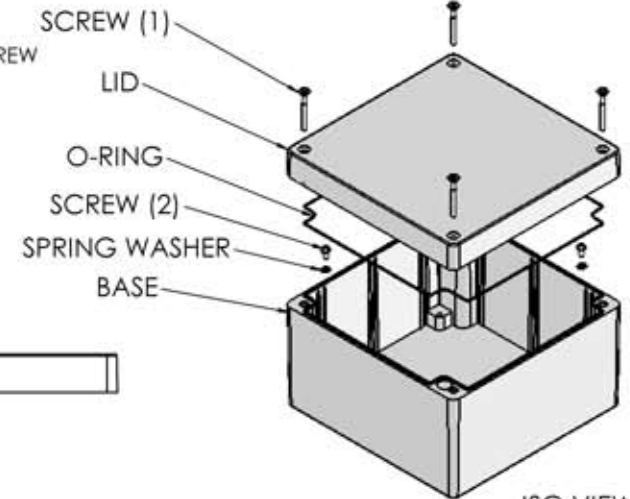
OVERALL ASSEMBLY DIMENSIONS:

EXTERNAL - 158.5 x 158.5 x 101.5

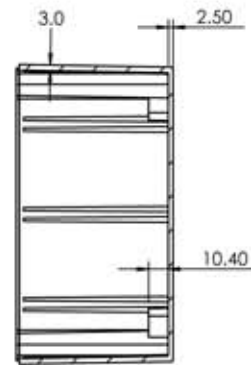
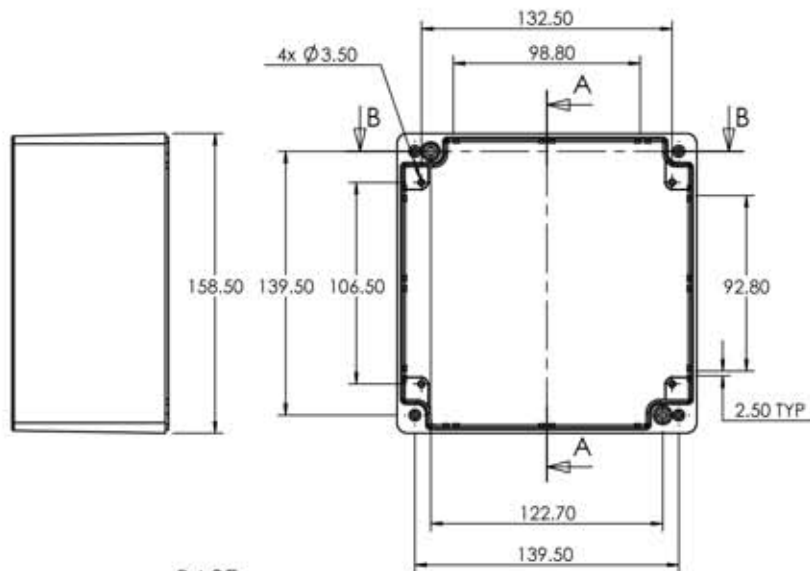
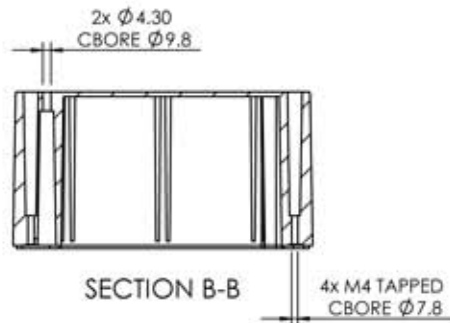
INTERNAL - 152.5 x 152.5 x 96.5

(1) 4x M4 UNIT ASSEMBLY SCREW

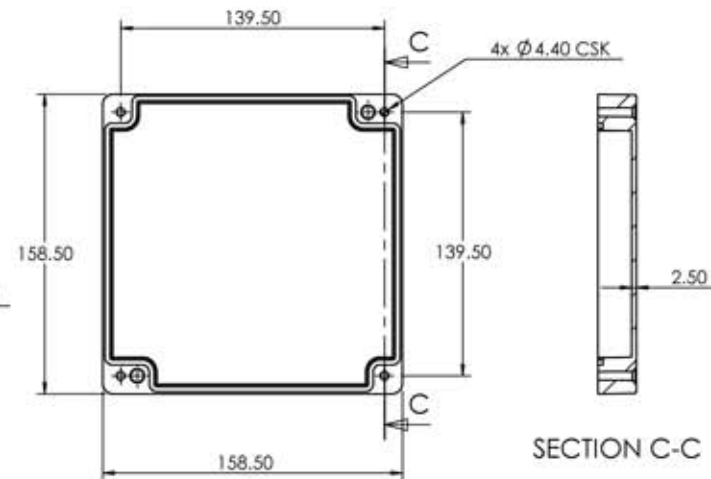
(2) 2x SELF-TAPPING INTERNAL MOUNTING SCREW



ISO VIEW
1:5



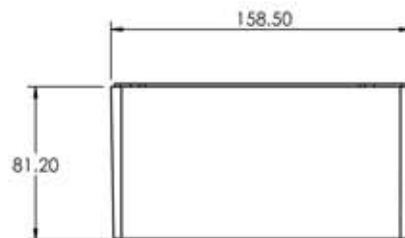
SECTION A-A



SECTION C-C

LID

BASE



<p>Represented in North America by METCASE Enclosures, a division of OKW Enclosures, Inc. Web: www.metcaseusa.com Toll Free: 800-965-9872, Tel: 412-220-9244 email: sales@okwenclosures.com</p>				UNLESS OTHERWISE SPECIFIED: DIMENSIONS ARE IN MILLIMETERS		DO NOT SCALE DRAWING		REVISION: 0	
				FINISH: SMOOTH		TITLE: ASSEMBLY DRG FOR 5500-39			
DRAWN: S.HARDINGE		SIGNED: SJH		DATE: 06/01/06		MATERIAL: DIE-CAST ALUMINIUM		DWG. NO. 5500-39	
CHKD: -		-		-		PROJECTION:		SCALE: 1 : 4	
								SHEET 1 OF 1	

A4