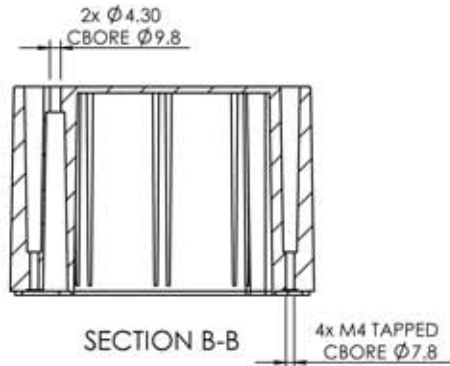


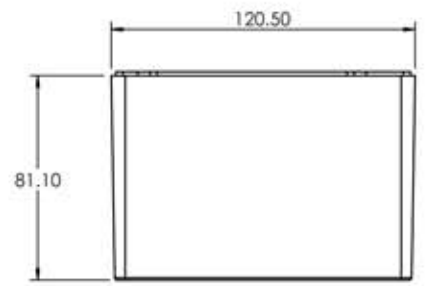
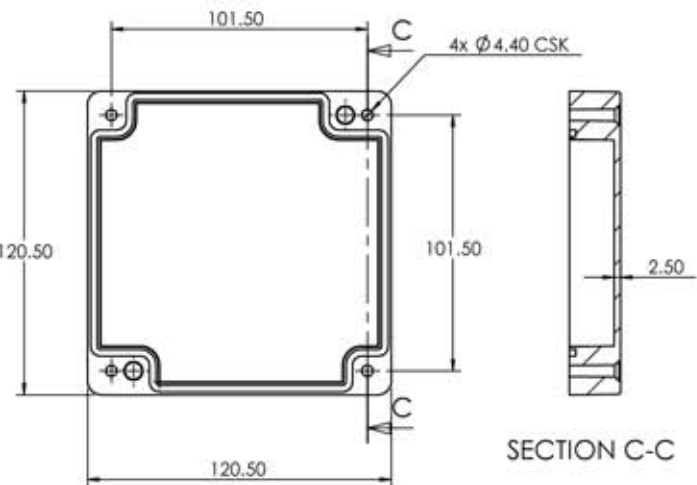
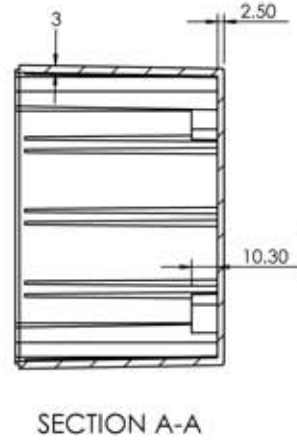
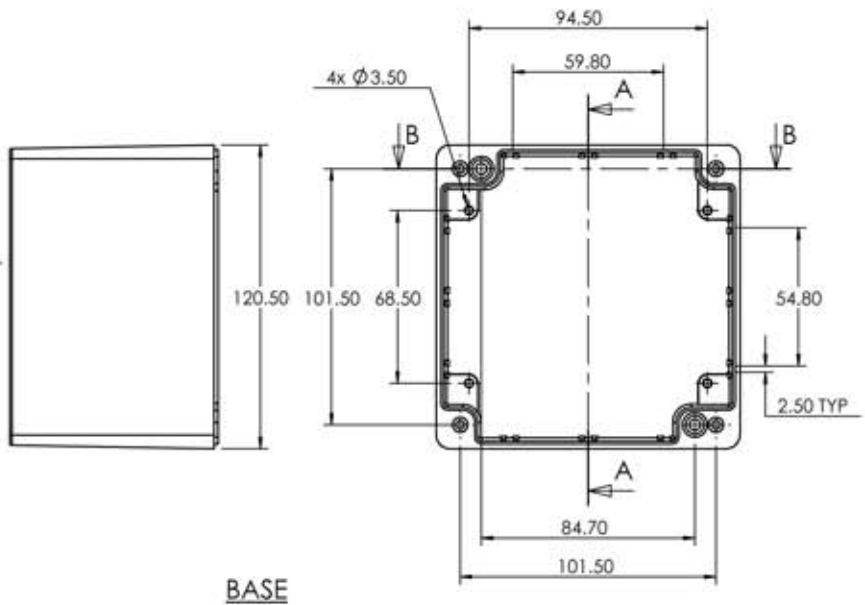
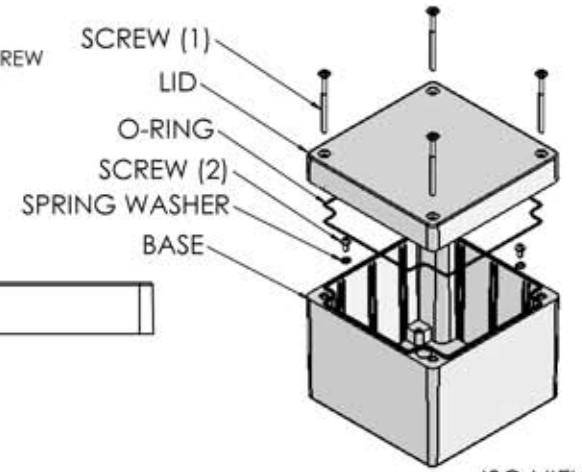
OVERALL ASSEMBLY DIMENSIONS:

EXTERNAL - 120.5 X 120.5 x 101.4

INTERNAL - 114.5 x 114.5 x 96.4



- (1) 4x M4 UNIT ASSEMBLY SCREW
- (2) 2x SELF-TAPPING INTERNAL MOUNTING SCREW



<p>Represented in North America by METCASE Enclosures, a division of DRW Enclosures, Inc. Web: www.metcasesa.com Toll Free: 800-965-9872, Tel: 412-229-9244 email: sales@okwenclosures.com</p>		UNLESS OTHERWISE SPECIFIED: DIMENSIONS ARE IN MILLIMETERS		DO NOT SCALE DRAWING	REVISION: 0
		FINISH: SMOOTH		TITLE: ASSEMBLY DRG FOR 5500-37	
DRAWN	S.HARDINGE	SJH	06/01/06	MATERIAL: DIE-CAST ALUMINIUM	DWG NO. 5500-37
CHKD	-	-	-	PROJECTION:	SCALE: 1:3
				SHEET 1 OF 1	

A4