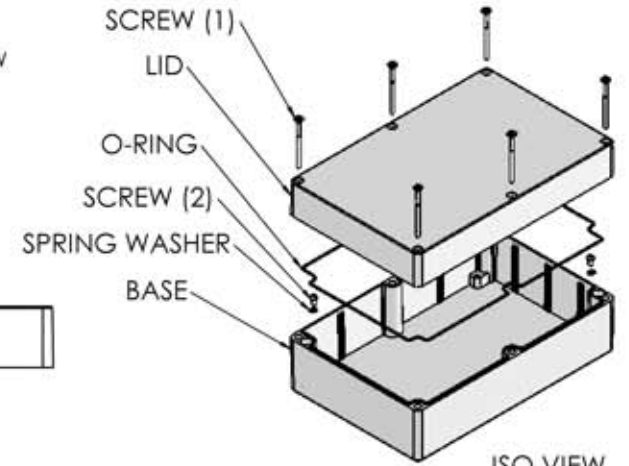


OVERALL ASSEMBLY DIMENSIONS:

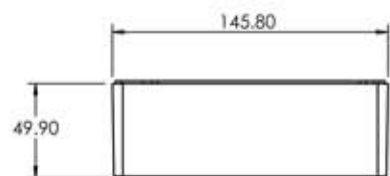
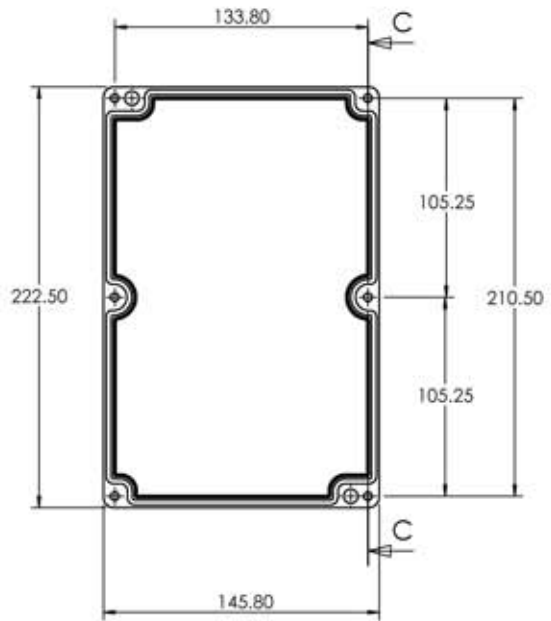
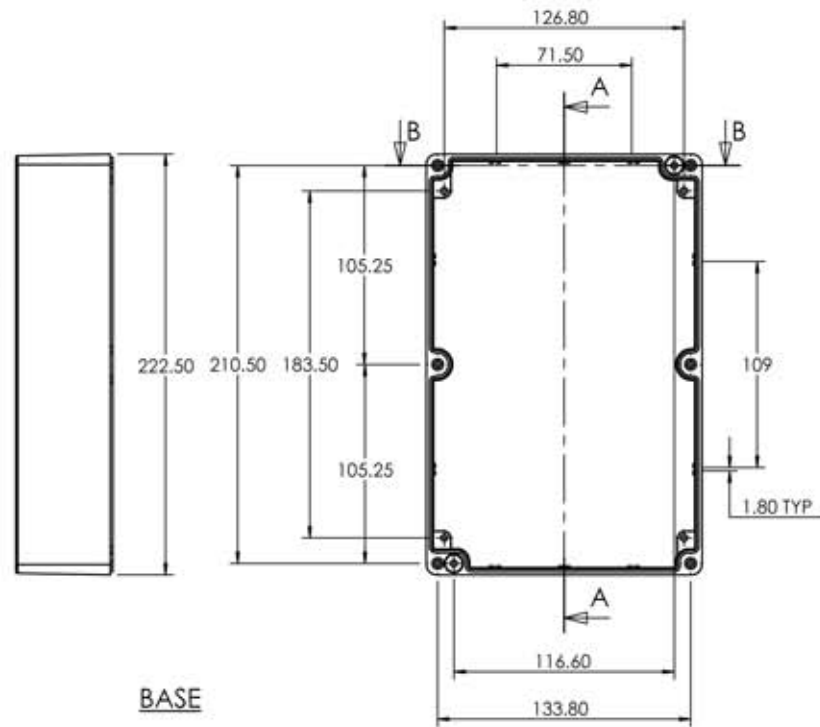
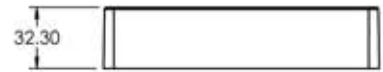
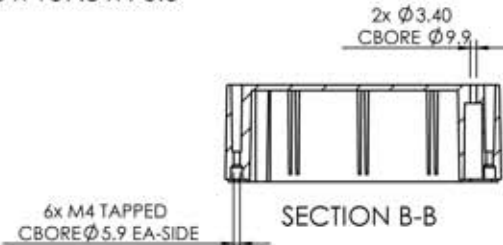
EXTERNAL - 222.5 x 145.8 x 82.2

INTERNAL - 116.5 x 139.8 x 76.5

- (1) 6x M4 UNIT ASSEMBLY SCREW
- (2) 2x SELF-TAPPING INTERNAL MOUNTING SCREW



ISO VIEW
1:6



<p>Represented in North America by METCASE Enclosures, a division of OKW Enclosures, Inc. Web: www.metcaseusa.com Toll Free: 800-965-9872, Tel: 412-220-5244 email: sales@okwenclosures.com</p>	UNLESS OTHERWISE SPECIFIED: DIMENSIONS ARE IN MILLIMETERS		DO NOT SCALE DRAWING	REVISION: 0
	FINISH: SMOOTH		TITLE: ASSEMBLY DRG FOR 5500-25	
DRAWN: S.HARDINGE	SIGNED: SJH	DATE: 10/01/06	MATERIAL: DIE-CAST ALUMINIUM	DWG. NO.: 5500-25
CHKD: -	-	-	PROJECTION:	SCALE: 1:4
			SHEET 1 OF 1	

A4