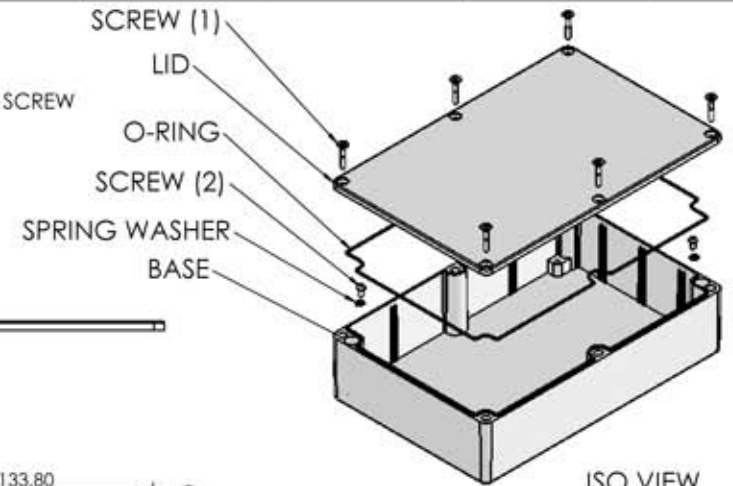


OVERALL ASSEMBLY DIMENSIONS:

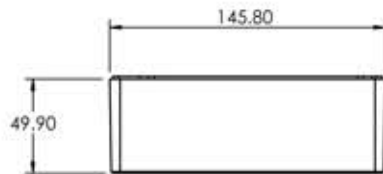
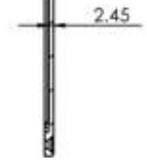
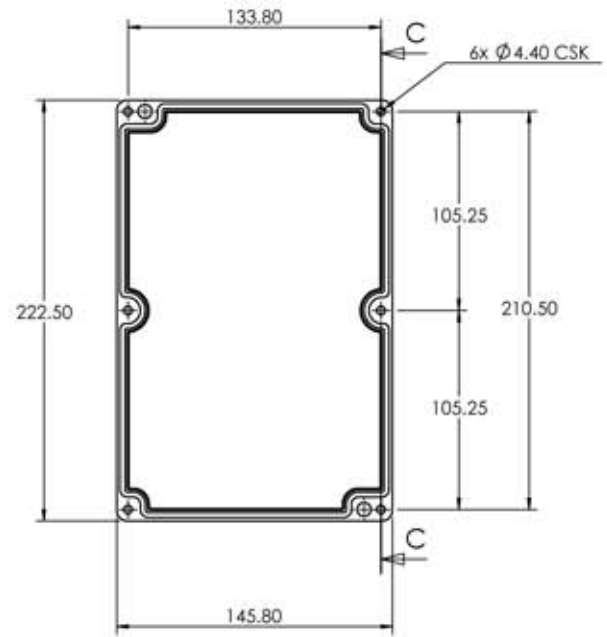
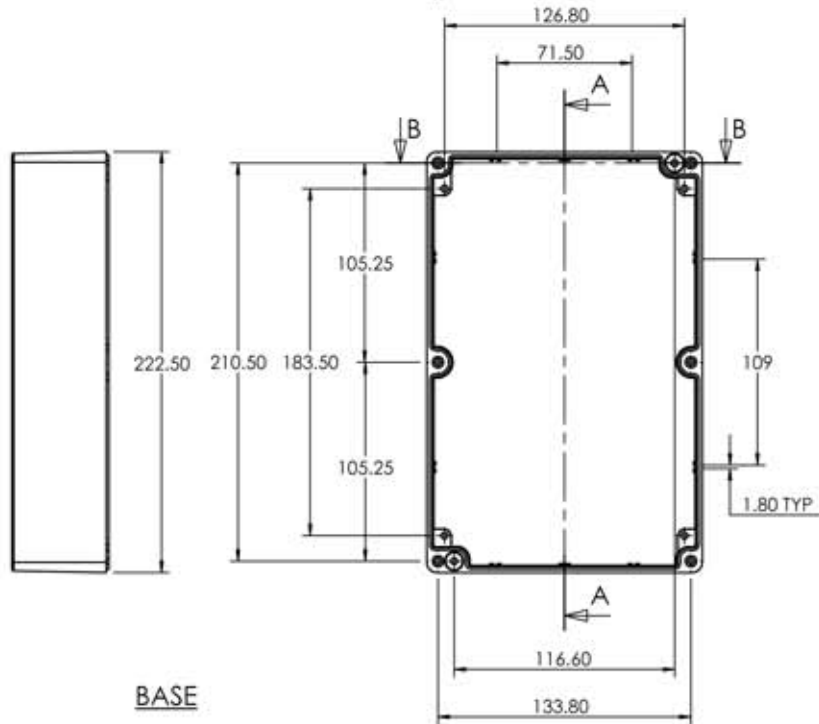
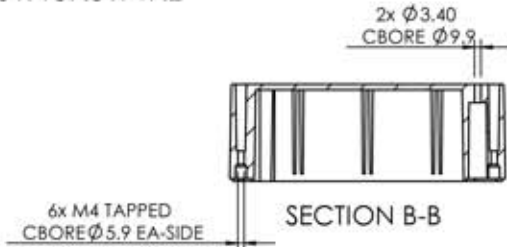
EXTERNAL - 222.5 x 145.8 x 54.7

INTERNAL - 116.5 x 139.8 x 49.2

- (1) 6x M4 UNIT ASSEMBLY SCREW
- (2) 2x SELF-TAPPING INTERNAL MOUNTING SCREW



ISO VIEW  
1:5



<p>Represented in North America by METCASE Enclosures, a division of OKW Enclosures, Inc. Web: www.metcaseusa.com Toll Free: 800-965-9872, Tel: 412-220-9244 email: sales@okwenclosures.com</p>		UNLESS OTHERWISE SPECIFIED: DIMENSIONS ARE IN MILLIMETERS		DO NOT SCALE DRAWING		REVISION: 0	
		FINISH: SMOOTH		TITLE: ASSEMBLY DRG FOR 5500-24			
DRAWN: S.HARDINGE		SIGNED: SJH		DATE: 10/01/06		MATERIAL: DIE-CAST ALUMINIUM	
DWG NO. 5500-24		SCALE: 1:4		SHEET 1 OF 1		A4	