

OVERALL ASSEMBLY DIMENSIONS:

EXTERNAL - 171 x 120.9 x 54.9

INTERNAL - 164.5 x 114.4 x 49.4

(1) 6x M4 UNIT ASSEMBLY SCREW

(2) 2x SELF-TAPPING INTERNAL MOUNTING SCREW

SCREW (1)

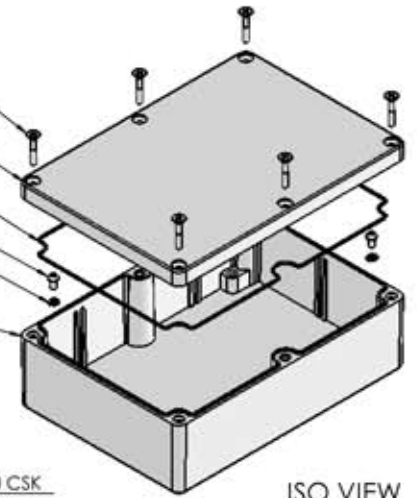
LID

O-RING

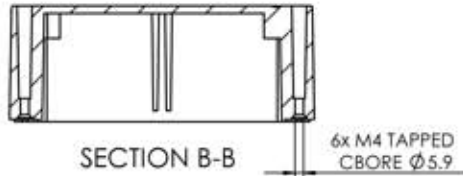
SCREW (2)

SPRING WASHER

BASE



ISO VIEW
1:4

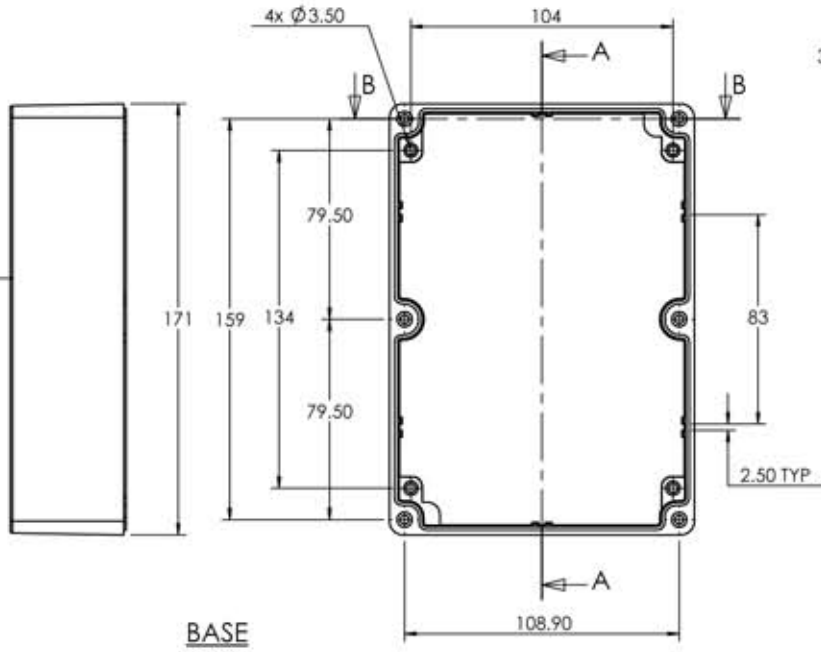


SECTION B-B

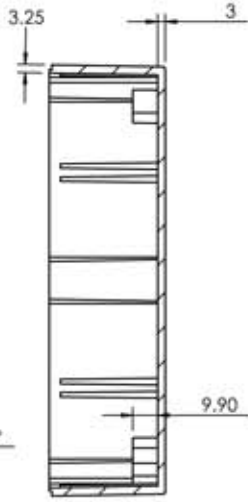
6x M4 TAPPED
CBORE Ø5.9



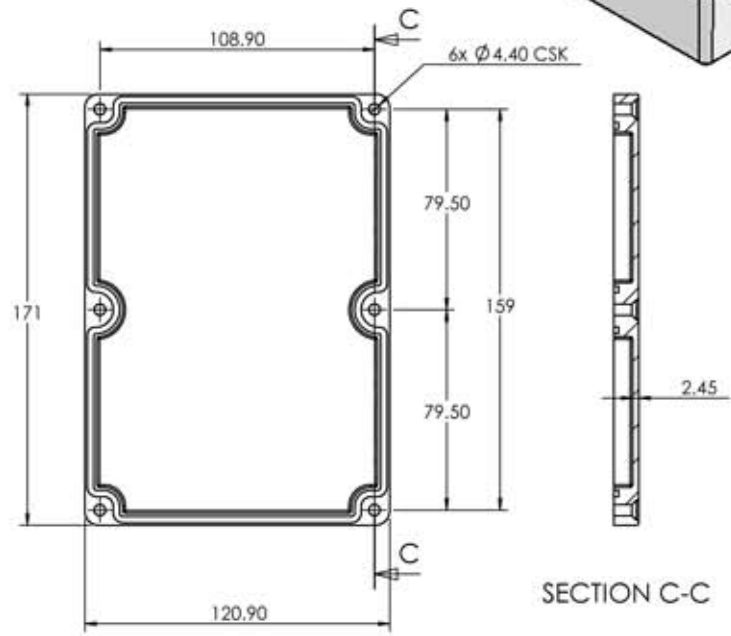
9.90



BASE

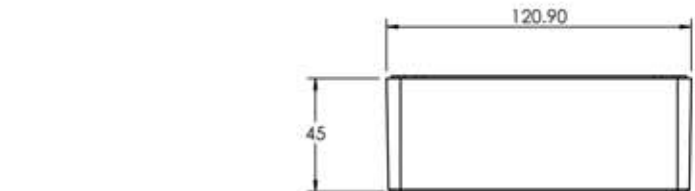


SECTION A-A



SECTION C-C

LID



Represented in North America by
METCASE Enclosures, a division of **OKW Enclosures, Inc.**
Web: www.metcasesa.com
Toll Free: 800-965-9872, Tel: 412-229-9244
email: sales@okwenclosures.com

UNLESS OTHERWISE SPECIFIED:
DIMENSIONS ARE IN MILLIMETERS

DO NOT SCALE DRAWING

REVISION: 0

FINISH:
SMOOTH

TITLE:

ASSEMBLY DRG FOR 5500-20

	NAME	SIGNED	DATE
DRAWN	S.HARDINGE	SJH	09/01/06
CHKD	-	-	-

MATERIAL:
DIE-CAST ALUMINIUM

DWG NO.

5500-20

A4

PROJECTION:

SCALE: 1:3

SHEET 1 OF 1