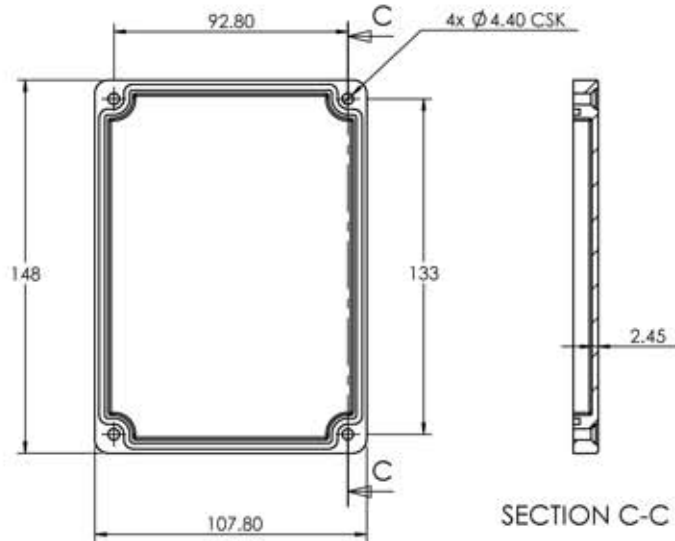
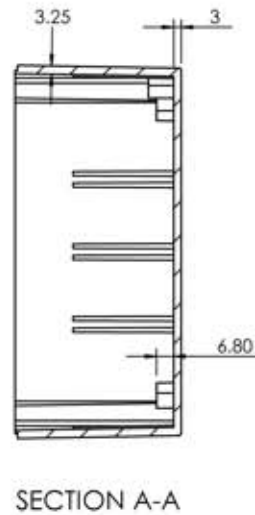
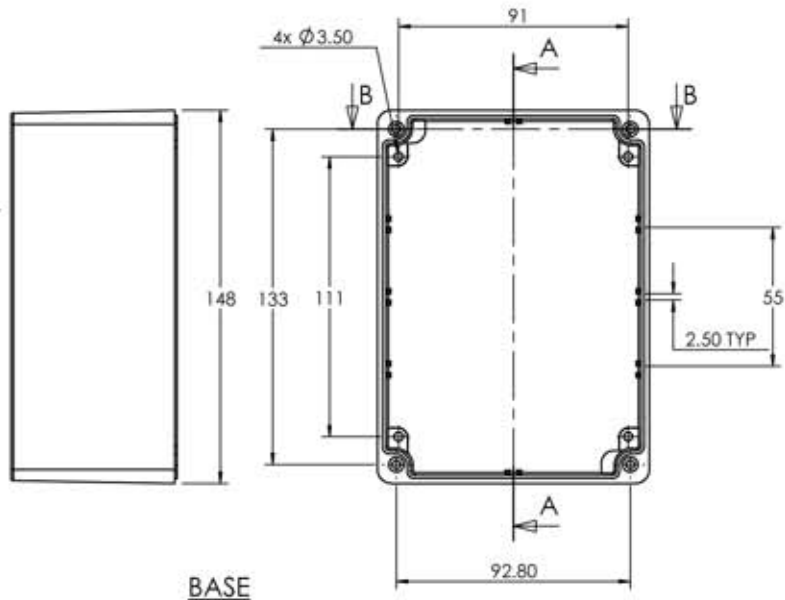
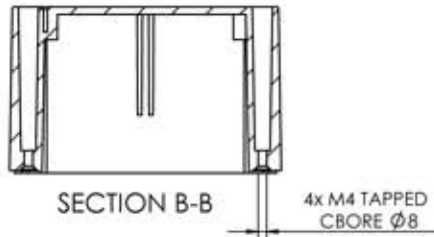


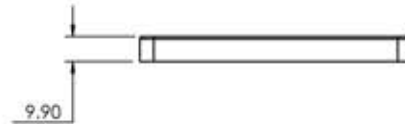
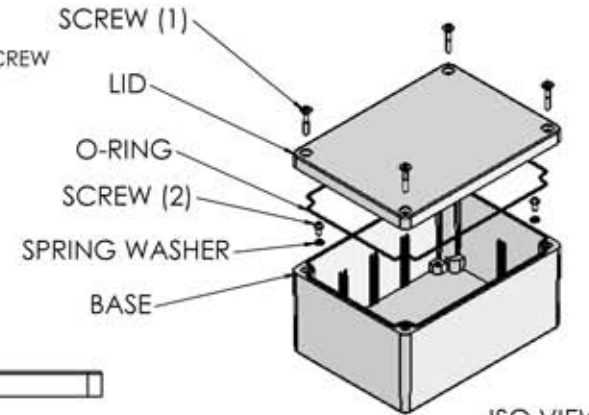
OVERALL ASSEMBLY DIMENSIONS:

EXTERNAL - 148 x 107.8 x 74.8

INTERNAL - 141.5 x 101.3 x 69.3



- (1) 4x M4 UNIT ASSEMBLY SCREW
- (2) 2x SELF-TAPPING INTERNAL MOUNTING SCREW



<p>Represented in North America by  <b>METCASE Enclosures</b>, a division of <b>OKW Enclosures, Inc.</b>                  Web: <a href="http://www.metcaseusa.com">www.metcaseusa.com</a>                  Toll Free: 800-965-9872, Tel: 412-229-5244                  email: <a href="mailto:sales@okwenclosures.com">sales@okwenclosures.com</a></p>		UNLESS OTHERWISE SPECIFIED: DIMENSIONS ARE IN MILLIMETERS		DO NOT SCALE DRAWING	REVISION: 0
		FINISH: <b>SMOOTH</b>		TITLE: <b>ASSEMBLY DRG FOR 5500-15</b>	
DRAWN	S.HARDINGE	SIGNED	SJH	DATE	06/01/06
CHKD	-	-	-	-	-
MATERIAL: <b>DIE-CAST ALUMINIUM</b>		DWG. NO.:		<b>5500-15</b>	
PROJECTION:		SCALE: 1:3		SHEET 1 OF 1	
				A4	