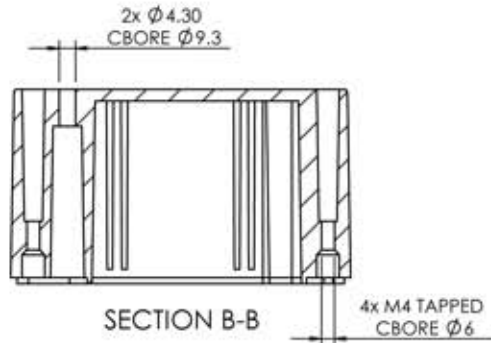


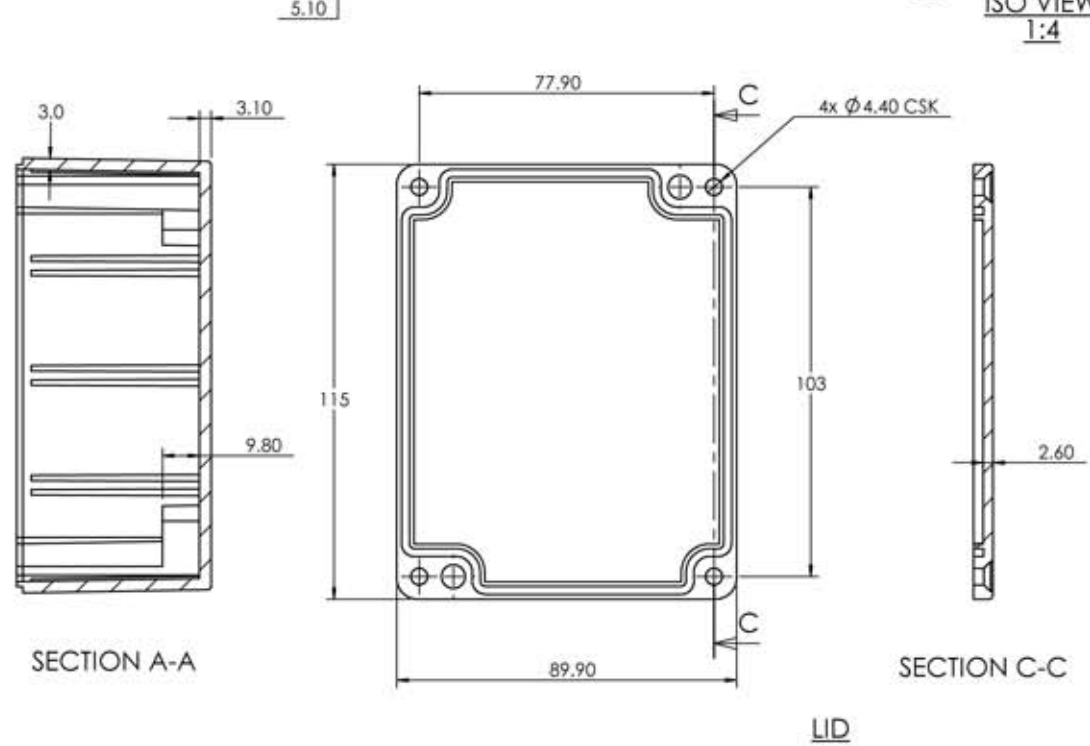
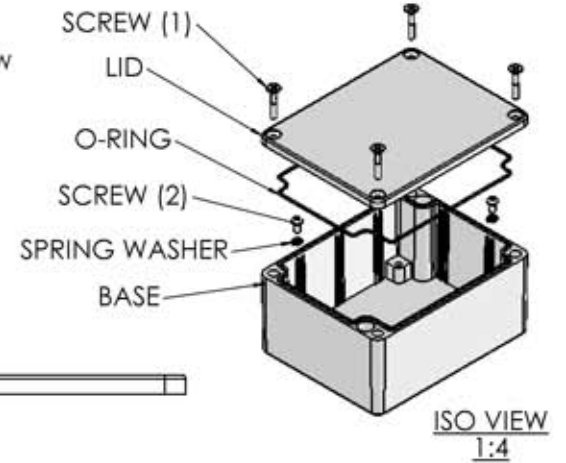
OVERALL ASSEMBLY DIMENSIONS:

EXTERNAL - 115 x 89.9 x 54.9

INTERNAL - 109 x 83.9 x 49.2



- (1) 4x M4 UNIT ASSEMBLY SCREW
- (2) 2x SELF-TAPPING INTERNAL MOUNTING SCREW



<p>Represented in North America by METCASE Enclosures, a division of OKW Enclosures, Inc. Web: www.metcaseusa.com Toll Free: 800-965-9872, Tel: 412-229-9244 email: sales@okwenclosures.com</p>				UNLESS OTHERWISE SPECIFIED: DIMENSIONS ARE IN MILLIMETERS		DO NOT SCALE DRAWING		REVISION: 0		
				FINISH: SMOOTH		TITLE: ASSEMBLY DRG FOR 5500-13				
DRAWN: S.HARDINGE		SIGNED: SJH		DATE: 05/01/06		MATERIAL: DIE-CAST ALUMINIUM		DWG. NO. 5500-13		A4
CHKD: -		-		-		PROJECTION:		SCALE: 1:2		SHEET 1 OF 1