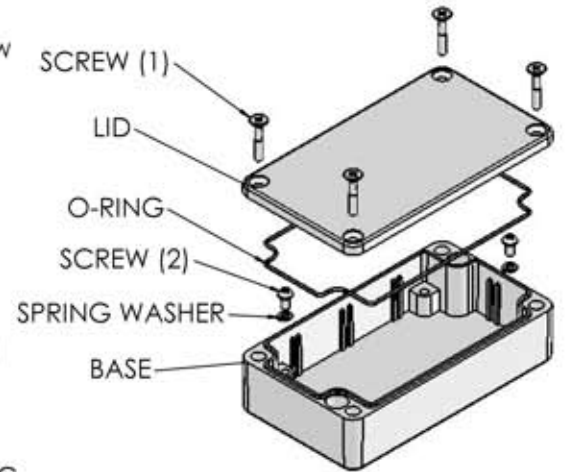


OVERALL ASSEMBLY DIMENSIONS:

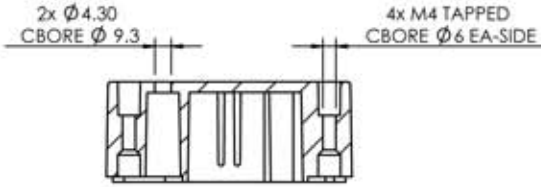
EXTERNAL - 115 x 65 x 30.2

INTERNAL - 109 x 59 x 24.8

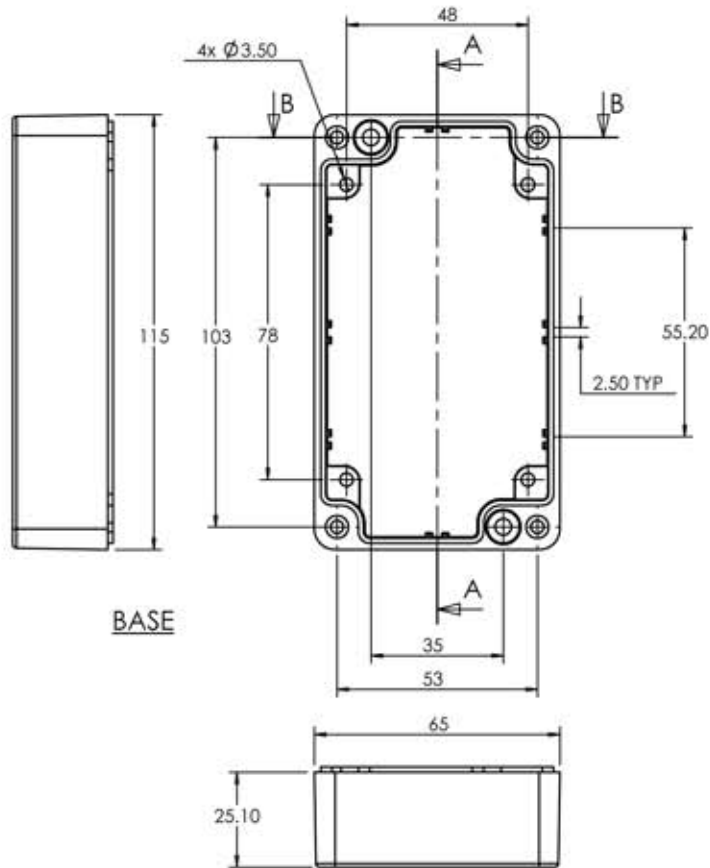
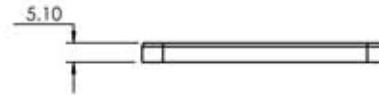
- (1) 4x M4 UNIT ASSEMBLY SCREW
- (2) 2x SELF-TAPPING INTERNAL MOUNTING SCREW



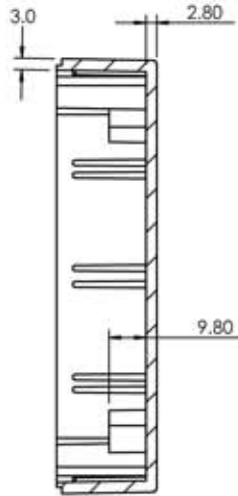
ISO VIEW
1:3



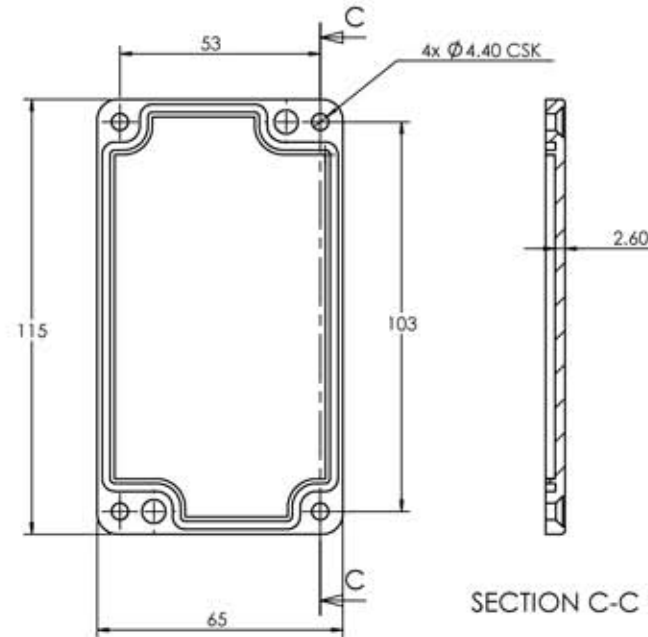
SECTION B-B



BASE



SECTION A-A



SECTION C-C

LID

<p>Represented in North America by METCASE Enclosures, a division of OKW Enclosures, Inc. Web: www.metcaseusa.com Toll Free: 800-965-9872, Tel: 412-229-9244 email: sales@okwenclosures.com</p>		UNLESS OTHERWISE SPECIFIED: DIMENSIONS ARE IN MILLIMETERS		DO NOT SCALE DRAWING		REVISION: 0	
		FINISH: SMOOTH		TITLE: ASSEMBLY DRG FOR 5500-06			
DRAWN: S.HARDINGE		SIGNED: SJH		DATE: 04/01/06		MATERIAL: DIE-CAST ALUMINIUM	
DWG NO. 5500-06		SCALE: 1:2		SHEET 1 OF 1		A4	
CHKD: -		-		-		PROJECTION:	