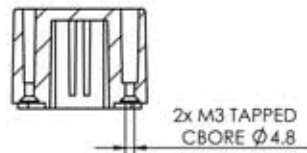


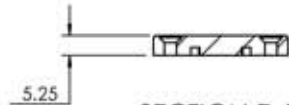
OVERALL ASSEMBLY DIMENSIONS:

EXTERNAL - 89.5 x 35.6 x 30.1

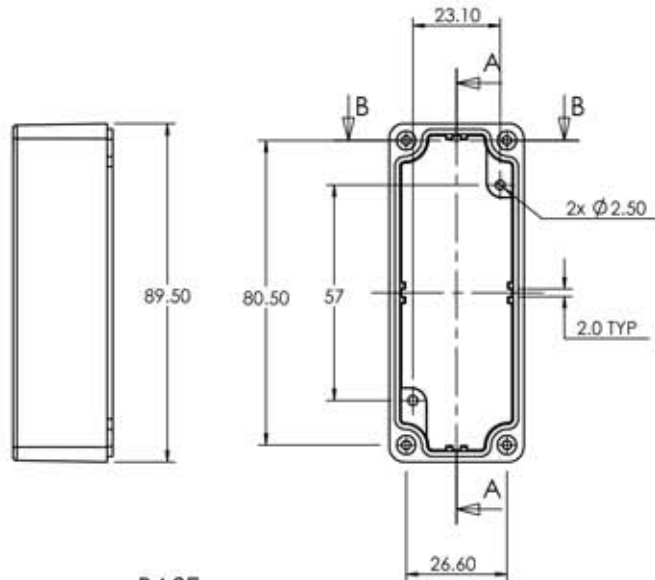
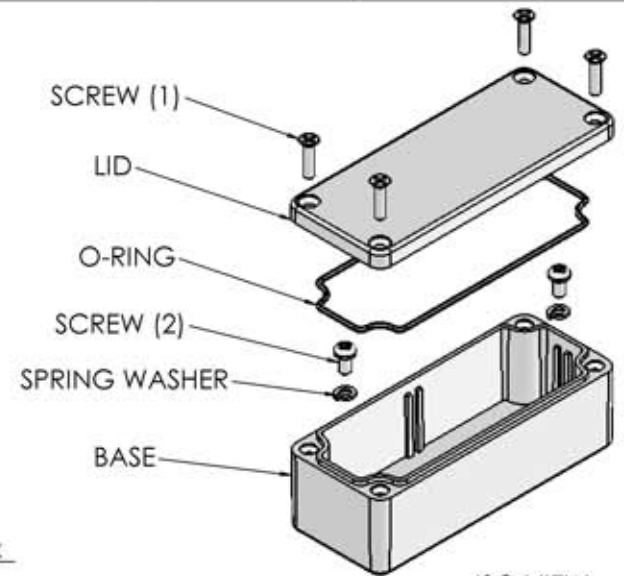
INTERNAL - 83.8 x 29.9 x 24.2



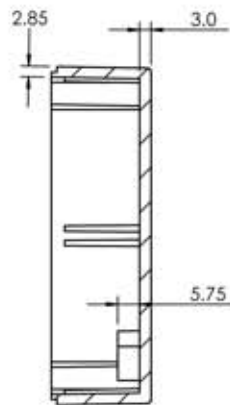
SECTION B-B



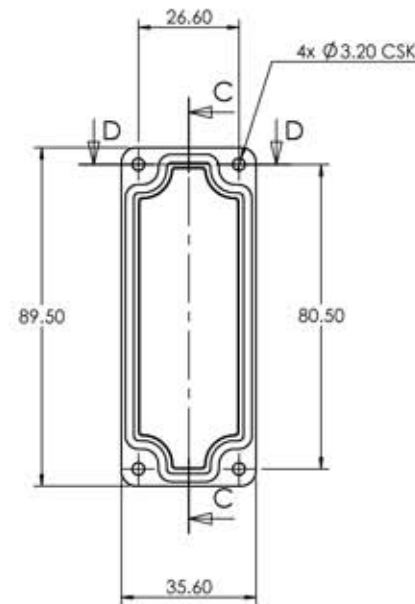
SECTION D-D



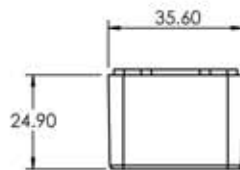
BASE



SECTION A-A



SECTION C-C



<p>Represented in North America by METCASE Enclosures, a division of OKW Enclosures, Inc. Web: www.metcaseusa.com Toll Free: 800-965-9872, Tel: 412-220-5244 email: sales@okwenclosures.com</p>		UNLESS OTHERWISE SPECIFIED: DIMENSIONS ARE IN MILLIMETERS		DO NOT SCALE DRAWING	REVISION: 0
		FINISH: SMOOTH		TITLE: ASSEMBLY DRG FOR 5500-02	
DRAWN	S.HARDINGE	SIGNED	SJH	DATE	10/01/06
CHKD	-	-	-	-	-
MATERIAL: DIE-CAST ALUMINIUM		DWG. NO.		5500-02	
PROJECTION:		SCALE: 1:2		SHEET 1 OF 1	
				A4	