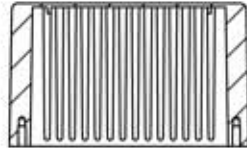


OVERALL ASSEMBLY DIMENSIONS:

EXTERNAL - 121 x 95 x 61

INTERNAL - 117.4 x 91.4 x 56.8

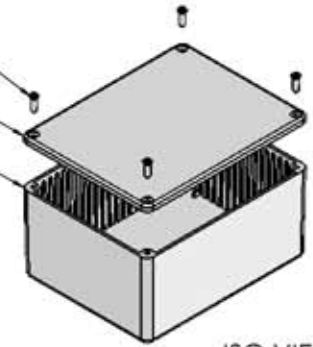


SECTION B-B

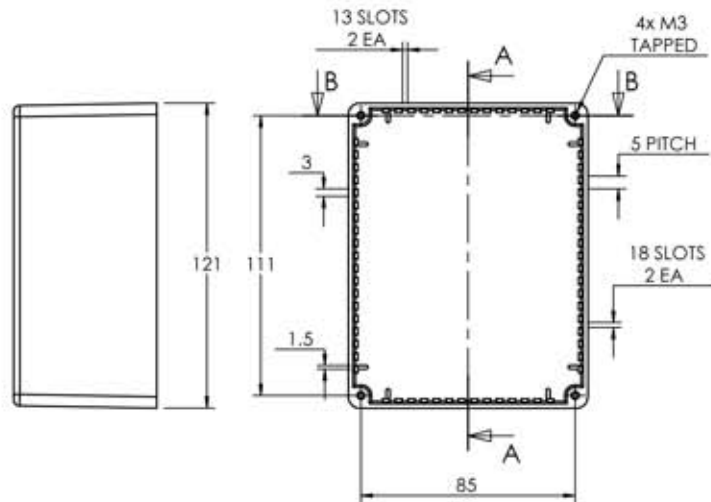
M3 CSK SCREW

LID

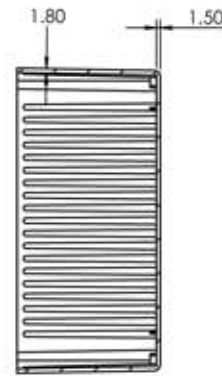
BASE



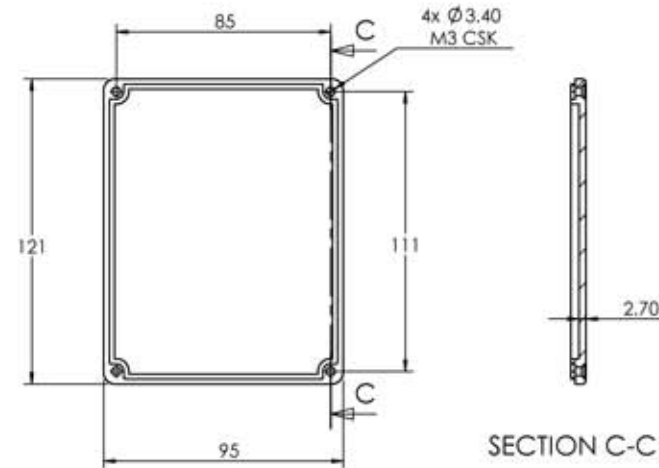
ISO VIEW
1:4



LID

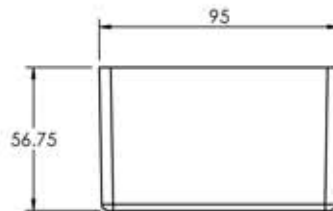


SECTION A-A



SECTION C-C

BASE



<p>Represented in North America by METCASE Enclosures, a division of OKW Enclosures, Inc. Web: www.metcaseusa.com Toll Free: 800-965-9872, Tel: 412-220-5244 email: sales@okwenclosures.com</p>				UNLESS OTHERWISE SPECIFIED: DIMENSIONS ARE IN MILLIMETERS		DO NOT SCALE DRAWING		REVISION: 0		
				FINISH: SMOOTH		TITLE: ASSEMBLY DRG FOR 5007,17				
DRAWN: S.HARDINGE		SIGNED: SJH		DATE: 07/12/05		MATERIAL: DIE-CAST ALUMINIUM		DWG NO. 5007,17		A4
CHKD: -		-		-		PROJECTION:		SCALE: 1:3		SHEET 1 OF 1