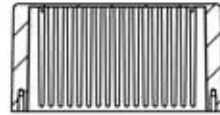


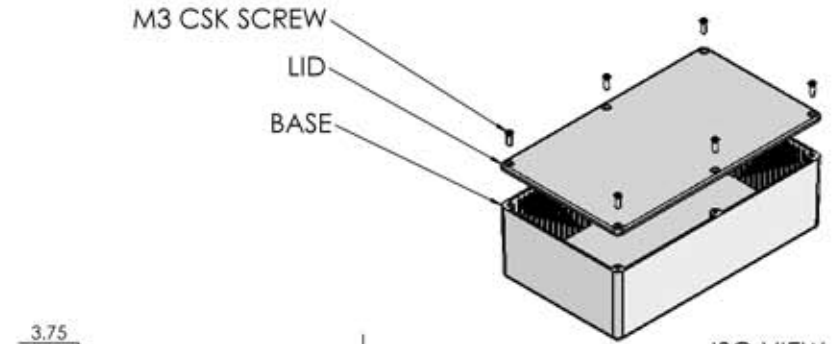
OVERALL ASSEMBLY DIMENSIONS:

EXTERNAL - 191.6 x 111.6 x 60.5

INTERNAL 188 x 108 x 56.3



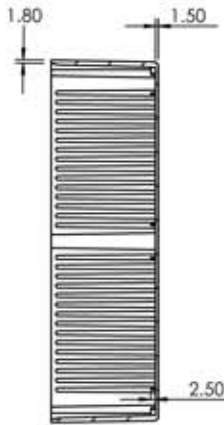
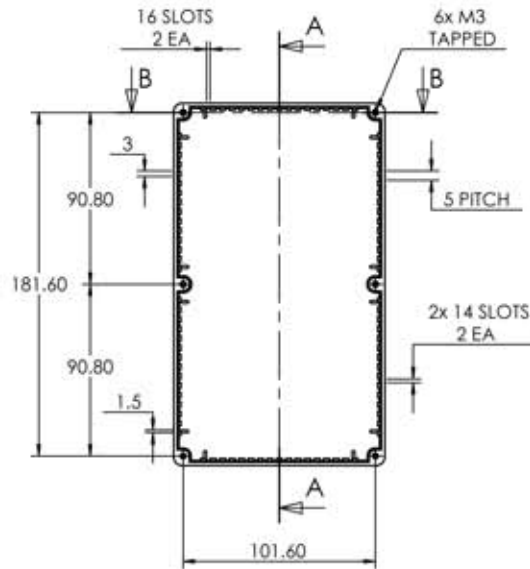
SECTION B-B



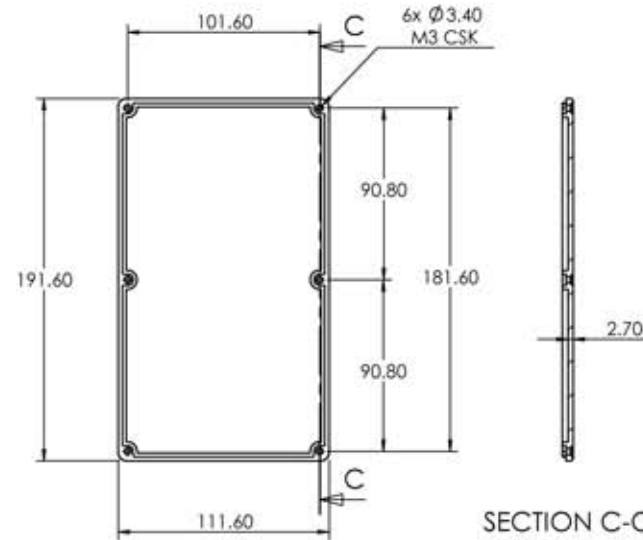
ISO VIEW
1:5



BASE

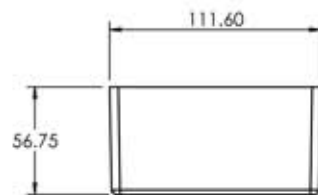


SECTION A-A



SECTION C-C

LID



<p>Represented in North America by METCASE Enclosures, a division of DKW Enclosures, Inc. Web: www.metcaseusa.com Toll Free: 800-965-9872, Tel: 412-220-9244 email: sales@dkwenclosures.com</p>		UNLESS OTHERWISE SPECIFIED: DIMENSIONS ARE IN MILLIMETERS		DO NOT SCALE DRAWING	REVISION: 0
		FINISH: SMOOTH		TITLE: ASSEMBLY DRG FOR 5006/16	
DRAWN	S.HARDINGE	SJH	07/12/05	MATERIAL: DIE-CAST ALUMINIUM	DWG NO. 5006,16
CHKD	-	-	-	PROJECTION:	SCALE: 1:4
				SHEET 1 OF 1	

A4