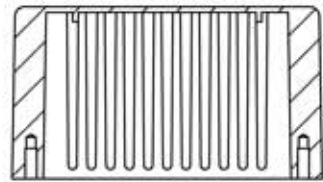


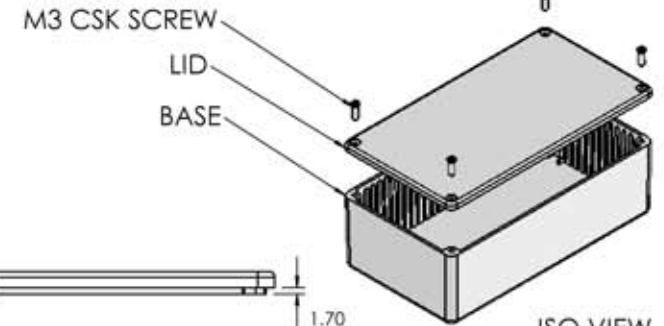
OVERALL ASSEMBLY DIMENSIONS:

EXTERNAL - 152 x 82 x 49.75

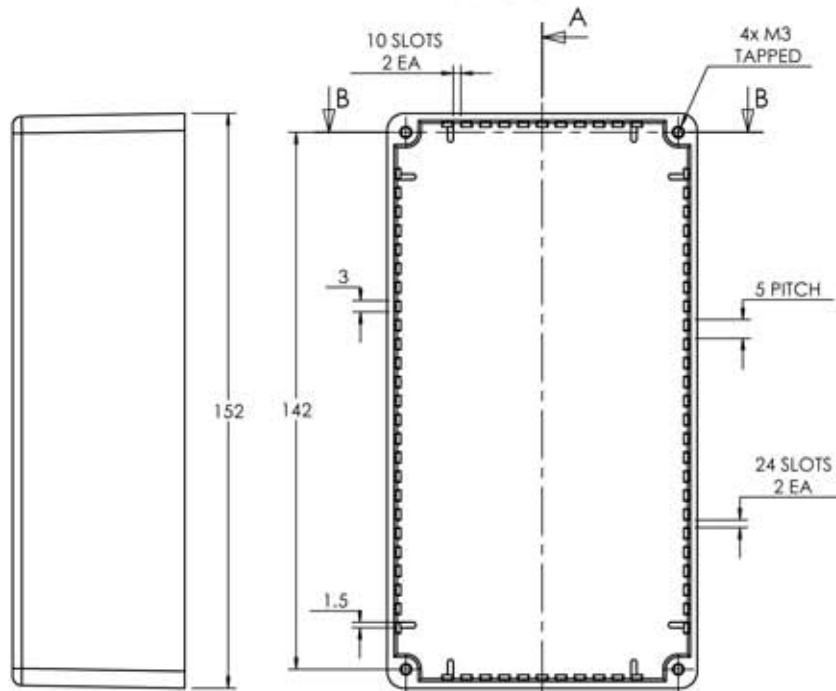
INTERNAL - 149.4 x 78.4 x 45.5



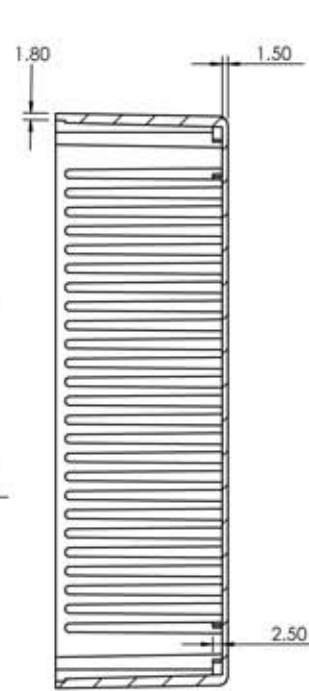
SECTION B-B



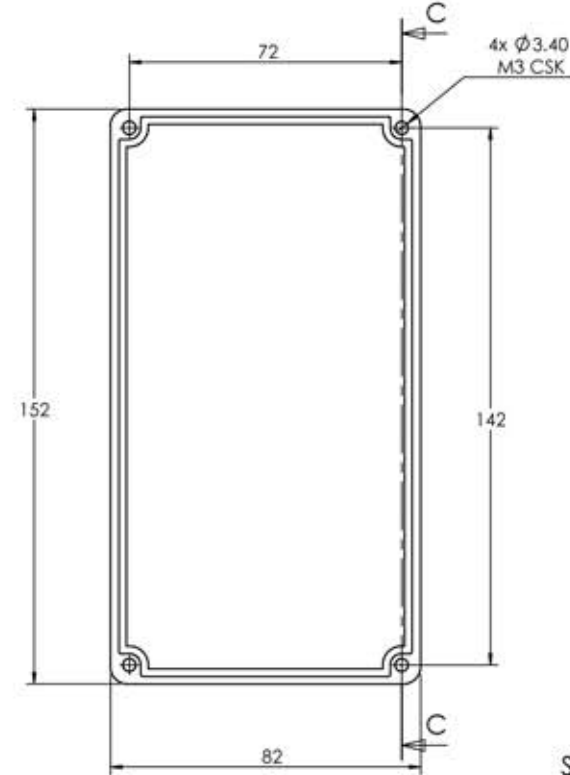
ISO VIEW
1:4



BASE

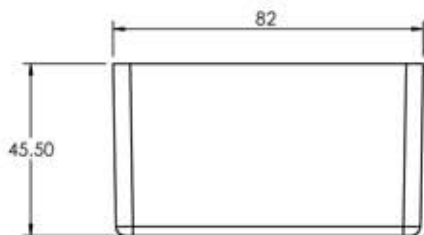


SECTION A-A



SECTION C-C

LID



BOSS
 Represented in North America by
METCASE Enclosures, a division of **OKW Enclosures, Inc.**
 Web: www.metcaseusa.com
 Toll Free: 800-965-9872, Tel: 412-220-5244
 email: sales@okwenclosures.com

UNLESS OTHERWISE SPECIFIED: DIMENSIONS ARE IN MILLIMETERS		DO NOT SCALE DRAWING	REVISION: 0
FINISH: SMOOTH		TITLE: ASSEMBLY DRG FOR 5005/15	
DRAWN S.HARDINGE	SIGNED S.JH	DATE 07/12/05	MATERIAL: DIE-CAST ALUMINIUM
CHKD -	-	-	DWG NO. 5005,15
PROJECTION:		SCALE: 1:2	SHEET 1 OF 1

A4