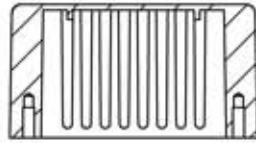


OVERALL ASSEMBLY DIMENSIONS:

EXTERNAL - 120 x 65.5 x 39.5

INTERNAL - 116.4 x 61.9 x 35.3

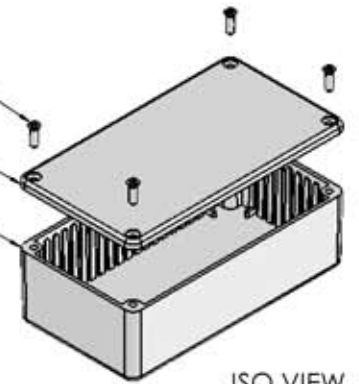


SECTION B-B

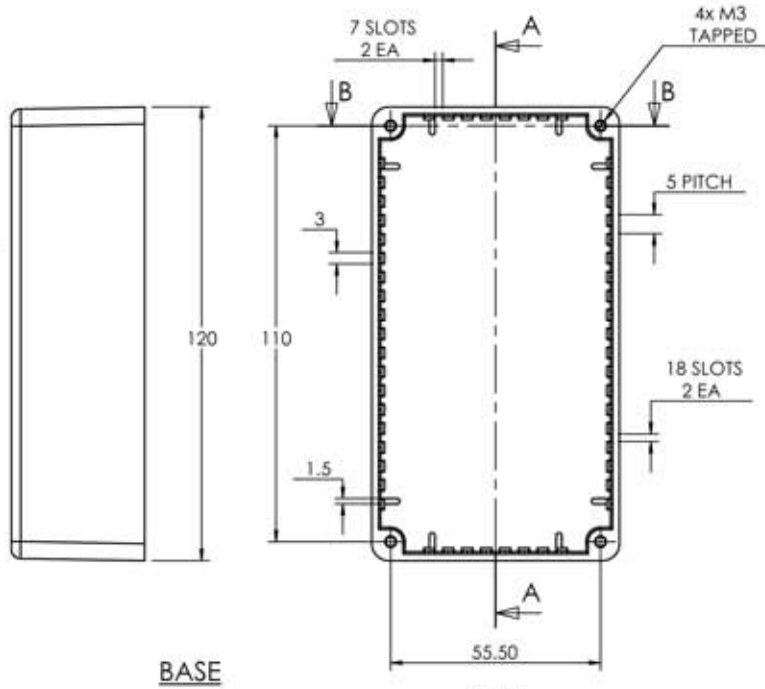
M3 CSK SCREW

LID

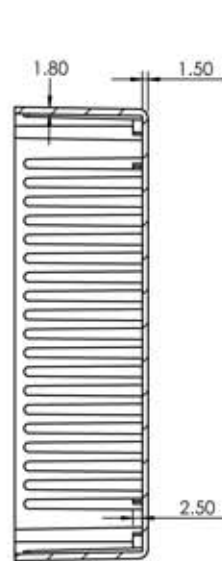
BASE



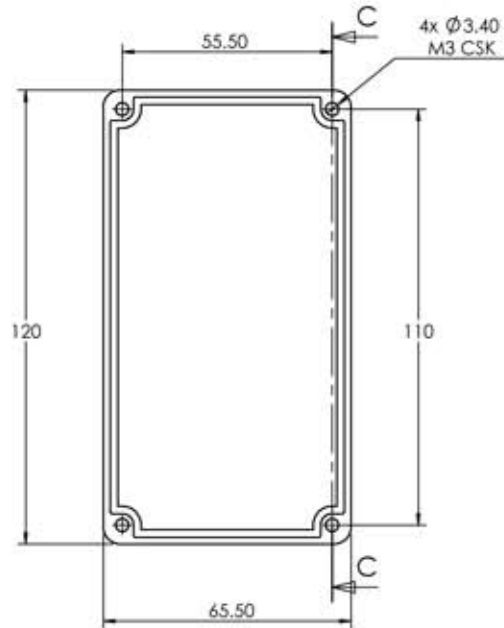
ISO VIEW
1:3



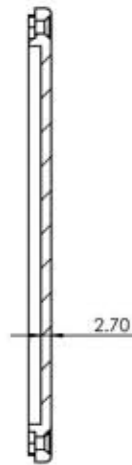
BASE



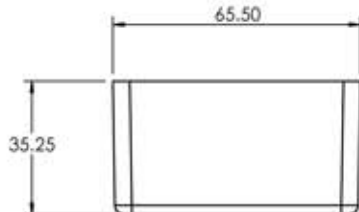
SECTION A-A



SECTION C-C



LID



<p>Represented in North America by METCASE Enclosures, a division of OKW Enclosures, Inc. Web: www.metcaseusa.com Toll Free: 800-965-9872, Tel: 412-220-5244 email: sales@okwenclosures.com</p>		UNLESS OTHERWISE SPECIFIED: DIMENSIONS ARE IN MILLIMETERS		DO NOT SCALE DRAWING	REVISION: 0
		FINISH: SMOOTH		TITLE: ASSEMBLY DRG FOR 5004/14	
DRAWN	S.HARDINGE	SIGNED	SJH	DATE	06/12/05
CHKD	-	-	-	MATERIAL:	DIE-CAST ALUMINIUM
PROJECTION:				DWG NO.	5004,14
SCALE: 1:2		SHEET 1 OF 1		A4	