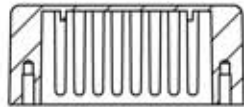


OVERALL ASSEMBLY DIMENSIONS:

EXTERNAL - 112 x 62 x 30.5

INTERNAL - 108.4 x 58.4 x 26.3

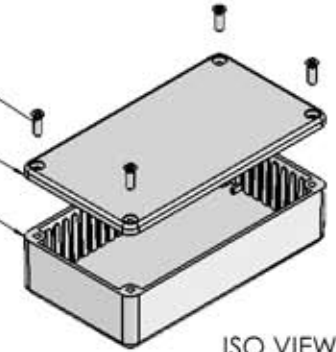


SECTION B-B

M3 CSK SCREW

LID

BASE



ISO VIEW
1:3



A

A

B

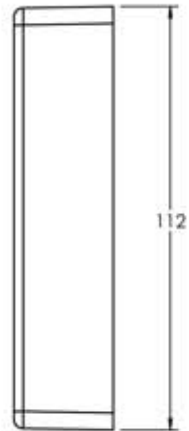
B

C

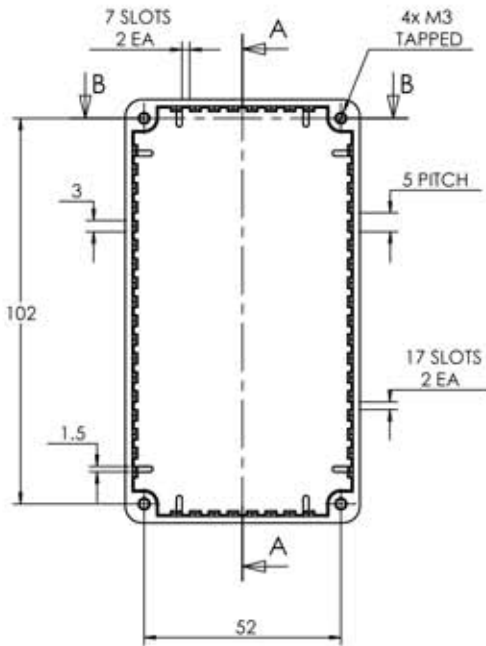
C

D

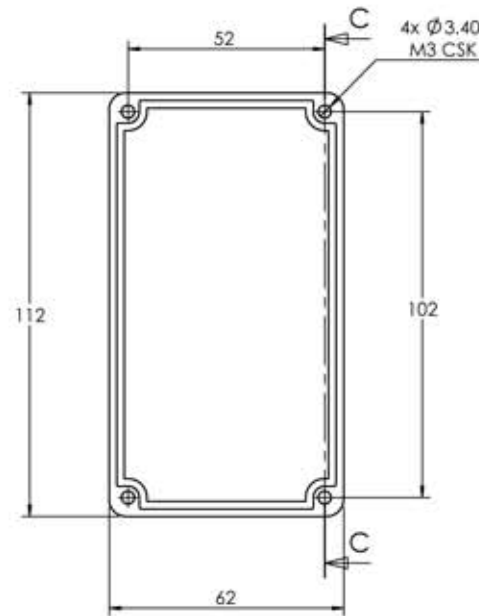
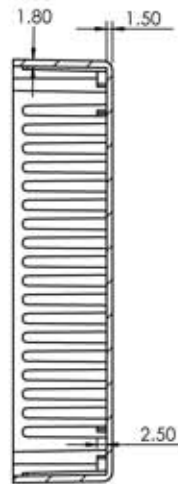
D



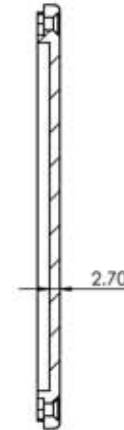
BASE



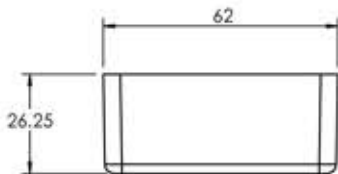
SECTION A-A



SECTION C-C



LID



<p>Represented in North America by METCASE Enclosures, a division of OKW Enclosures, Inc. Web: www.metcaseusa.com Toll Free: 800-965-9872, Tel: 412-220-9244 email: sales@okwenclosures.com</p>				UNLESS OTHERWISE SPECIFIED: DIMENSIONS ARE IN MILLIMETERS		DO NOT SCALE DRAWING		REVISION: 0	
				FINISH: SMOOTH		TITLE: ASSEMBLY DRG FOR 5003/13			
MATERIAL: DIE-CAST ALUMINIUM		DWG. NO. 5003,13						A4	
DRAWN: S.HARDINGE		SIGNED: SJH		DATE: 06/12/05		PROJECTION:		SCALE: 1:2	
CHKD: -		-		-		SHEET 1 OF 1			