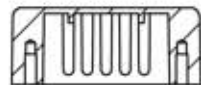


OVERALL ASSEMBLY DIMENSIONS:

EXTERNAL - 101 x 50 x 24.5

INTERNAL - 97.4 x 46.4 x 20.3

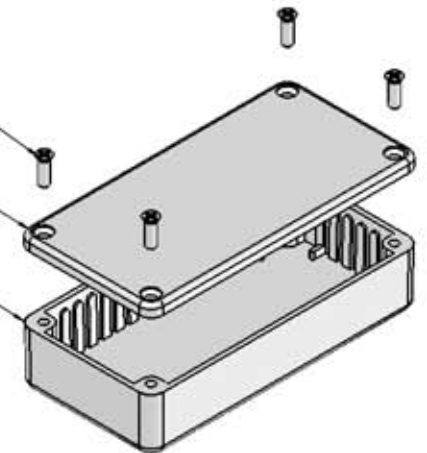


SECTION B-B

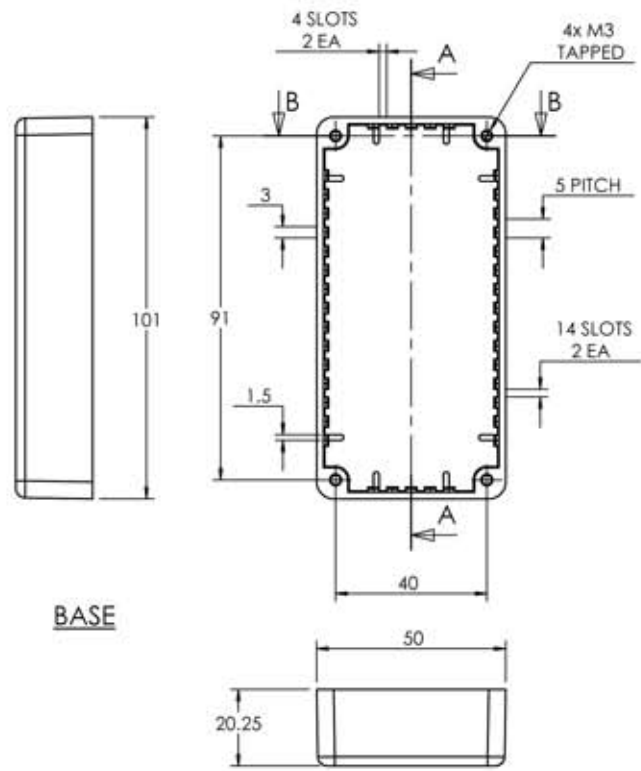
M3 CSK SCREW

LID

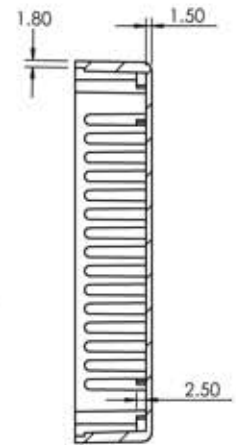
BASE



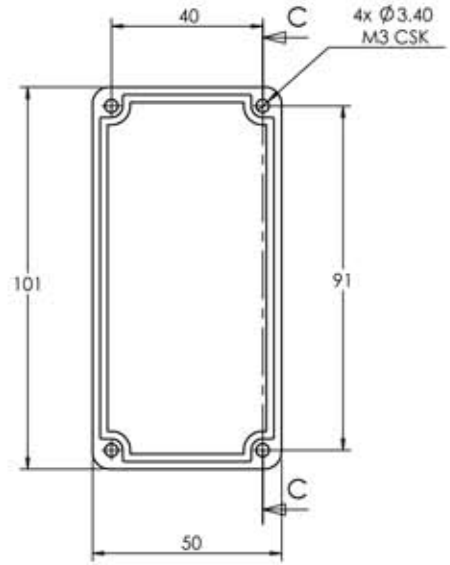
ISO VIEW



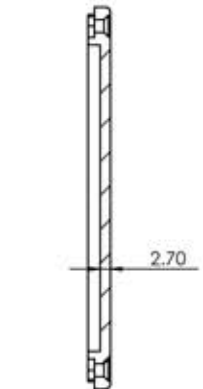
BASE



SECTION A-A



LID



SECTION C-C

<p>Represented in North America by  <b>METCASE Enclosures</b>, a division of <b>OKW Enclosures, Inc.</b>                  Web: <a href="http://www.metcaseusa.com">www.metcaseusa.com</a>                  Toll Free: 800-965-9872, Tel: 412-220-5244                  email: <a href="mailto:sales@okwenclosures.com">sales@okwenclosures.com</a></p>				UNLESS OTHERWISE SPECIFIED: DIMENSIONS ARE IN MILLIMETERS		DO NOT SCALE DRAWING		REVISION, 0		
				FINISH: <b>SMOOTH</b>		TITLE: <b>ASSEMBLY DRG FOR 5002/12</b>				
DRAWN: S.HARDINGE		SIGNED: SJH		DATE: 06/12/05		MATERIAL: <b>DIE-CAST ALUMINIUM</b>		DWG. NO. <b>5002,12</b>		A4
CHKD: -		-		-		PROJECTION:		SCALE: 1 : 2		SHEET 1 OF 1