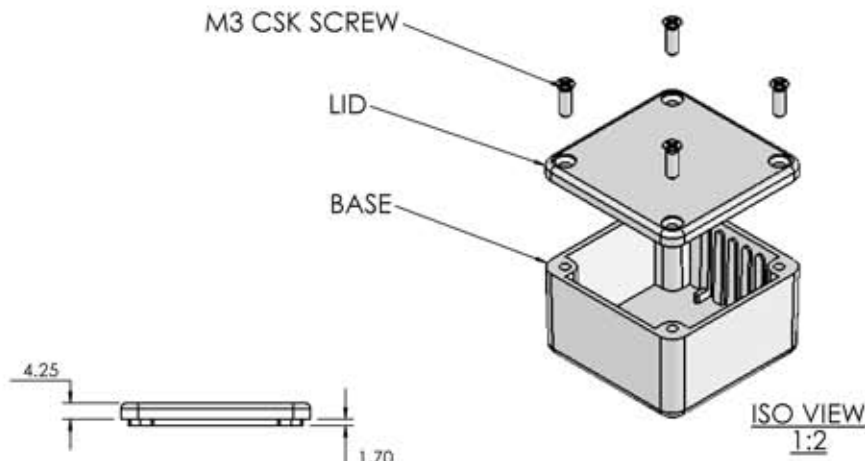


OVERALL ASSEMBLY DIMENSIONS:

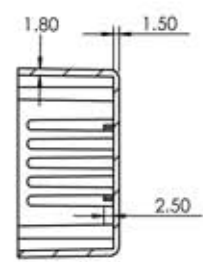
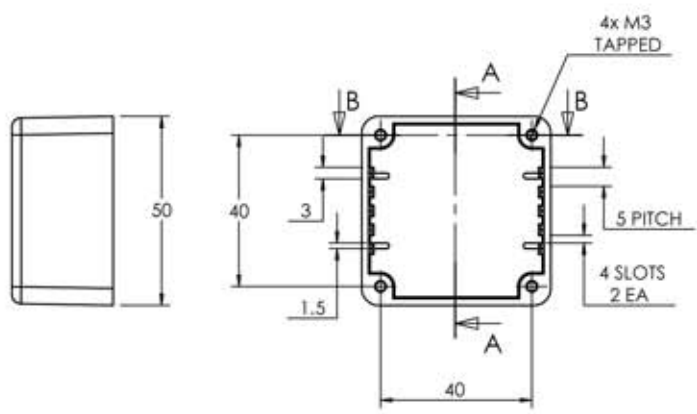
EXTERNAL - 50 x 50 x 31
INTERNAL - 46.4 x 46.4 x 26.8



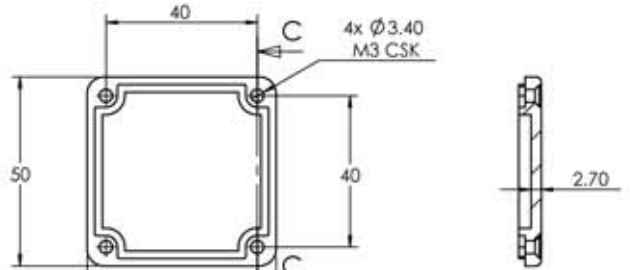
SECTION B-B



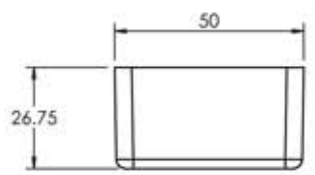
ISO VIEW
1:2



SECTION A-A



SECTION C-C



LID

| | | | | | | | | | | |
|--|--|-------------|--|--|--|---|--|----------------------------|--|--------------|
| <p>Represented in North America by METCASE Enclosures, a division of OKW Enclosures, Inc. Web: www.metcasesa.com Toll Free: 800-965-9872, Tel: 412-229-9244 email: sales@okwenclosures.com</p> | | | | UNLESS OTHERWISE SPECIFIED: DIMENSIONS ARE IN MILLIMETERS | | DO NOT SCALE DRAWING | | REVISION: 0 | | |
| | | | | FINISH: SMOOTH | | TITLE: ASSEMBLY DRG FOR 5001/11 | | | | |
| DRAWN: S.HARDINGE | | SIGNED: SJH | | DATE: 07/12/05 | | MATERIAL: DIE-CAST ALUMINIUM | | DWG. NO. 5001,11 | | A4 |
| CHKD: - | | - | | - | | PROJECTION: | | SCALE: 1:2 | | SHEET 1 OF 1 |