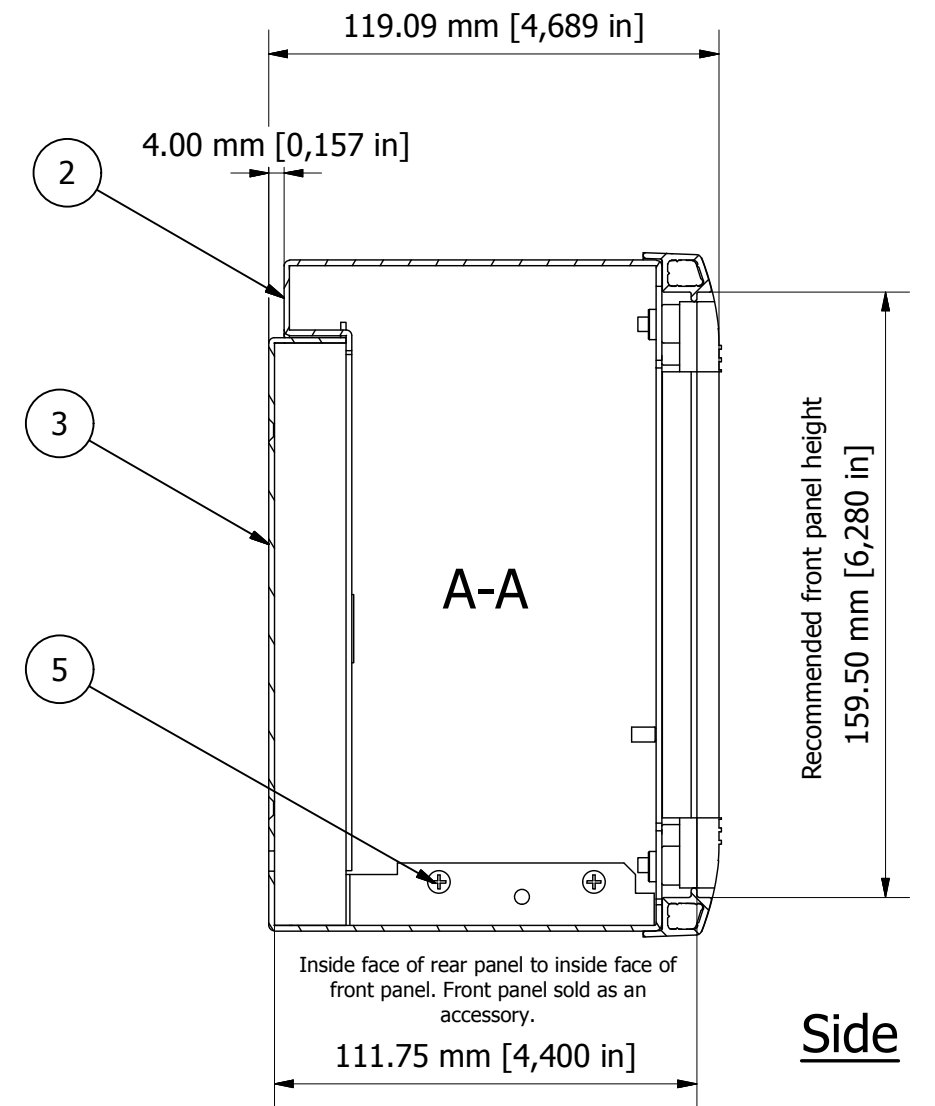
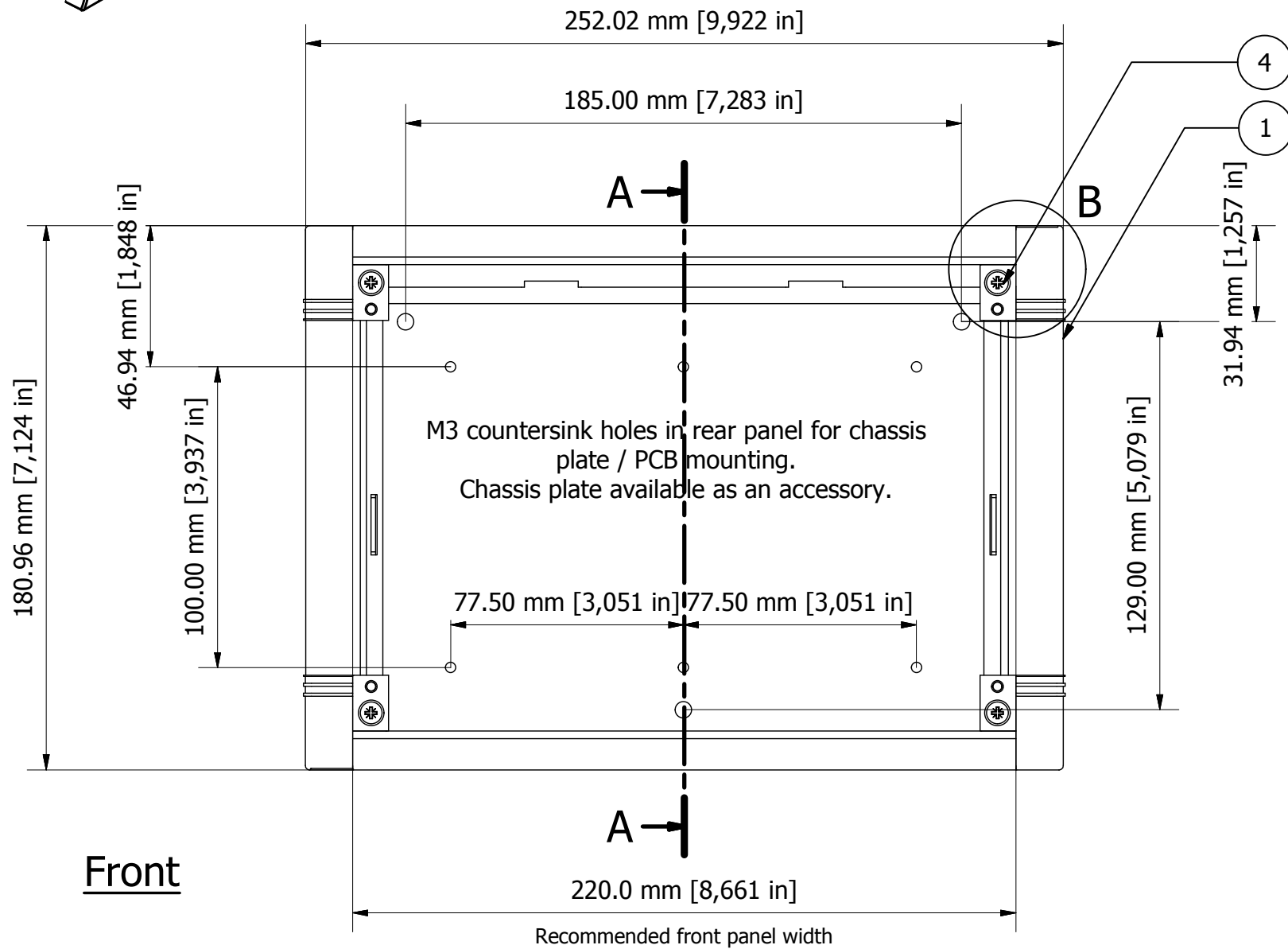


PARTS LIST			
ITEM	QTY	PART NUMBER	DESCRIPTION
1	1	M5802025	Bezel Assembly
2	1	M5801025	Top Cover
3	1	M5801026	Rear Cover
4	4	M4 x 16 CSK Screw	Bezel Fixing Screws
5	4	M4 x 6 mm Pan Screw	Cover Fixing Screws



Build & Finish.
All parts are made from aluminium, except hardware. The finish is fine texture epoxy polyester powder paint. The case is fabricated from 1.5 mm material & then painted RAL 7035. The bezel is aluminium die castings & extrusions & then painted RAL 7040.

FIRST ANGLE PROJECTION

Designed by L Clark	Description Datamet S	Date 17/04/2013	Scale 1:2
METCASE ENCLOSURES 15 Brunel Way, Segensworth East, Fareham, Hampshire, UK. PO15 5TX Tel: +44 (0)1489 583858 Email: metcase@okw.co.uk		METcase™ www.metcase.com Part Number M5825105	
		Issue 1	Sheet 1 / 1

© OKW Enclosures Ltd (Date as shown). This drawing contains proprietary information of OKW Enclosures Ltd and is tendered subject to the following conditions. The information be retained in confidence, not be reproduced or copied, and not be used or incorporated in any product, unless permission is obtained in writing from OKW Enclosures Ltd.