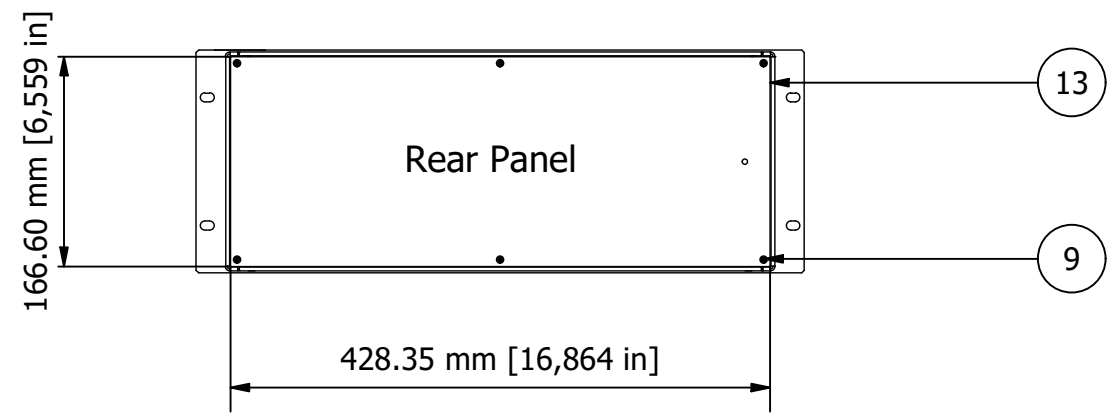
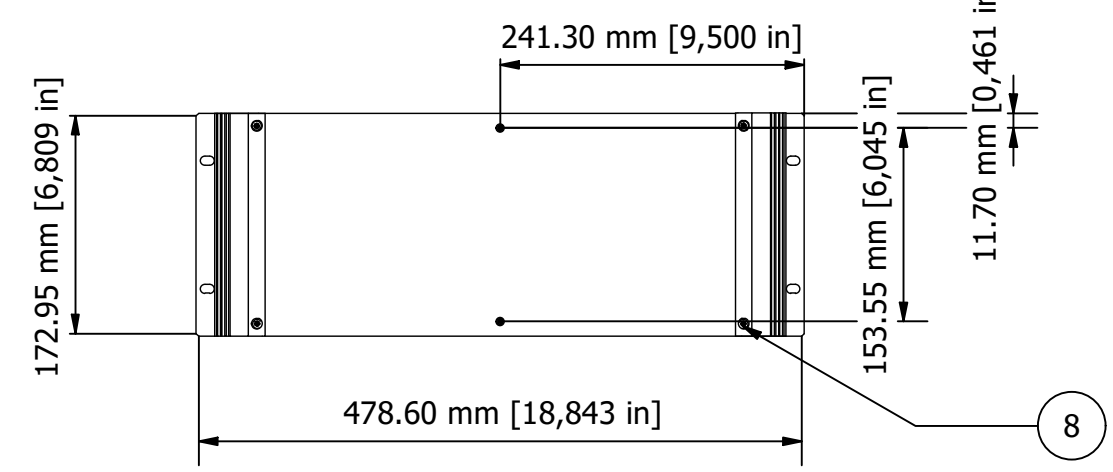


**NOTES.**  
 Case metalwork is made from 1.5 mm aluminium and painted RAL 7035 fine texture light grey.  
 Front panel is made from 3 mm aluminium with a clear etch & anodise finish.  
 Handles made from an aluminium extrusion & painted RAL 7035 fine texture light grey.  
 All parts are fitted with M4 studs for earth use.



PARTS LIST			
ITEM	QTY	PART NUMBER	DESCRIPTION
3	1	M6203075	Top Cover
4	1	M6203055	Base Panel
7	14	M3x8 CSK Screw	Assembly Screws
8	4	M4x16 Screw	Front Panel Screws
9	6	M3x8 Pan Screw	Rear Panel Screws
11	1	M6219040	Front Panel
12	2	M6202455	Side Panels
13	1	M6201045	Rear Panel
14	2	M6200405	Handles

FIRST ANGLE PROJECTION

Designed by L Clark	Description Combimet 4U x 19" x 365 mm Unvented	Date 03/02/2022	Scale 1:6
<b>METCASE ENCLOSURES</b> 15 Brunel Way, Segensworth East, Fareham, Hampshire, PO15 5TX, UK. Tel: +44 (0)1489 583858 Email: metcase@okw.co.uk		<b>METcase™</b> www.metcase.com Part Number <b>M6219455</b>	
		Issue 2	Sheet 1 / 1

© OKW Enclosures Ltd (Date as shown). This drawing contains proprietary information of OKW Enclosures Ltd and is tendered subject to the following conditions. The information be retained in confidence, not be reproduced or copied, and not be used or incorporated in any product, unless permission is obtained in writing from OKW Enclosures Ltd.