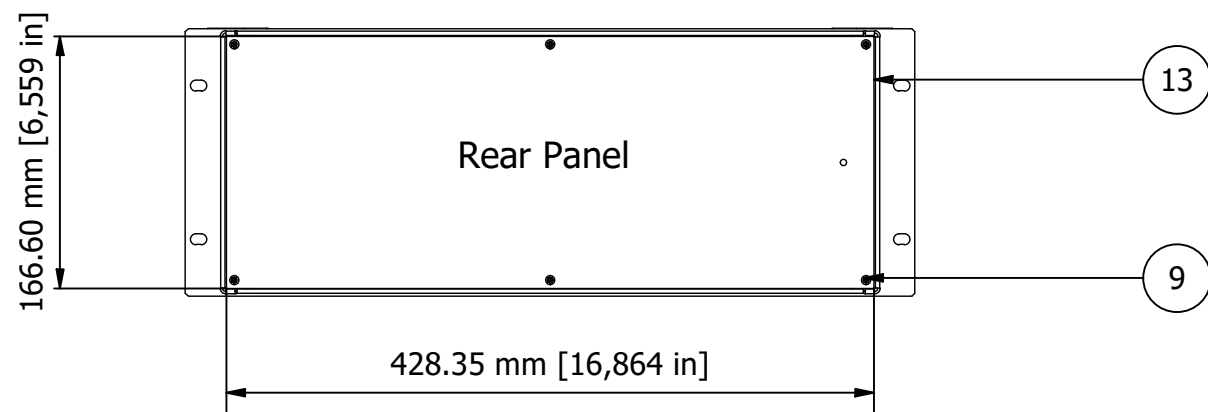
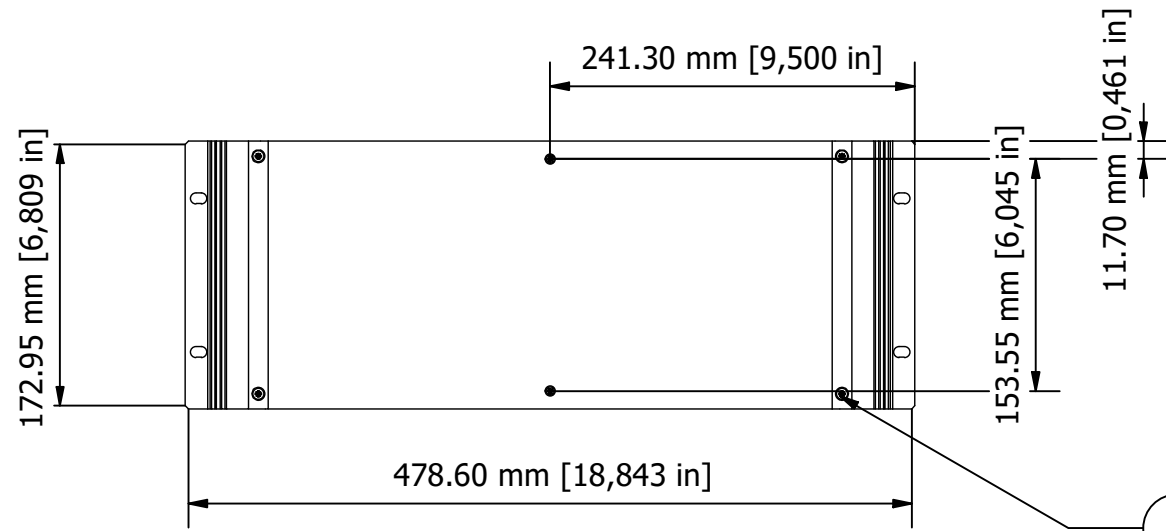


NOTES.

Case metalwork is made from 1.5 mm aluminium and painted RAL 9005 fine texture black.
 Front panel is made from 3 mm aluminium with a clear etch & anodise finish.
 Handles are made from an aluminium extrusion & also painted RAL 9005 fine texture black.
 All parts are fitted with M4 studs for earth use.



PARTS LIST			
ITEM	QTY	PART NUMBER	DESCRIPTION
3	2	M6203049	Top/Base Panel
8	4	M4x16 CSK Screw (B)	Front Panel Screws
9	6	M3x8 Pan Screw (B)	Rear Panel Screws
11	1	M6219040	Front Panel
12	2	M6202439	Side Panel
13	1	M6201049	Rear Panel
14	2	M6200409	Handles
15	12	M3x8 CSK Screw (B)	Cover Screws
16	2	M3x8 CSK Screw	Front Panel Screws

FIRST ANGLE PROJECTION

Designed by L Clark	Description Combimet 4U x 19" x 265 mm Vented	Date 03/02/2022	Scale 1:5
METCASE ENCLOSURES 15 Brunel Way, Segensworth East, Fareham, Hampshire, PO15 5TX, UK. Tel: +44 (0)1489 583858 Email: metcase@okw.co.uk		METcase™ www.metcase.com Part Number M6219449	
		Issue 2	Sheet 1 / 1