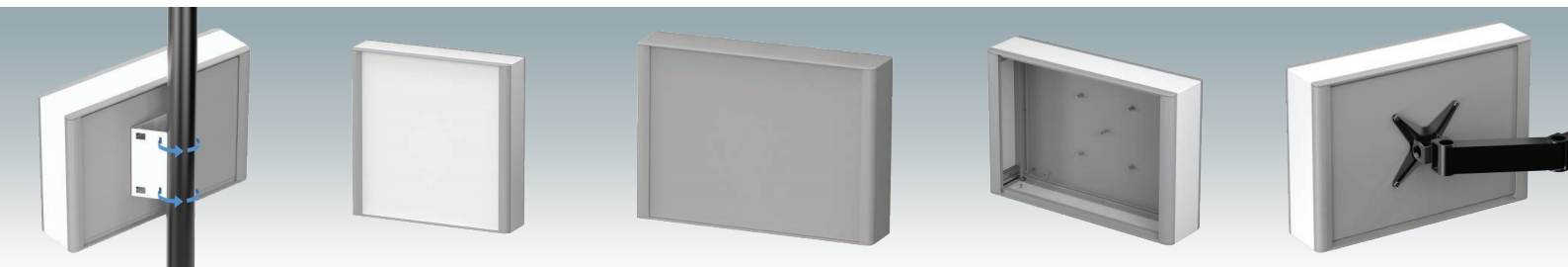


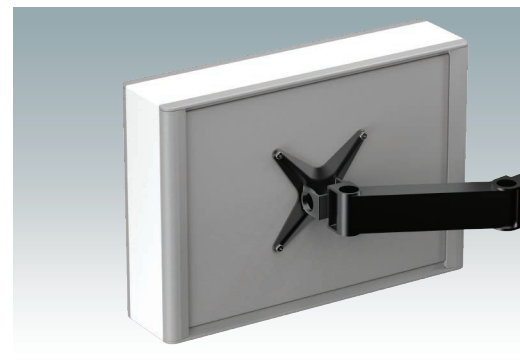
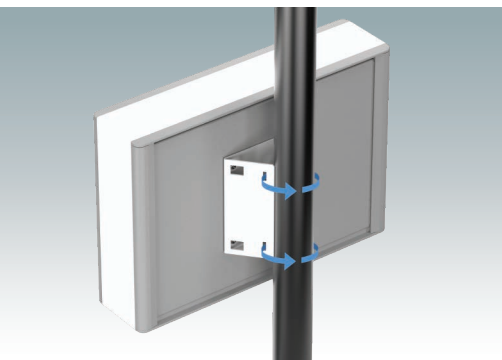
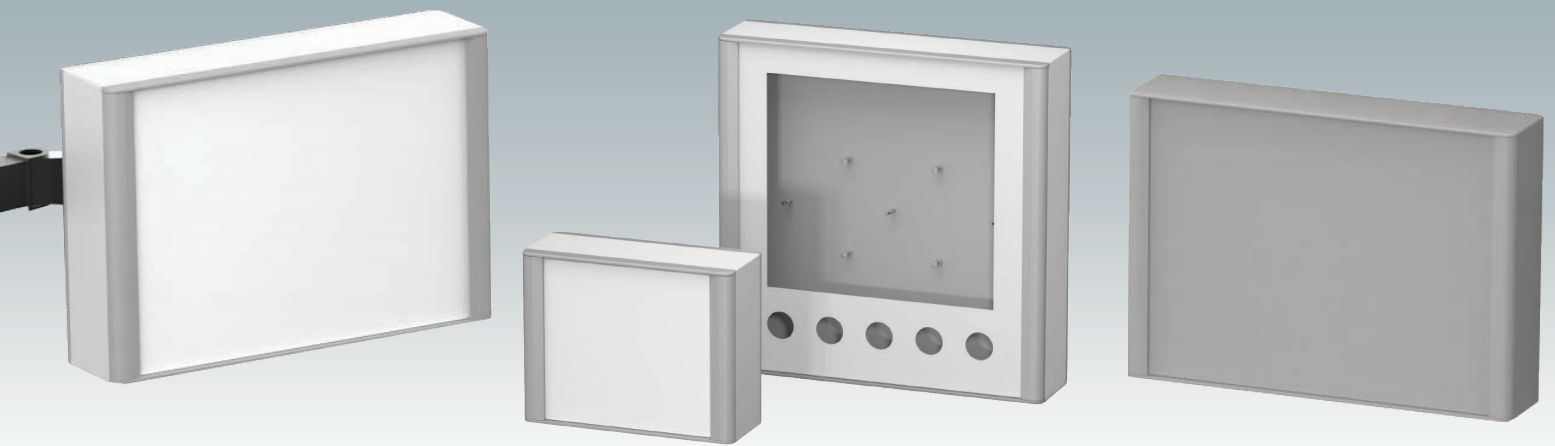
**NEW!**

## **TECHNOMET-CONTROL**

VESA-Mount Metal Enclosures  
For HMI Control Electronics



# TECHNOMET-CONTROL



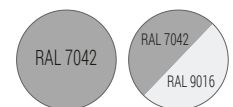
## Highly versatile VESA-mount enclosures for HMI control electronics

Advanced aluminum housings developed for the installation of standard displays, panel PCs, HMIs (Siemens, Beckhoff, B&R...) and touch screens of various sizes. Cohesive design in four standard sizes with a slim profile just 3.74" deep. Specifically suitable for Siemens TP/KTP/MTP displays, screen sizes 400 to 1200\*. Standard VESA MIS-D 100 mounting on the rear for a control arm, wall bracket etc. Diecast front/rear bezels fit flush with the case body for a smooth appearance. Standard internal mounting options – M3 PCB pillars on the rear panel, M3 holes and guide rails in the assembly extrusions for holding internal plates. Snap-on trims in the bezels hide all the assembly screws. Removable base panel on the underside with space for cable entry. All case panels fitted with M4 threaded pillars for earth connections. Anodized and painted front panels (accessories) – recessed in the bezels to protect displays, keypads etc. Direct wall/machine mounting (with accessory kit). Accessory pole mounting bracket for poles  $\varnothing$ 1.97" or larger. Accessory internal mount plate kit. Order your own fully customized version.

\*For Siemens TP Series mounting instructions datasheet, see our website.

## Standard colors

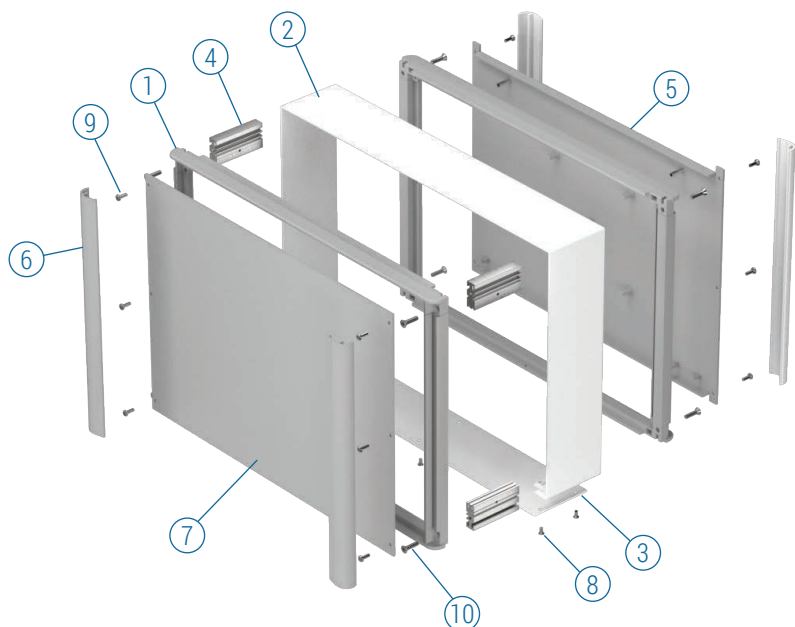
Traffic white RAL 9016.  
Traffic gray A RAL 7042.

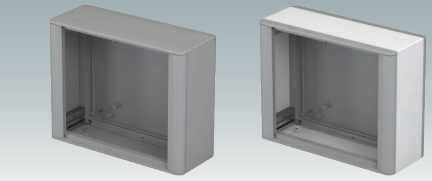
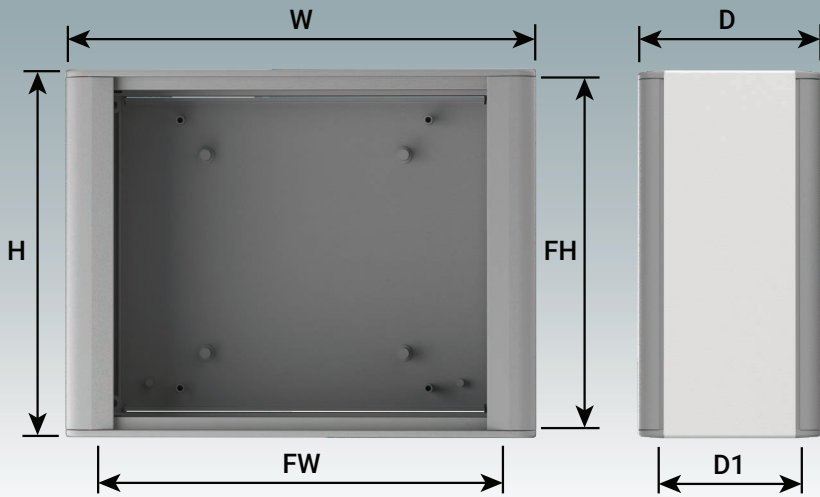


### Supply

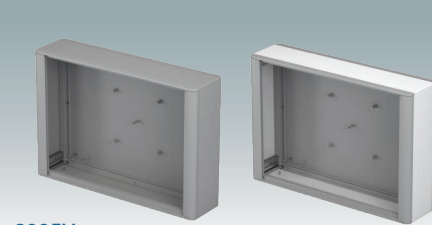
- ① Bezel (x2)
- ② Top cover
- ③ Base
- ④ Assembly extrusion (x4)
- ⑤ Rear panel
- ⑥ Bezel trim (x4)
- ⑦ Front panel\*
- ⑧ M3 x 6 mm
- ⑨ M3 x 8 mm
- ⑩ M4 x 16 mm

\*accessory  
Supplied assembled.

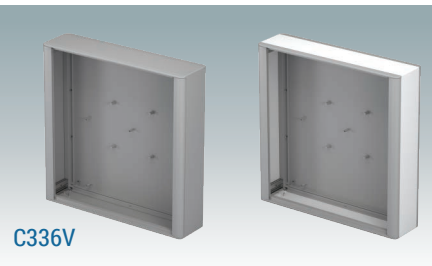
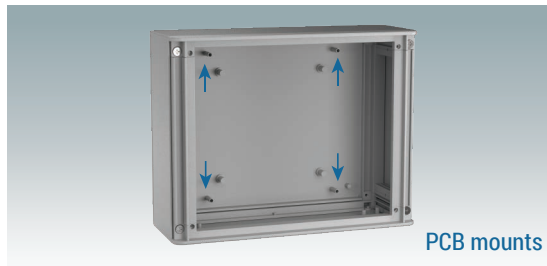
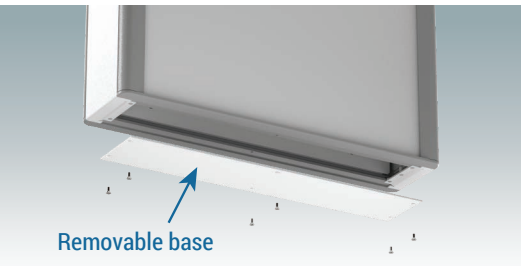




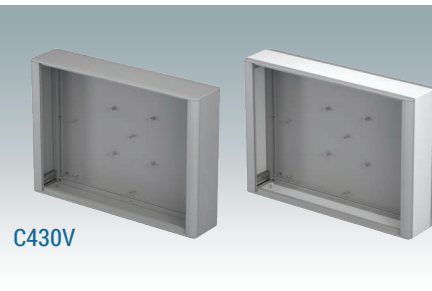
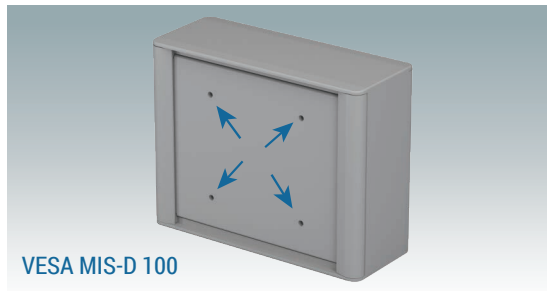
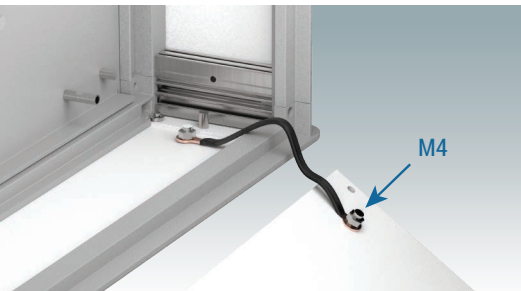
C218V



C325V



C336V

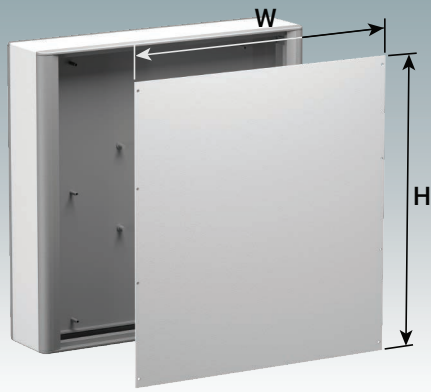


C430V

## TECHNOMET-CONTROL

Part No.	Color	Version	W	H	D	D1	FW Front Panel	FH Front Panel	PCB W (max.)	PCB H (max.)
M70 23 002	RAL 7042	C218V	9.05"	7.09"	3.74"	3.11"	7.95"	6.72"	7.13"	6.10"
M70 23 006	RAL 7042/9016	C218V	9.05"	7.09"	3.74"	3.11"	7.95"	6.72"	7.13"	6.10"
M70 36 102	RAL 7042	C325V	14.17"	8.84"	3.74"	3.11"	13.07"	9.48"	12.24"	8.86"
M70 36 106	RAL 7042/9016	C325V	14.17"	8.84"	3.74"	3.11"	13.07"	9.48"	12.24"	8.86"
M70 36 402	RAL 7042	C336V	14.17"	14.17"	3.74"	3.11"	13.07"	13.81"	12.24"	13.19"
M70 36 406	RAL 7042/9016	C336V	14.17"	14.17"	3.74"	3.11"	13.07"	13.81"	12.24"	13.19"
M70 42 202	RAL 7042	C430V	16.53"	11.81"	3.74"	3.11"	15.43"	11.45"	14.61"	10.83"
M70 42 206	RAL 7042/9016	C430V	16.53"	11.81"	3.74"	3.11"	15.43"	11.45"	14.61"	10.83"

For full 2D drawings and 3D models please see our website.



## Front Panels

**Material:**  
0.08" aluminum.

**Supply:**  
front panel (fixings included with enclosure).

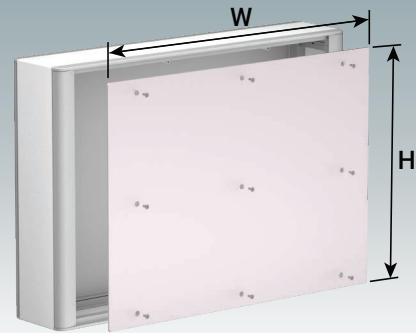
**Finish:**  
anodized or painted (traffic white RAL 9016 or traffic gray A RAL 7042).

Part No.	Color	For version	W	H
M70 00 700	Anodized	C218V	7.95"	6.72"
M70 00 720	RAL 9016	C218V	7.95"	6.72"
M70 00 740	RAL 7042	C218V	7.95"	6.72"
M70 00 702	Anodized	C325V	13.07"	9.48"
M70 00 722	RAL 9016	C325V	13.07"	9.48"
M70 00 742	RAL 7042	C325V	13.07"	9.48"
M70 00 704	Anodized	C336V	13.07"	13.81"
M70 00 724	RAL 9016	C336V	13.07"	13.81"
M70 00 744	RAL 7042	C336V	13.07"	13.81"
M70 00 706	Anodized	C430V	15.43"	11.45"
M70 00 726	RAL 9016	C430V	15.43"	11.45"
M70 00 746	RAL 7042	C430V	15.43"	11.45"

## Internal Mounting Plate Kit

**Material:**  
0.06" unfinished aluminum.

**Supply:**  
mounting plate and fixing screws.



Part No.	For version	W	H
M70 00 940	C218V	7.13"	6.10"
M70 00 942	C325V	12.24"	8.86"
M70 00 944	C336V	12.24"	13.19"
M70 00 946	C430V	14.61"	10.83"

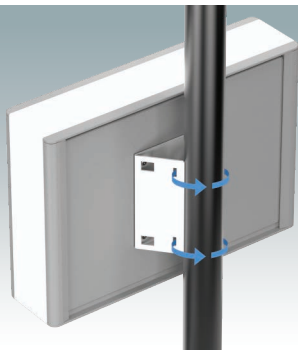
## Pole Mounting Kit

Pole mounting bracket for fixing the enclosure to a pole  $\varnothing 1.97"$  or larger (mounting straps not included). Fits to the VESA mounting holes on the rear panel.

**Material:**  
0.08" CR4 steel.

**Finish:**  
painted (traffic white RAL 9016).

**Supply:**  
bracket and fixing screws.



Part No.	For version	W	H
M70 00 920	All versions	4.71"	4.92"

## Wall Mounting Kit

**Material:**  
0.06" CR4 steel.

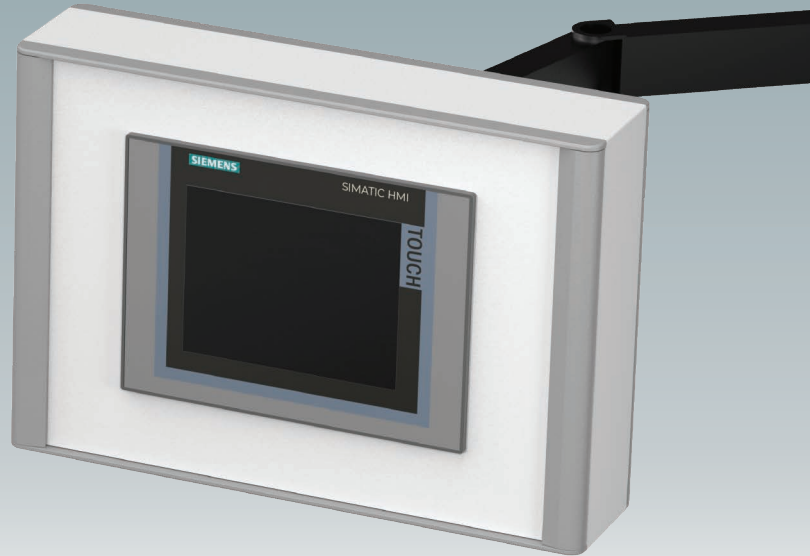
**Supply:**  
wall plate, enclosure bracket (x2) and fixing screws.

**Finish:**  
painted (traffic white RAL 9016).



Part No.	Type	For version
M70 00 900	S	C218V
M70 00 905	L	C325V, C336V, C430V





## Order your own customized version

We can supply the TECHNOMET-CONTROL enclosures fully customized to your individual technical specifications.

All external dimensions – height, width and depth – can be modified to ensure your PCB assemblies and equipment will fit exactly.

The enclosures and front panels can be machined with holes and cutouts for fitting displays, keypads, HMI touch panels (such as Siemens TP series), control buttons and connections.

Other services include adding inserts and screw bosses; custom colors and finishes; digital and silk-screen printing, and engraving.

Having a flexible manufacturing system allows us to offer very competitive prices without demanding large minimum order quantities. As few as 10 to 20 pieces can be produced on demand.

Our sales team will be very happy to discuss your requirements and help you specify your TECHNOMET-CONTROL enclosures exactly as you need them.



# METcase™

## MANUFACTURER

Metcase Enclosures  
A division of:  
OKW Enclosures Ltd.  
15 Brunel Way  
Segensworth East  
Fareham, Hampshire  
PO15 5TX  
United Kingdom

Telephone: +44 (0) 1489 583858  
Email: [sales@metcase.co.uk](mailto:sales@metcase.co.uk)  
Website: [www.metcase.co.uk](http://www.metcase.co.uk)

© OKW Enclosures Ltd. All rights reserved  
Catalogue Edition 1 – March 2024.  
This catalogue will be valid until 31/12/2025.  
Subject to technical modifications without notice.  
Typographical and other errors do not justify any  
claim for damages.  
Digital Version: 03/2024e

## Presented by:

Find your local sales partner here:



### OKW Enclosures, Inc.

3000 Old Pond Road,  
Bridgeville, PA 15017  
Phone: (412) 220 9244  
Toll Free: (800) 965 9872  
Email: [sales@metcaseusa.com](mailto:sales@metcaseusa.com)

[www.metcaseusa.com](http://www.metcaseusa.com)