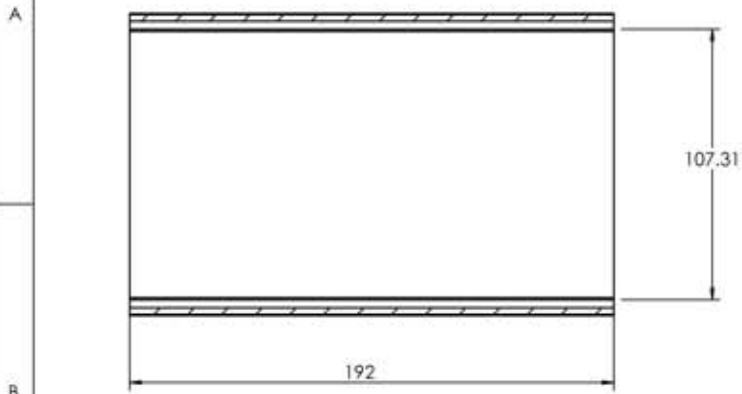
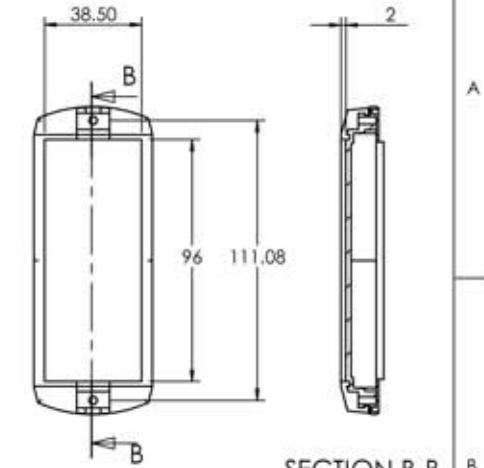
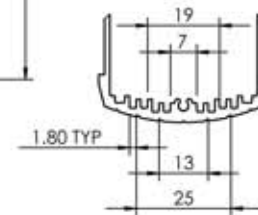
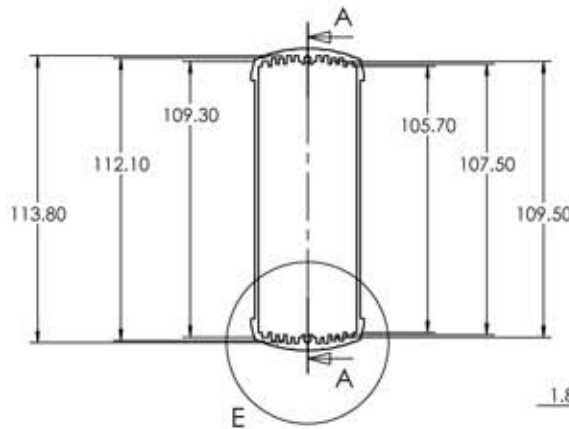


SECTION A-A
SCALE 1 : 3



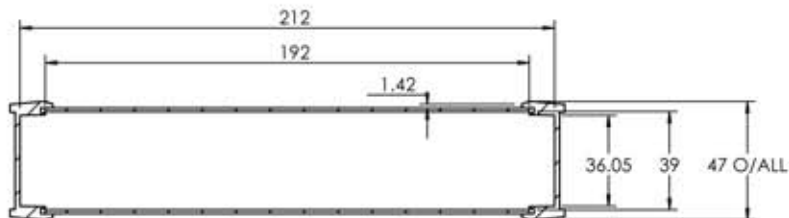
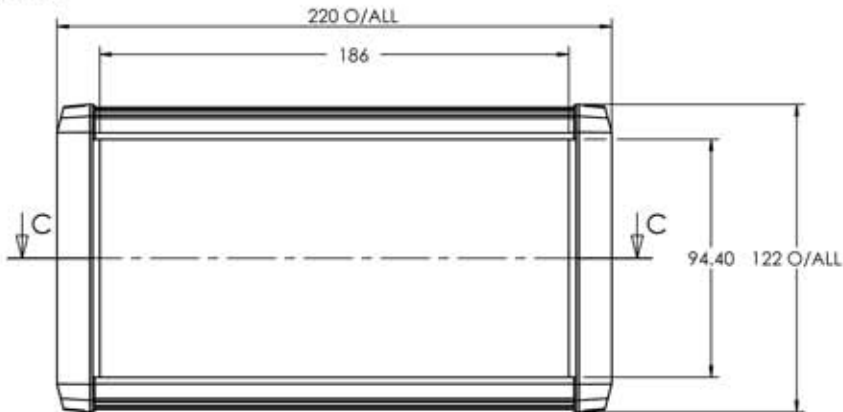
PROFILE



END COVER

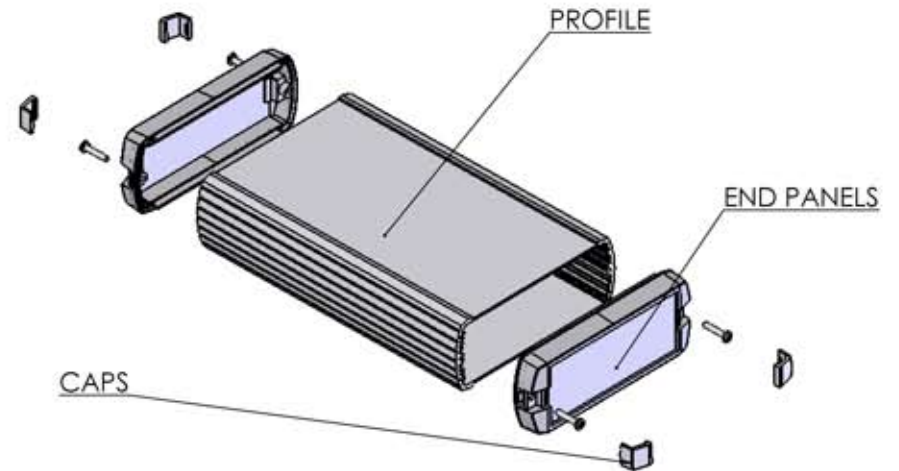
SECTION B-B

ASSEMBLY



SECTION C-C

ISO VIEW
1:4



RETEX

Represented in North America by
METCASE Enclosures, a division of **OKW Enclosures, Inc.**
Web: www.metcaseusa.com
Toll Free: 800-965-9872, Tel: 412-220-9244
email: sales@okwenclosures.com

UNLESS OTHERWISE SPECIFIED:
DIMENSIONS ARE IN MILLIMETERS

DO NOT SCALE DRAWING

REVISION: 0

FINISH:
EPOXY PAINT

TITLE:

**GNL ASSEMBLY DRG FOR
50 SERIES**

	NAME	SIGNED	DATE
DRAWN	L SUBKHANKULOVA	LS	24/12/08
CHKD	STUART HARDINGE	SH	05/01/09

MATERIAL:
ALUMINIUM

DWG NO.

31150006

A4

PROJECTION:

SCALE: 1 : 3

SHEET 1 OF 1