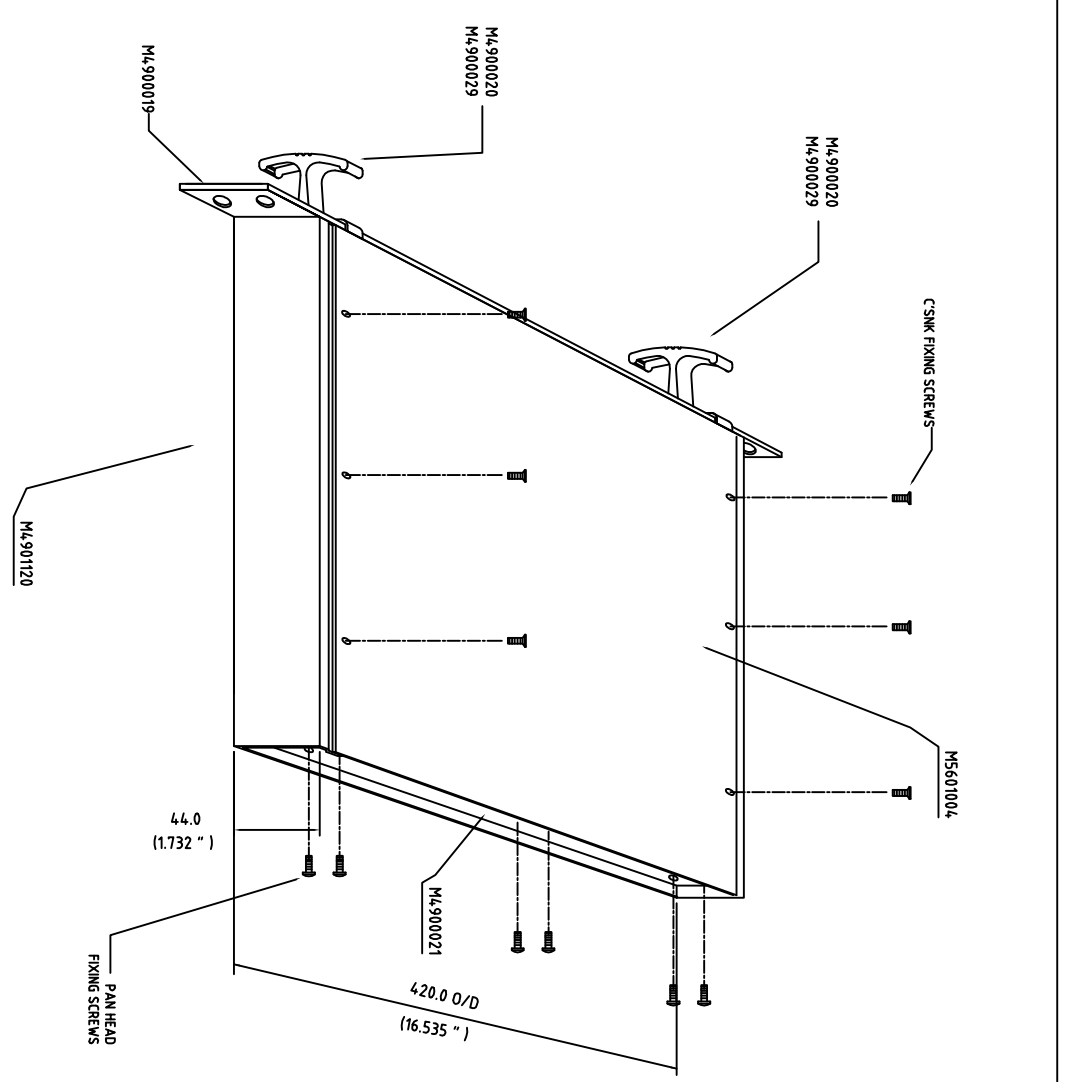
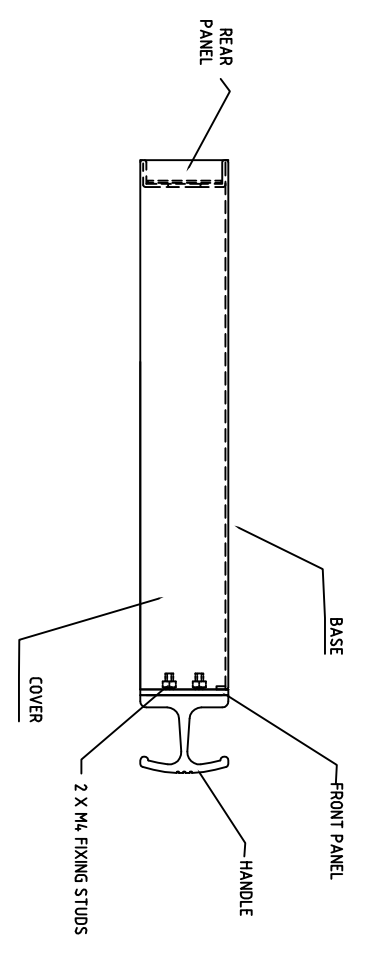
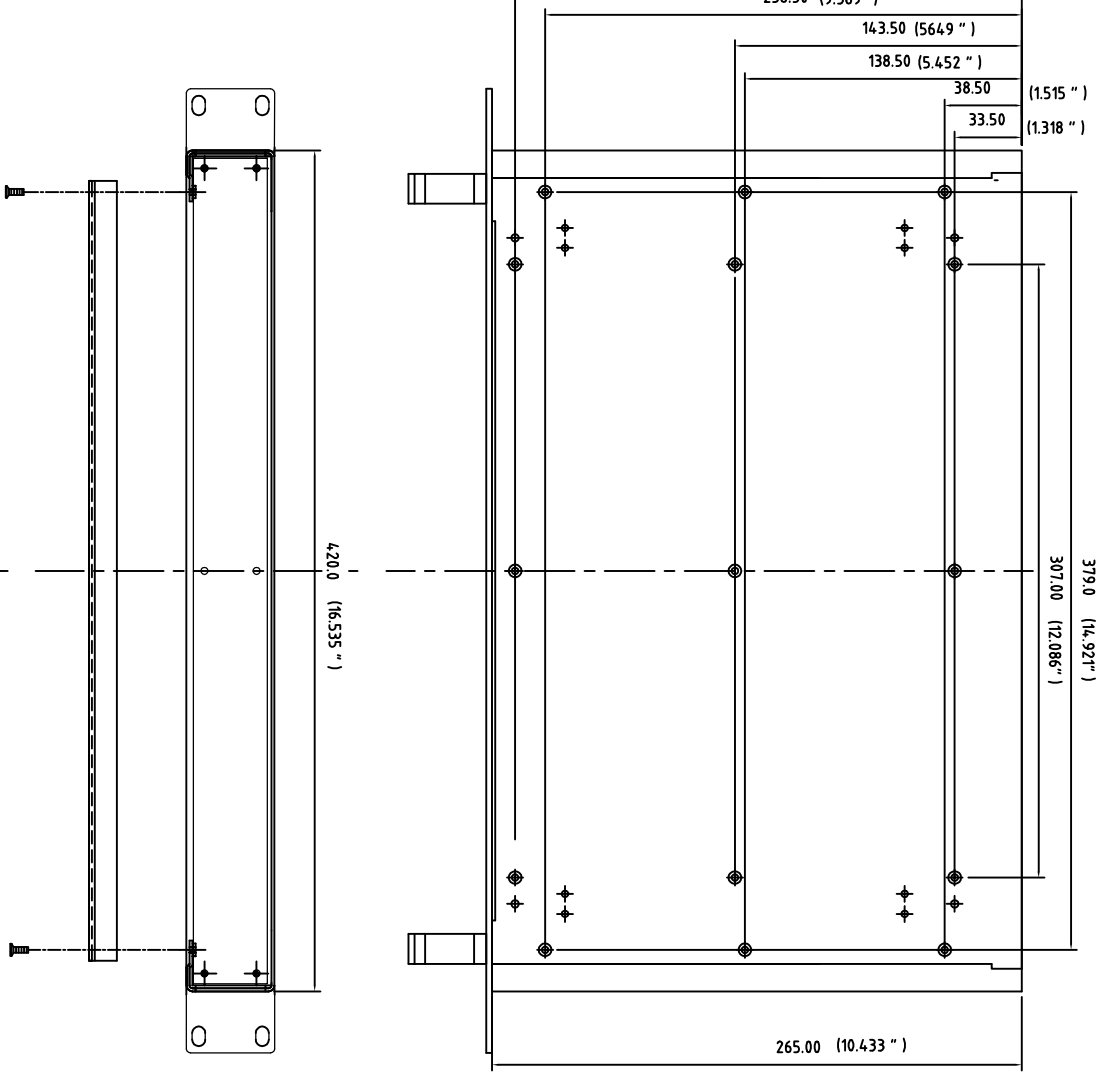
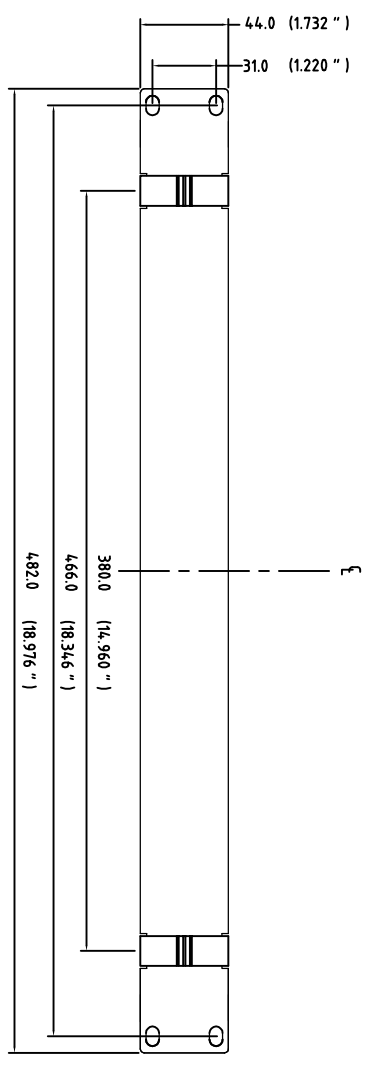


FIRST ANGLE PROJECTION

Modifications

ISS  
1



Case is fabricated from 1.5mm (0.059") aluminium sheet with a 3mm (0.118") thick aluminium front panel.  
The handles are made from extruded aluminium.  
All assembly hardware is steel.

Tolerances unless otherwise stated:

General tolerances ±0.20  
Resultant tolerances between hole centers ±0.15  
Tolerances on hole diameters ±0.05  
Angles ± 0.5°  
Surface finish 32/

Required Finish:

Scale: 1:1

ALL DIMENSIONS IN MILLIMETRES

DO NOT SCALE

Drawn by: M YATES

Checked By:

Drawing Number

Date drawn: 11.6.07

Material Spec: Aluminium



METCASE ENCLOSURES  
15 Brunel Way  
Segensworth East, Fareham,  
Hampshire, PO15 5TX, UK.

Part Name: GENERAL ASSEMBLY 265 MM ENCLOSURE

www.metcase.com

Part Number: M4.91912X

ISS C

Sheet 1 of 1

©OKW ENCLOSURES LTD (DATE AS SHOWN). THIS DRAWING CONTAINS PROPRIETARY INFORMATION OF OKW ENCLOSURES LTD AND IS TENDERED SUBJECT TO THE FOLLOWING CONDITIONS: THE INFORMATION BE RETAINED IN CONFIDENCE; NOT BE REPRODUCED OR COPIED; AND NOT BE USED OR INCORPORATED IN ANY PRODUCT, UNLESS PERMISSION IS OBTAINED IN WRITING FROM OKW ENCLOSURES LTD.

A2