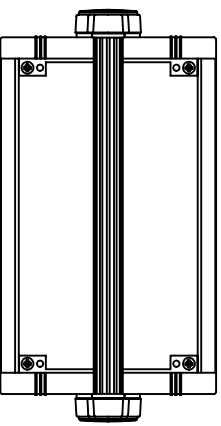
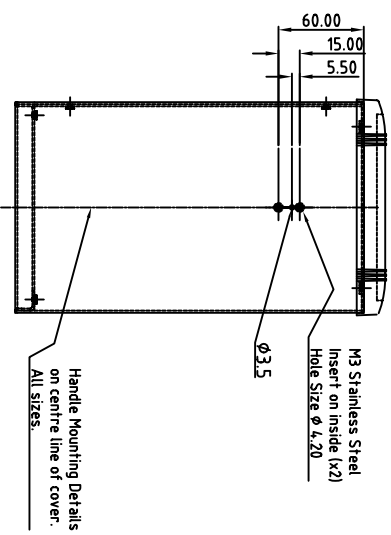
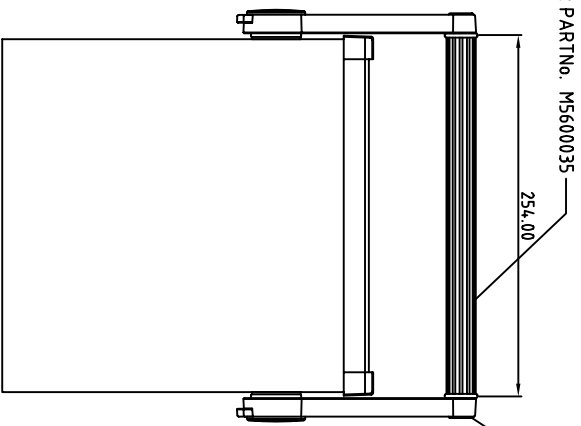
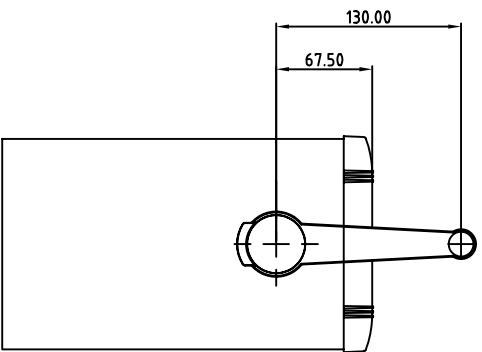


FIRST ANGLE PROJECTION



Modifications

Iss

HANDLE BAR PARTNO. M5600035

SIDE ARM KIT PARTNO. AS054231
(2 SIDE ARMS PER KIT)

1

Note: Subject to technical modifications without prior notice.
Typographical and other errors do not justify any claim for damages.
All dimensions should be verified using the actual case.

Tolerances unless otherwise stated:

General tolerances ± 0.20
Resultant tolerances between hole centers ± 0.15
Tolerances on hole diameters ± 0.05
Angles $\pm 0.5^\circ$
Surface finish $32/\sqrt{\quad}$

ALL DIMENSIONS IN MILLIMETRES

DO NOT SCALE

Scale: 1:5
Drawn by: Ian Cox
Checked by:
Drawing Number: Sizes5Handleassy
Date drawn: August '05
Material Spec:

METcase

METCASE ENCLLOSURES
Unit 3, Mitchell Close
Segensworth East, Fareham,
Hampshire, PO15 5SE, UK.

Part Name: UNIMET 5H
Part Number: M5625325

www.metcase.com

www.metcase.com

Part Number: M5625325

Sheet 1 of 1

OKW ENCLLOSURES LTD. DATE AS SHOWN. THIS DRAWING CONTAINS PROPRIETARY INFORMATION OF OKW ENCLLOSURES LTD AND IS TENDERED SUBJECT TO THE FOLLOWING CONDITIONS: THE INFORMATION BE RETAINED IN CONFIDENCE, NOT BE REPRODUCED OR COPIED, AND NOT BE USED OR INCORPORATED IN ANY PRODUCT, UNLESS PERMISSION IS OBTAINED IN WRITING FROM OKW ENCLLOSURES LTD.

A4