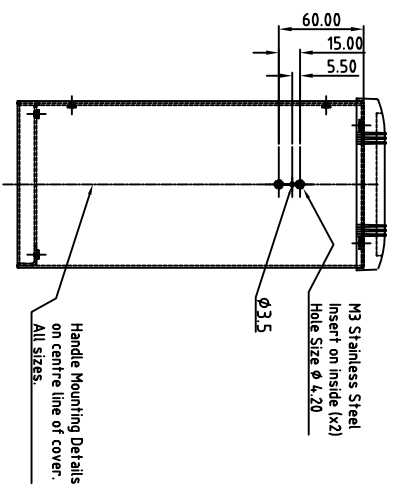
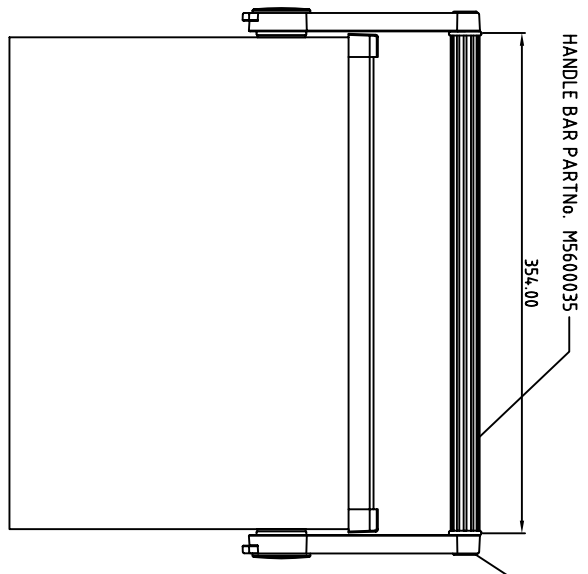
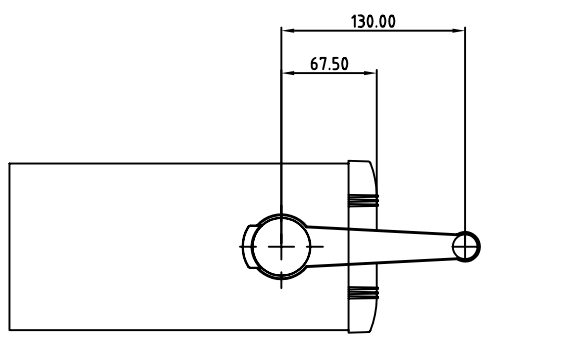


FIRST ANGLE PROJECTION

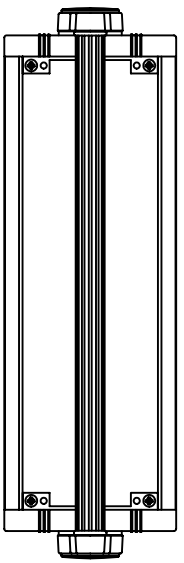
1 2 3 4 5 6 7 8 9 10

Modifications

1



SIDE ARM KIT PARTNO. AS054231
(2 SIDE ARMS PER KIT)



Note: Subject to technical modifications without prior notice.
Typographical and other errors do not justify any claim for damages.
All dimensions should be verified using the actual case.

Tolerances unless otherwise stated:

- General tolerances ± 0.20
- Resultant tolerances between hole centers ± 0.15
- Tolerances on hole diameters ± 0.05
- Angles $\pm 0.5^\circ$
- Surface finish $32/\sqrt{}$

Required Finish

Scale 1:5

Drawn By Ian COX

Checked By

Drawing Number

Date drawn

DO NOT SCALE

METcase

METCASE ENCLOSURES
Unit 3, Mitchell Close
Segensworth East, Fareham,
Hampshire, PO15 5SE, UK.

Part Name
UNIMET 4H

Size 4 Handle Assy

Material Spec

www.metcase.com

Part Number
M5635225

Date drawn
August '05

Sheet 1 of 1

OKW ENCLOSURES LTD. DATE AS SHOWN. THIS DRAWING CONTAINS PROPRIETARY INFORMATION OF OKW ENCLOSURES LTD AND IS TENDERED SUBJECT TO THE FOLLOWING CONDITIONS: THE INFORMATION BE RETAINED IN CONFIDENCE, NOT BE REPRODUCED OR COPIED, AND NOT BE USED OR INCORPORATED IN ANY PRODUCT, UNLESS PERMISSION IS OBTAINED IN WRITING FROM OKW ENCLOSURES LTD.

A4