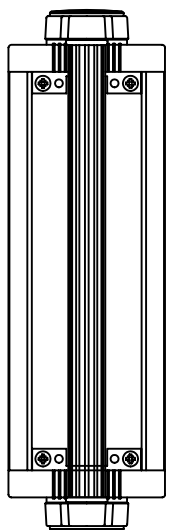
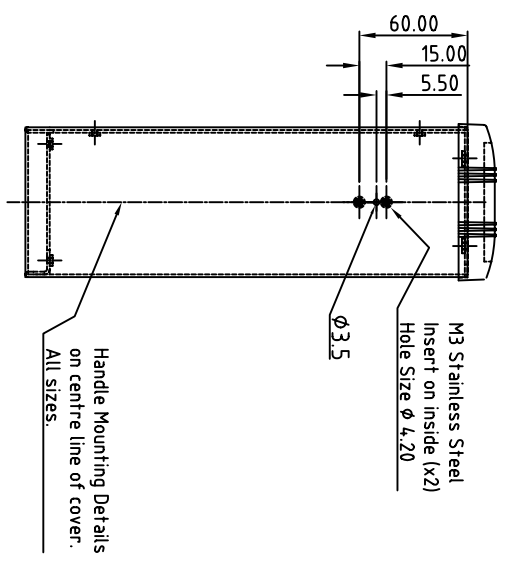
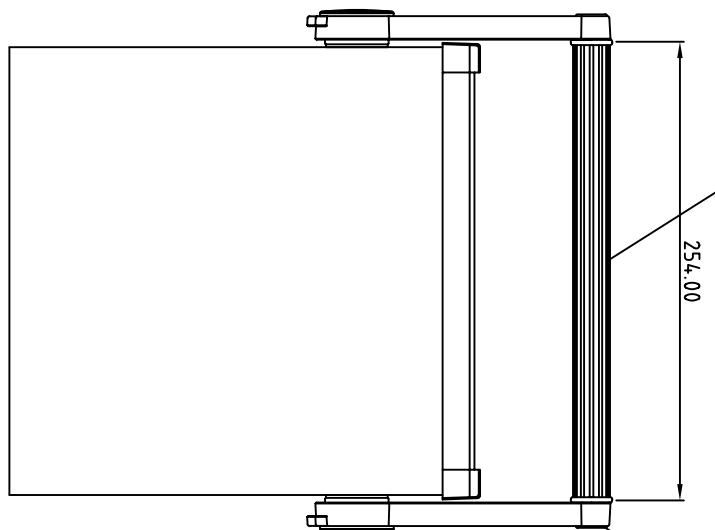
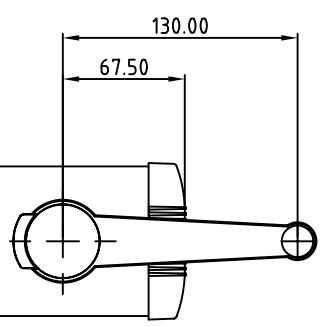


FIRST ANGLE PROJECTION

HANDLE BAR PARTNO. M5600025

SIDE ARM KIT PARTNO. AS054231  
(2 SIDE ARMS PER KIT)



Note: Subject to technical modifications without prior notice.  
Typographical and other errors do not justify any claim for damages.  
All dimensions should be verified using the actual case.

Modifications  
1

Tolerances unless  
otherwise stated:

General tolerances  $\pm 0.20$   
Resultant tolerances between  
hole centers  $\pm 0.15$   
Tolerances on hole diameters  $\pm 0.05$   
Angles  $\pm 0.5^\circ$   
Surface finish  $\sqrt{3.2}$

Required Finish

Scale 1:4

Drawn by  
Ian Cox

Checked by

Drawing Number

Size: Handleadassy

Date drawn

August '05

DO NOT SCALE  
Material Spec

**METcase**

METCASE ENCLOSURES  
Unit 3, Mitchell Close  
Segensworth East, Fareham,  
Hampshire, PO15 5SE, UK.

Part Name  
UNIMET 3H

WWW.METCASE.COM

Part Number  
M5625125

Sheet 1 of 1

OKW ENCLOSURES LTD. DATE AS SHOWN. THIS DRAWING CONTAINS PROPRIETARY INFORMATION OF OKW ENCLOSURES LTD AND IS TENDERED SUBJECT TO THE FOLLOWING CONDITIONS: THE INFORMATION BE RETAINED IN CONFIDENCE, NOT BE REPRODUCED OR COPIED, AND NOT BE USED OR INCORPORATED IN ANY PRODUCT, UNLESS PERMISSION IS OBTAINED IN WRITING FROM OKW ENCLOSURES LTD.

A4