

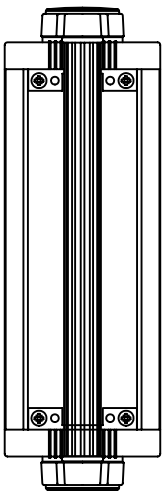
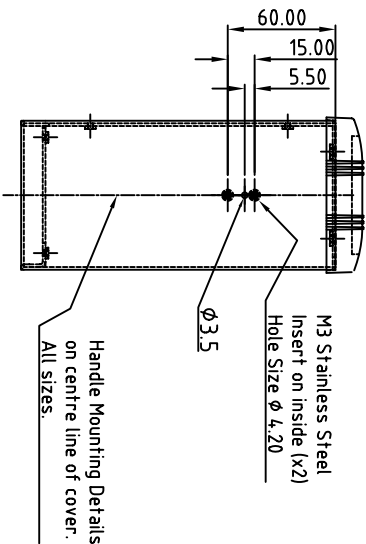
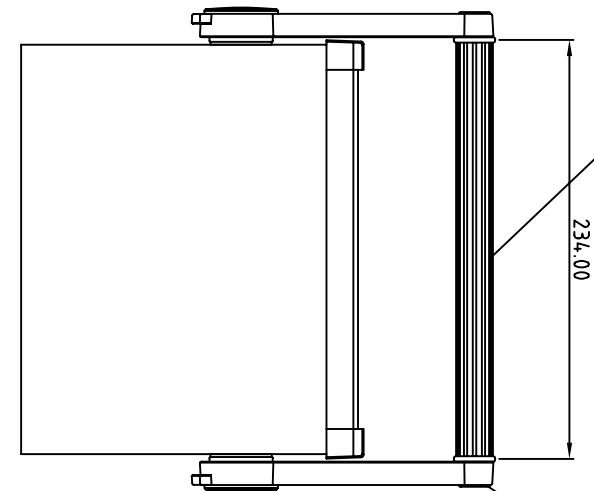
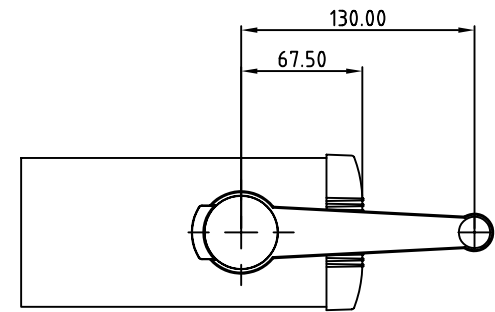
FIRST ANGLE PROJECTION

Modifications

HANDLE BAR PARTNO. M5600023

SIDE ARM KIT PARTNO. AS054231  
(2 SIDE ARMS PER KIT)

1



Note: Subject to technical modifications without prior notice.  
Typographical and other errors do not justify any claim for damages.  
All dimensions should be verified using the actual case.

Tolerances unless otherwise stated:

- General tolerances  $\pm 0.20$
- Resultant tolerances between hole centers  $\pm 0.15$
- Tolerances on hole diameters  $\pm 0.05$
- Angles  $\pm 0.5^\circ$
- Surface finish  $\sqrt{32}$

Required Finish:

Scale: 1:4

ALL DIMENSIONS IN MILLIMETRES

DO NOT SCALE

Drawn By: Ian Cox

Checked By:

Drawing Number:

Size: 2 Handle Assy

Date drawn:

August '05

Material Spec:

**METcase**

METCASE ENCLOSURES  
Unit 3, Mitchell Close  
Segensworth East, Fareham,  
Hamshire, PO15 5SE, UK.

Part Name: UNIMET 2H

www.metcase.com

Part Number: M5623125

Sheet 1 of 1

OKW ENCLOSURES LTD. DATE AS SHOWN. THIS DRAWING CONTAINS PROPRIETARY INFORMATION OF OKW ENCLOSURES LTD AND IS TENDERED SUBJECT TO THE FOLLOWING CONDITIONS: THE INFORMATION BE RETAINED IN CONFIDENCE, NOT BE REPRODUCED OR COPIED, AND NOT BE USED OR INCORPORATED IN ANY PRODUCT, UNLESS PERMISSION IS OBTAINED IN WRITING FROM OKW ENCLOSURES LTD.

A4