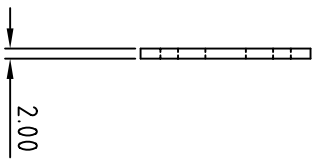
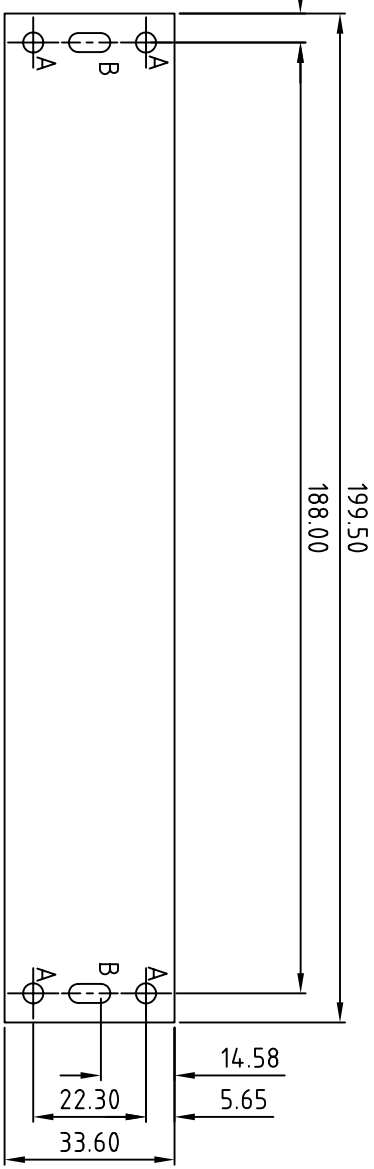
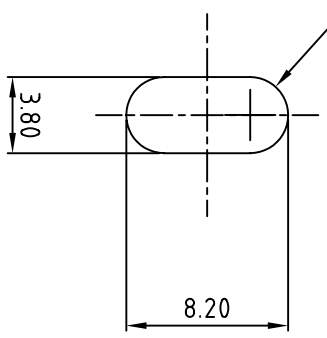


FIRST ANGLE PROJECTION

1 2 3 4 5 6 7 8 9 10



Full Rad DETAIL 'B' (4:1)



TOLERANCES  
 LINEAR  $\pm 0.1$   
 ANGULAR  $\pm 0.25^\circ$

Material is 2mm aluminium with an etch and clear anodise finish.

Note: Subject to technical modifications without prior notice. Typographical and other errors do not justify any claim for damages. All dimensions should be verified using the actual case.

Modifications  
 1

Iss

Tolerances unless otherwise stated:

- General tolerances  $\pm 0.20$
- Resultant tolerances between hole centers  $\pm 0.15$
- Tolerances on hole diameters  $\pm 0.05$
- Angles  $\pm 0.5^\circ$
- Surface finish  $\sqrt{32}$

Required Finish

Scale

ALL DIMENSIONS IN MILLIMETRES

Date drawn

DO NOT SCALE



METCASE ENCLOSURES  
 Unit 3, Mitchell Close  
 Segensworth East, Fareham,  
 Hampshire, PO15 5SE, UK.

www.metcase.com

Part Name  
 Front Panel Kit 230 x 50

Part Number  
 M5700607

Sheet 1 of 1

OWN ENCLOSURES LTD DATE AS SHOWN. THIS DRAWING CONTAINS PROPRIETARY INFORMATION OF OWN ENCLOSURES LTD AND IS HEREBY SUBMITTED TO THE FOLLOWING CONDITIONS: THE INFORMATION BE RETAINED IN CONFIDENCE; NOT BE REPRODUCED OR COPIED, AND NOT BE USED OR INCORPORATED IN ANY PRODUCT, UNLESS PERMISSION IS OBTAINED IN WRITING FROM OWN ENCLOSURES LTD.

A3