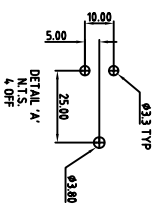
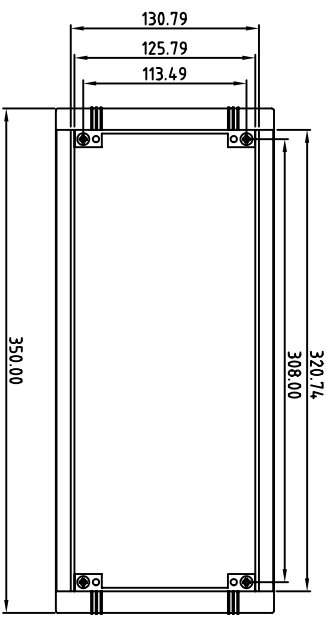
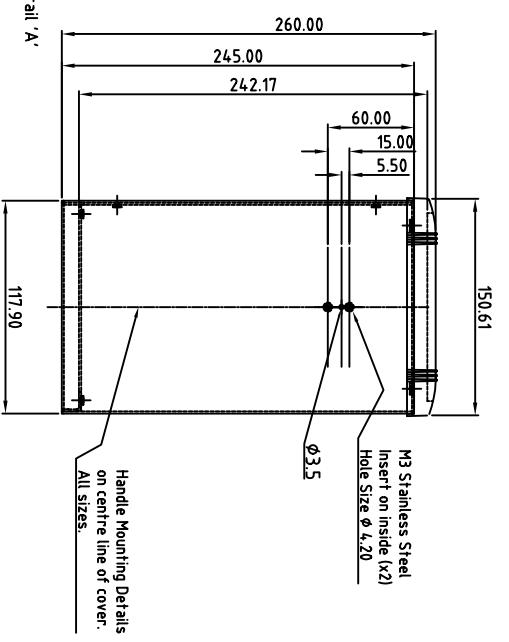
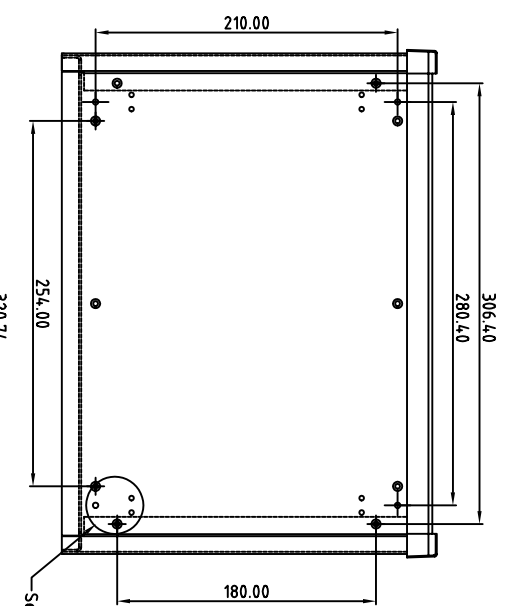
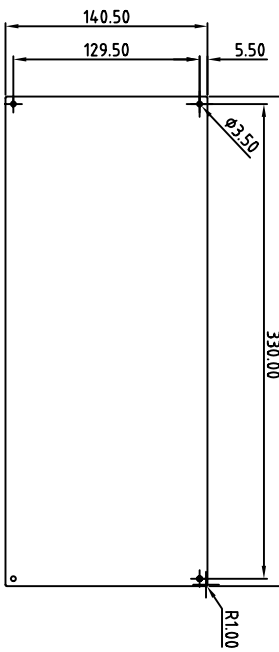
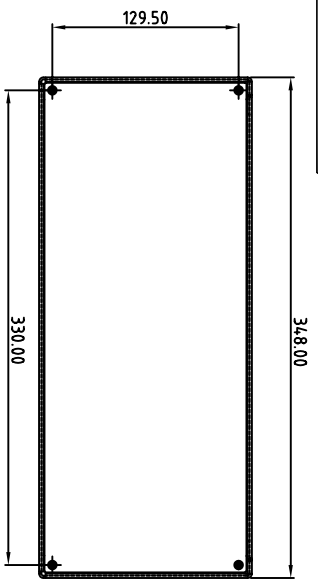


FIRST ANGLE PROJECTION



Note: Subject to technical modifications without prior notice.
 Typographical and other errors do not justify any claim for damages.
 All dimensions should be verified using the actual case.

Tolerances unless otherwise stated:

- General tolerances ± 0.20
- Resultant tolerances between hole centers ± 0.15
- Tolerances on hole diameters ± 0.05
- Angles $\pm 0.5^\circ$
- Surface finish $\sqrt{32}$

Scale: 1:5 ALL DIMENSIONS IN MILLIMETRES

Required Finish	Scale	ALL DIMENSIONS IN MILLIMETRES	DO NOT SCALE
Drawn By: Ian Cox	1:5	Drawing Number: M5635325	Material Spec:
Checked By:		Date drawn: August '05	

METcase
 METCASE ENCLOSURES
 Unit 3, Mitchell Close
 Segensworth East, Fareham,
 Hampshire, PO15 5SE, UK.

Part Name: UNIMET 6H
 Part Number: M5635325
 Sheet 1 of 1

www.metcase.com
 ORWV ENCLOSURES LTD DATE AS SHOWN. THIS DRAWING CONTAINS PROPRIETARY INFORMATION OF ORWV ENCLOSURES LTD AND IS TENDERED SUBJECT TO THE FOLLOWING CONDITIONS: THE INFORMATION BE RETAINED IN CONFIDENCE, NOT BE REPRODUCED OR COPIED, AND NOT BE USED OR INCORPORATED IN ANY PRODUCT, UNLESS PERMISSION IS OBTAINED IN WRITING FROM ORWV ENCLOSURES LTD.

Modifications
 1

Iss

A4