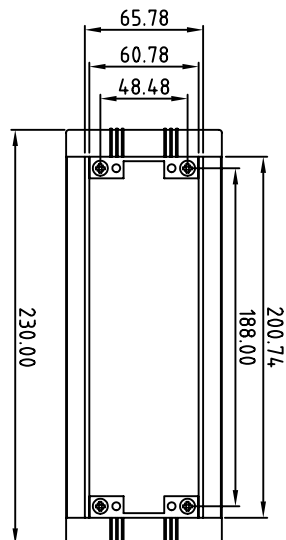
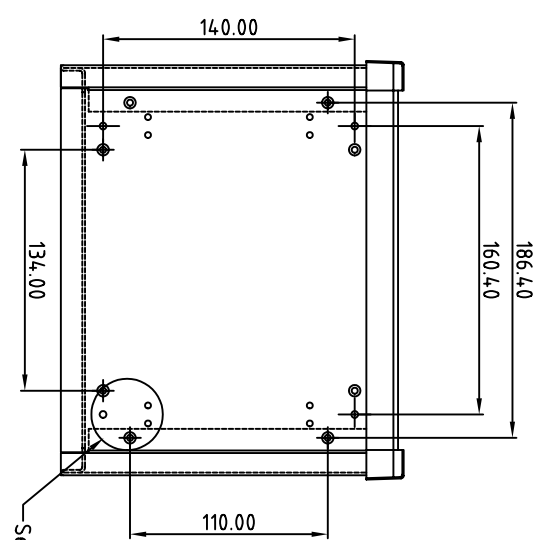
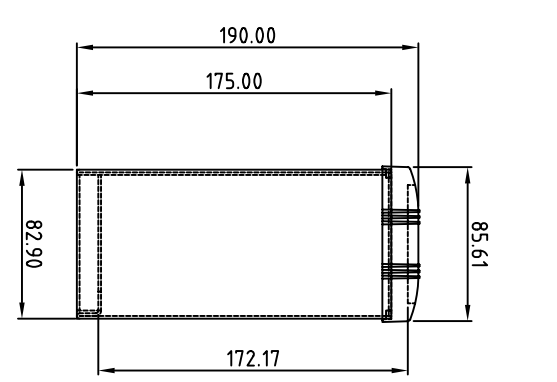
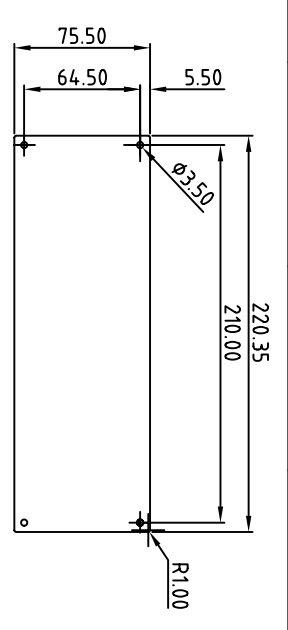
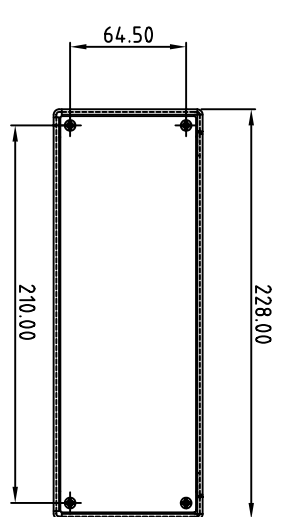
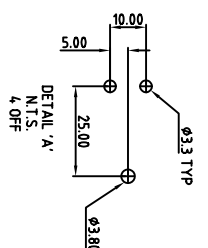


FIRST ANGLE PROJECTION



See Detail 'A'



Note: Subject to technical modifications without prior notice.
 Typographical and other errors do not justify any claim for damages.
 All dimensions should be verified using the actual case.

Modifications	Iss
1	1

Tolerances unless otherwise stated:
 General tolerances ± 0.20
 Resultant tolerances between hole centers ± 0.15
 Tolerances on hole diameters ± 0.05
 Angles $\pm 0.5^\circ$
 Surface finish $\sqrt{32}$

Required Finish: Scale: 1:4 ALL DIMENSIONS IN MILLIMETRES DO NOT SCALE

Drawn by: Ian COX Checked by: Drawing Number: M5623105 Date drawn: August '05 Material Spec:

METcase METCASE ENCLOSURES Part Name: UNIMET 2
 Unit 3, Mitchell Close Segensworth Fast, Fareham, Hampshire, PO15 5SE, UK. Part Number: M5623105

WWW.METCASE.COM Sheet 1 of 1
 OKW ENCLOSURES LTD. DATE AS SHOWN. THIS DRAWING CONTAINS PROPRIETARY INFORMATION OF OKW ENCLOSURES LTD AND IS TENDERED SUBJECT TO THE FOLLOWING CONDITIONS. THE INFORMATION BE RETAINED IN CONFIDENCE, NOT BE REPRODUCED OR COPIED, AND NOT BE USED OR INCORPORATED IN ANY PRODUCT, UNLESS PERMISSION IS OBTAINED IN WRITING FROM OKW ENCLOSURES LTD. A4