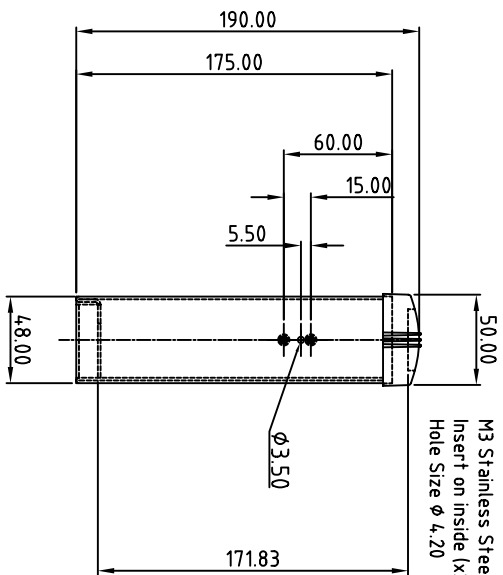
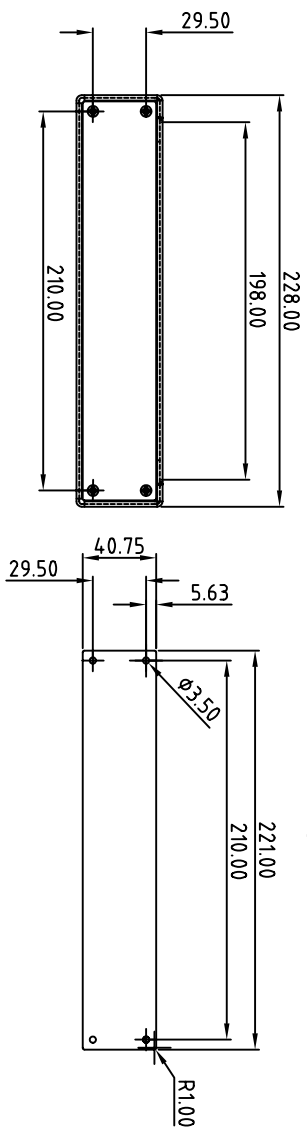
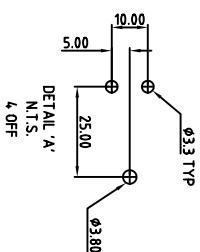
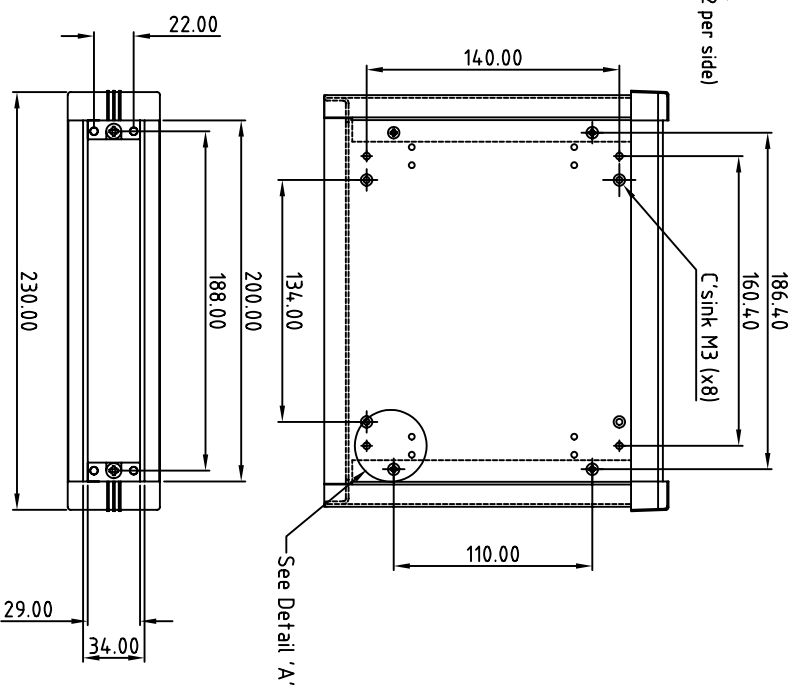


FIRST ANGLE PROJECTION

Note: Subject to technical modifications without prior notice.  
 Typographical and other errors do not justify any claim for damages.  
 All dimensions should be verified using the actual case.



Handle Mounting Details  
 on centre line of cover.  
 All sizes.



Tolerances unless  
 otherwise stated:

- General tolerances  $\pm 0.20$
- Resistant tolerances between hole centers  $\pm 0.15$
- Tolerances on hole diameters  $\pm 0.05$
- Angles  $\pm 0.5^\circ$
- Surface finish  $\sqrt{32}$

Required finish

Scale 1:4

Drawn By Ian Cox

Checked By

Drawing Number M5623025

Date drawn August '05

DO NOT SCALE

Material Spec.

Modifications

1

**METCASE**

METCASE ENCLOSURES  
 Unit 3, Mitchell Close  
 Segensworth East, Fareham,  
 Hampshire, PO15 5SE, UK.

Part Name UNIMET 1H

Part Number M5623025

Sheet 1 of 1

WWW.METCASE.COM  
 ©DKW ENCLOSURES LTD. DATE AS SHOWN. THIS DRAWING CONTAINS PROPRIETARY INFORMATION OF DKW ENCLOSURES LTD AND IS TENDERED SUBJECT TO THE FOLLOWING CONDITIONS: THE INFORMATION BE RETAINED IN CONFIDENCE, NOT BE REPRODUCED OR COPIED, AND NOT BE USED OR INCORPORATED IN ANY PRODUCT, UNLESS PERMISSION IS OBTAINED IN WRITING FROM DKW ENCLOSURES LTD.

A4