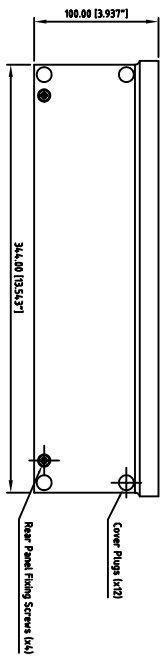
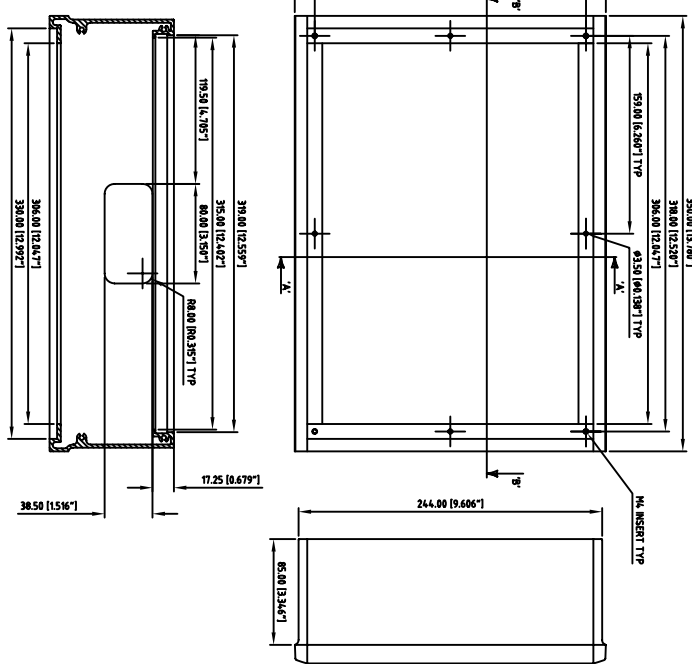
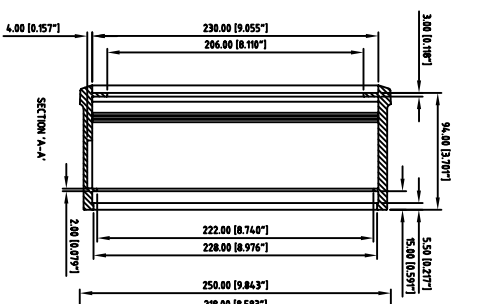
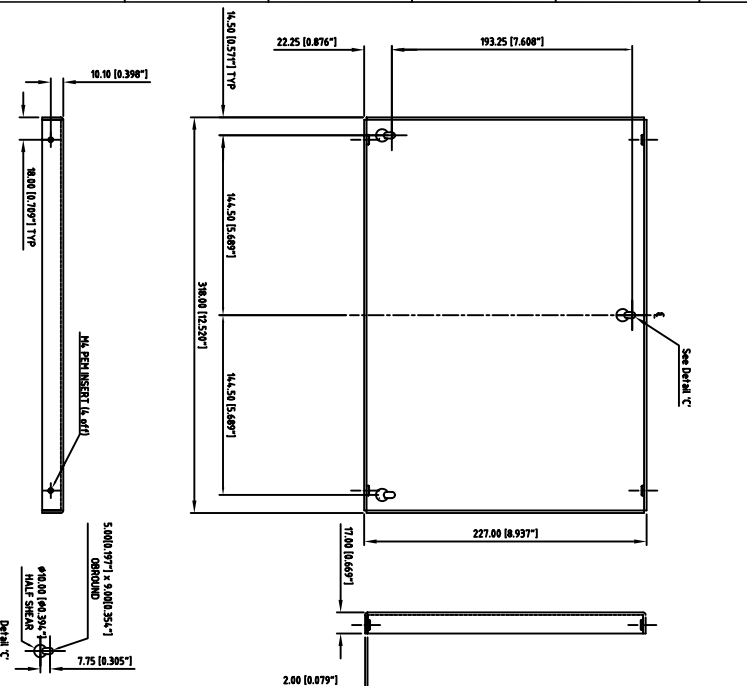


FIRST ANGLE PROJECTION

Note: Subject to technical modifications without prior notice.
 Typographical and other errors do not justify any claim for damages.
 All dimensions should be verified using the actual case.

Wall Mounting
 Rear Panel
 (Supplied with case)



Multitec Case 'W'
 Part No. M52 35 205

Tolerances unless otherwise stated:
 General tolerances ±0.20
 Resultant tolerances between hole centers ±0.15
 Tolerances on hole diameters ±0.05
 Angles ± 0.5°
 Surface finish 32/

| | | | | | | | |
|--------------------------|--|--|--|-------------------------------|--|------------------------|--|
| Required Finish: | | Scale: 1:4 | | ALL DIMENSIONS IN MILLIMETRES | | DO NOT SCALE | |
| Drawn by: Ian Cox | | Checked by: | | Drawing Number: M5235205 | | Date drawn: August '05 | |
| www.metcase.com | | Metcase ENCLOSURES | | Part Name: Multitec "L" | | Material Spec: | |
| Unit 3, Mitchell Close | | Segensworth East, Fareham, | | Part Number: M5235205 | | Sheet 1 of 1 | |
| Hampshire, PO15 5SE, UK. | | Metcase ENCLOSURES LTD DATE AS SHOWN. THIS DRAWING CONTAINS PROPRIETARY INFORMATION OF OR MENCLOSURES LTD AND IS TENDERED SUBJECT TO THE FOLLOWING CONDITIONS: THE INFORMATION BE RETAINED IN CONFIDENCE, NOT BE REPRODUCED OR COPIED, AND NOT BE USED OR INCORPORATED IN ANY PRODUCT, UNLESS PERMISSION IS OBTAINED IN WRITING FROM OR MENCLOSURES LTD. | | M5235205 | | A3 | |