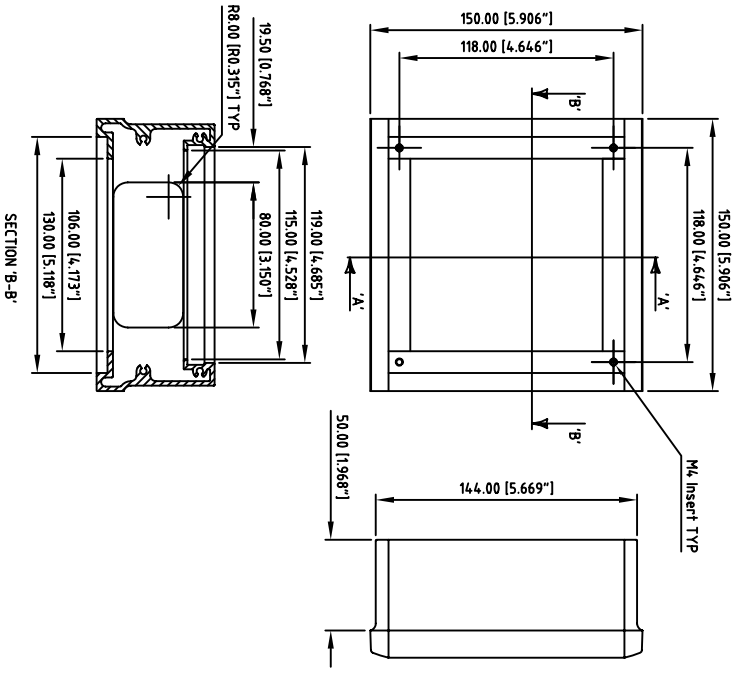
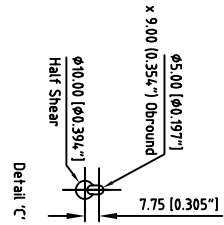
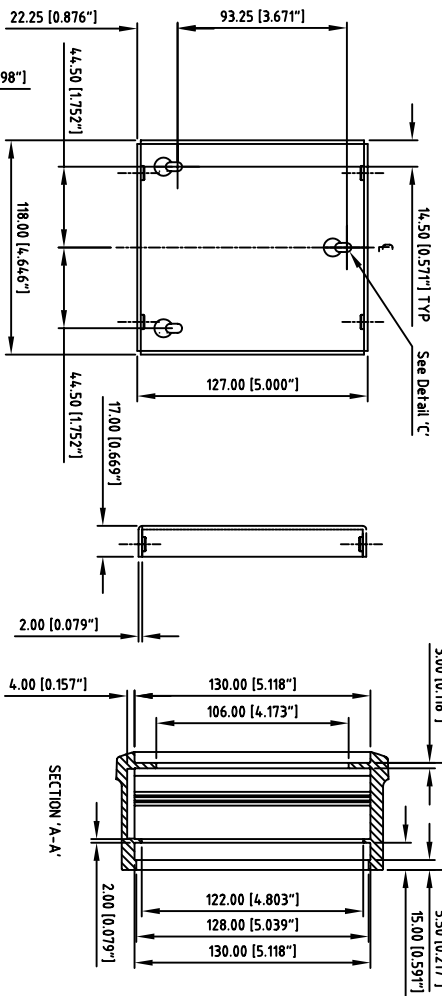
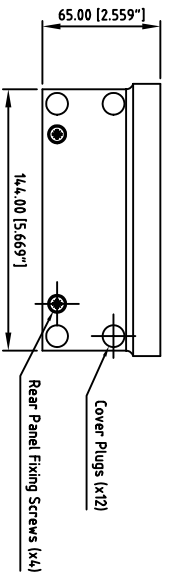


FIRST ANGLE PROJECTION

Modifications

ISS

Note: Subject to technical modifications without prior notice.  
 Typographical and other errors do not justify any claim for damages.  
 All dimensions should be verified using the actual case.



Multitec Case 'S'  
 Part No. MS2 15 105

Tolerances unless otherwise stated:

- General tolerances  $\pm 0.20$
- Resultant tolerances between hole centers  $\pm 0.15$
- Tolerances on hole diameters  $\pm 0.05$
- Angles  $\pm 0.5^\circ$
- Surface finish  $\sqrt{32}$

Required Finish

Scale 1:4

ALL DIMENSIONS IN MILLIMETRES

DO NOT SCALE

Drawn by Ian Cox

Checked by

Drawing Number MS215105

Date drawn August '05

Material Spec.

**METcase**

METCASE ENCLOSURES  
 Unit 3, Mitchell Close  
 Segensworth East, Fareham,  
 Hampshire, PO15 5SE, UK.

Part Name Multitec "S"

www.metcase.com

Part Number MS215105

Sheet 1 of 1

OWN ENCLOSURES LTD. DATE AS SHOWN. THIS DRAWING CONTAINS PROPRIETARY INFORMATION OF OWN ENCLOSURES LTD AND IS TENDERED SUBJECT TO THE FOLLOWING CONDITIONS: THE INFORMATION BE RETAINED IN CONFIDENCE, NOT BE REPRODUCED OR COPIED, AND NOT BE USED OR INCORPORATED IN ANY PRODUCT, UNLESS PERMISSION IS OBTAINED IN WRITING FROM OWN ENCLOSURES LTD.

A4