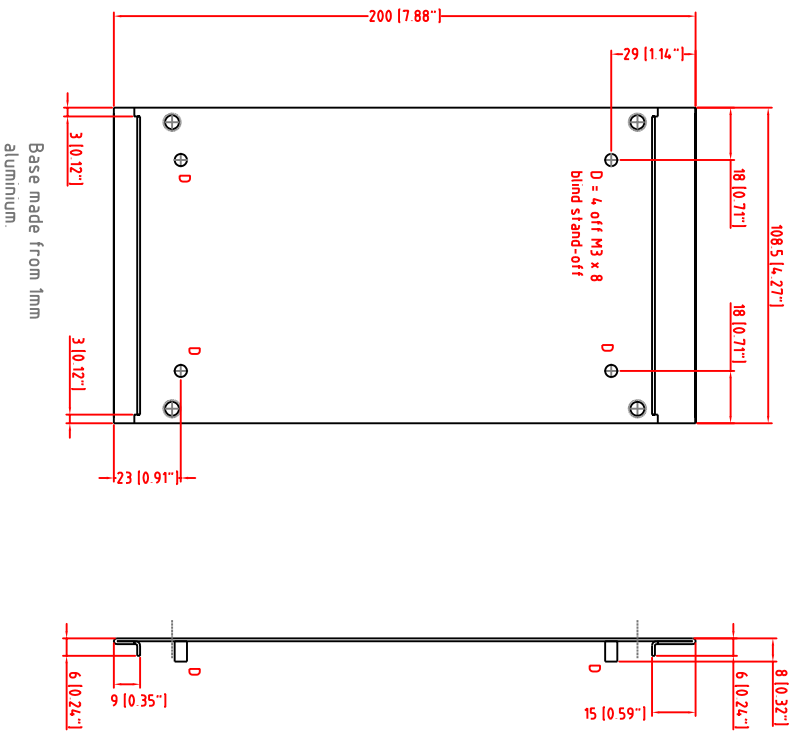
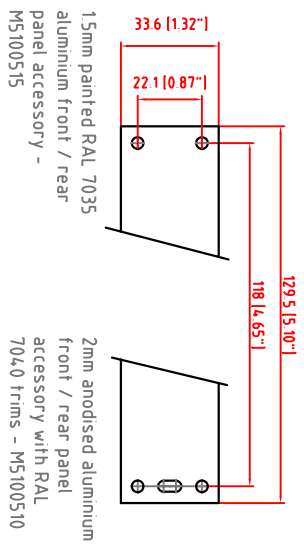
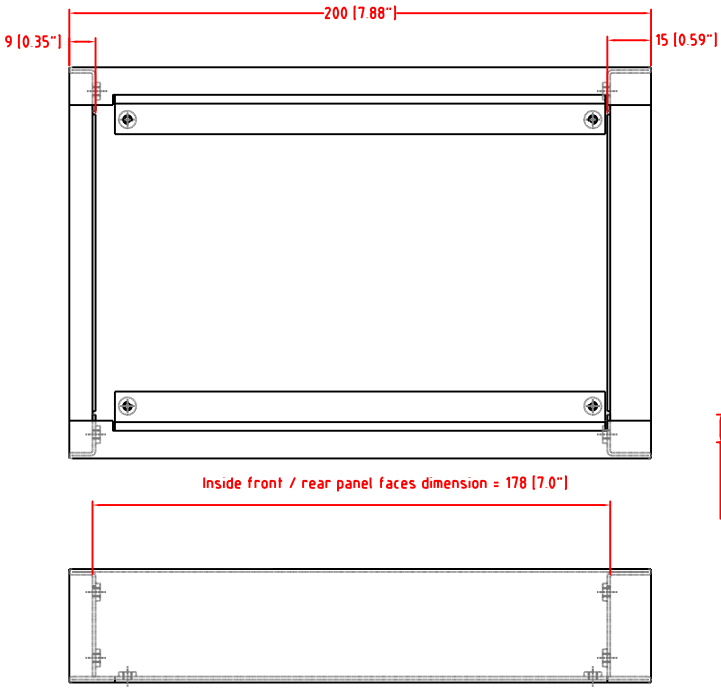
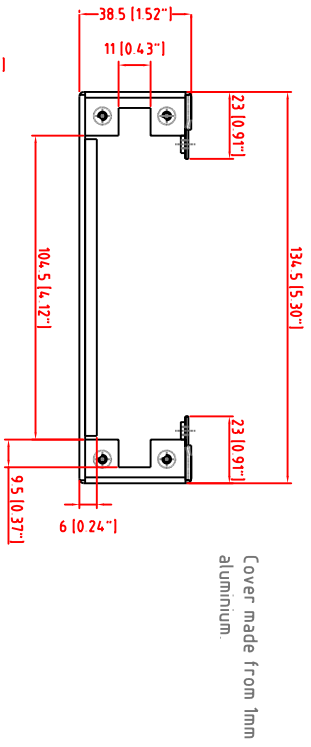


# FIRST ANGLE PROJECTION



Front & rear panels are not included with the standard case. Choose the required type as an accessory - see above.

Note: Subject to technical modifications without prior notice. Typographical and other errors do not justify any claim for damages. All dimensions should be verified using the actual case.

Tolerances unless otherwise stated:
General tolerances ±0.20
Resultant tolerances between hole centers ±0.15
Tolerances on hole diameters ±0.05
Angles ± 0.5°
Surface finish 32/

Requested finish Powder paint RAL 7035	Scale 1:1	ALL DIMENSIONS IN MILLIMETRES (Inches in brackets)		DO NOT SCALE
Drawn by Ian Cox	Checked by	Drawing Number	Date drawn December '05	Internal Spec.
<b>METCASE</b>	METCASE ENCLOSURES Unit 3, Mitchell Close Segensworth East, Fareham, Hampshire, PO15 5SE, UK		Part Name Minimet 3	
www.metcase.com		Part Number M5113215		Sheet 1 of 1
<small>© METCASE ENCLOSURES LTD DATE AS SHOWN. THIS DRAWING CONTAINS PROPRIETARY INFORMATION OF METCASE ENCLOSURES LTD AND IS TENDERED SUBJECT TO THE FOLLOWING CONDITIONS: THE INFORMATION BE REPRODUCED IN WHATEVER FORM, AND NOT BE REPRODUCED OR COPIED, AND NOT BE USED OR INCORPORATED IN ANY PRODUCT, UNLESS PERMISSION IS OBTAINED IN WRITING FROM METCASE ENCLOSURES LTD.</small>				A2

Modifications	Iss
	1