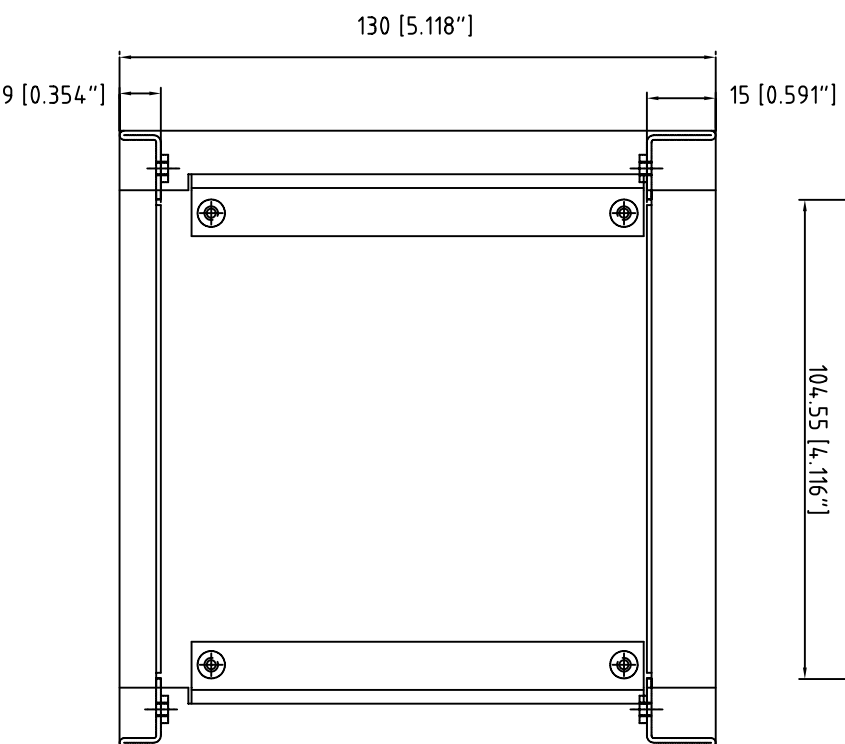
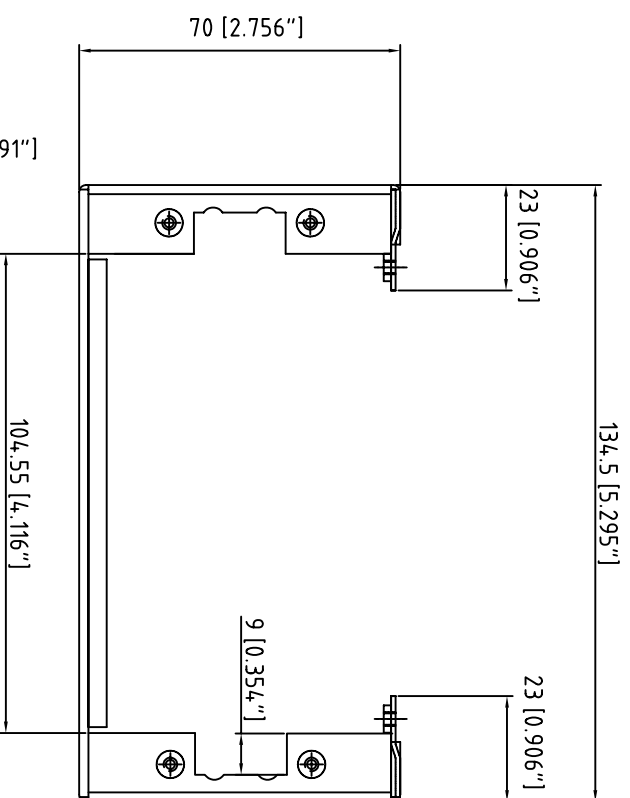
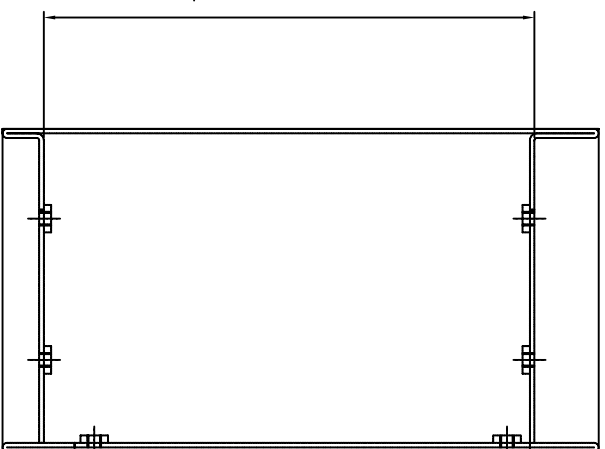


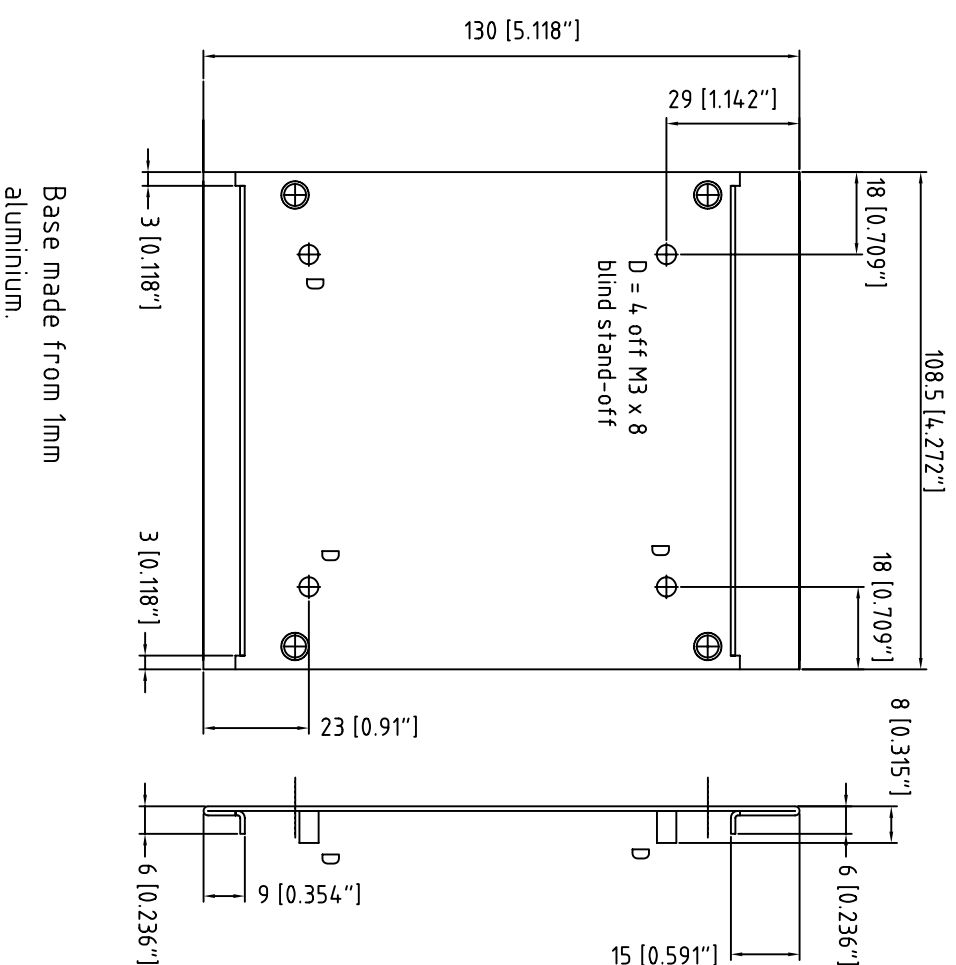
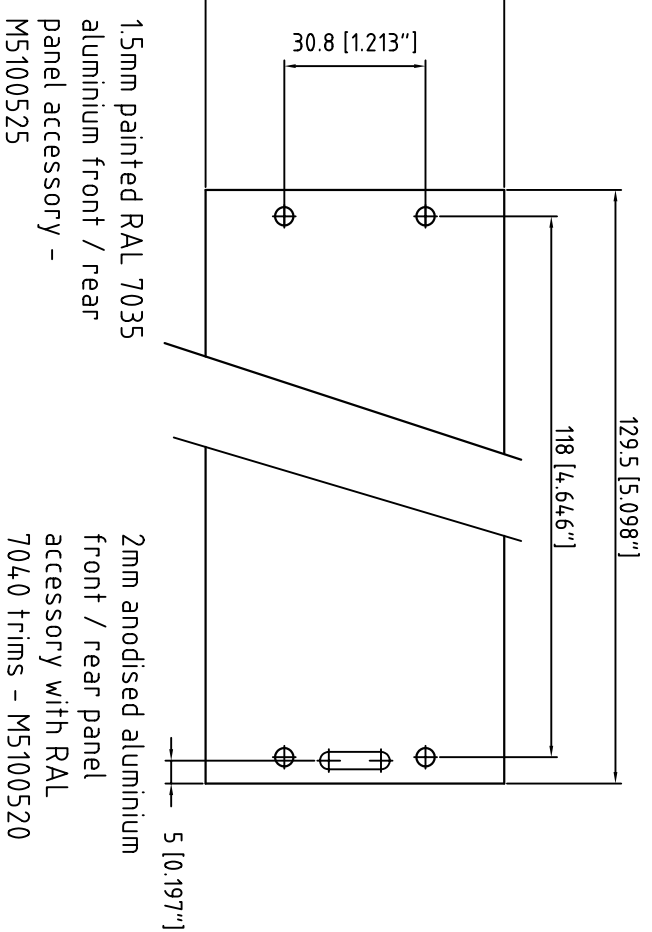
FIRST ANGLE PROJECTION



Inside front / rear panel faces dimension = 108 [4.252"]



Cover made from 1mm aluminium.



Front & rear panels are not included with the standard case. Choose the required type as an accessory - see above.

Tolerances unless otherwise stated:

General tolerances ±0.20
Resultant tolerances between hole centers ±0.15
Tolerances on hole diameters ±0.05
Angles ± 0.5°
Surface finish 32/

Required finish:
Powder paint
RAL 7035

Scale: 1:1
Drawn by: Ian Cox

Checked By:

Drawing Number

ALL DIMENSIONS IN MILLIMETRES (Inches in brackets)

DO NOT SCALE

Date drawn: December '05

Material Spec:

METCASE

METCASE ENCLOSURES
Unit 3, Mitchell Close
Segensworth East, Fareham,
Hampshire, PO15 5SE, UK.

Part Name
Mimmet 2

www.metcase.com

Part Number
M5113125

Sheet 1 of 1

OKW ENCLOSURES LTD (DATE AS SHOWN). THIS DRAWING CONTAINS PROPRIETARY INFORMATION OF OKW ENCLOSURES LTD AND IS TENDERED SUBJECT TO THE FOLLOWING CONDITIONS: THE INFORMATION BE RETAINED IN CONFIDENCE, NOT BE REPRODUCED OR COPIED, AND NOT BE USED OR INCORPORATED IN ANY PRODUCT, UNLESS PERMISSION IS OBTAINED IN WRITING FROM OKW ENCLOSURES LTD.

A2