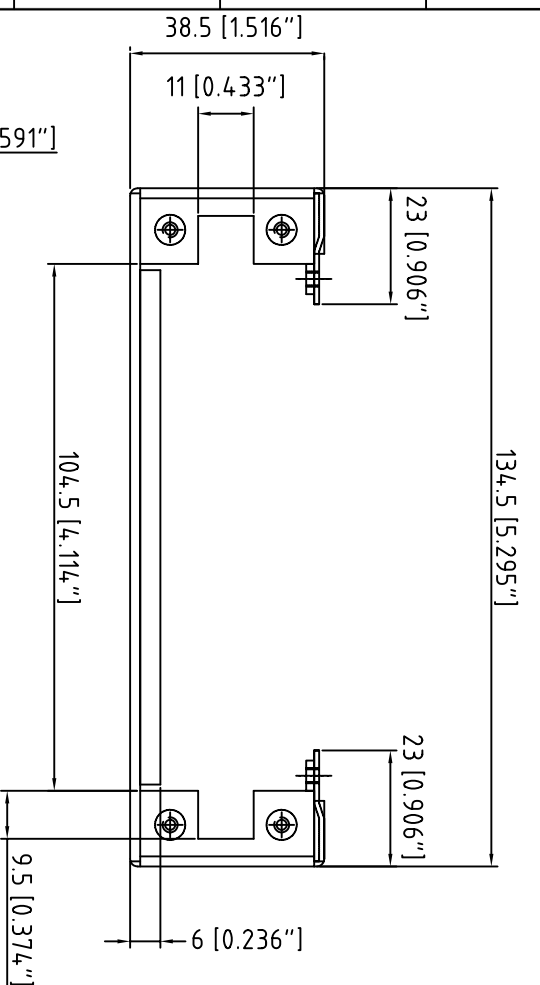
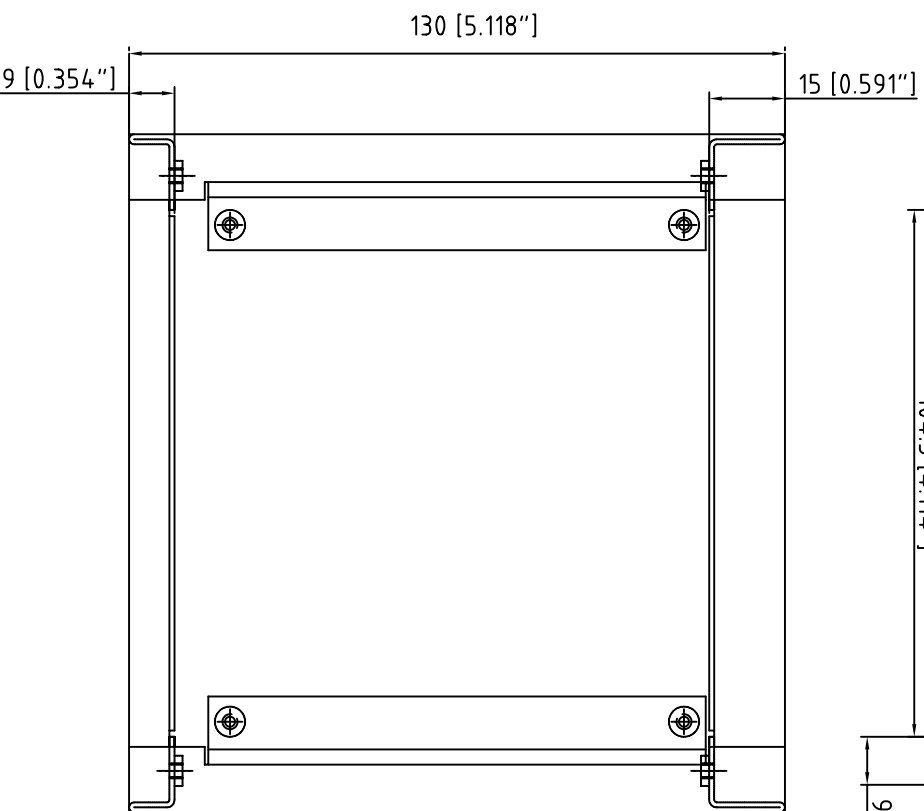


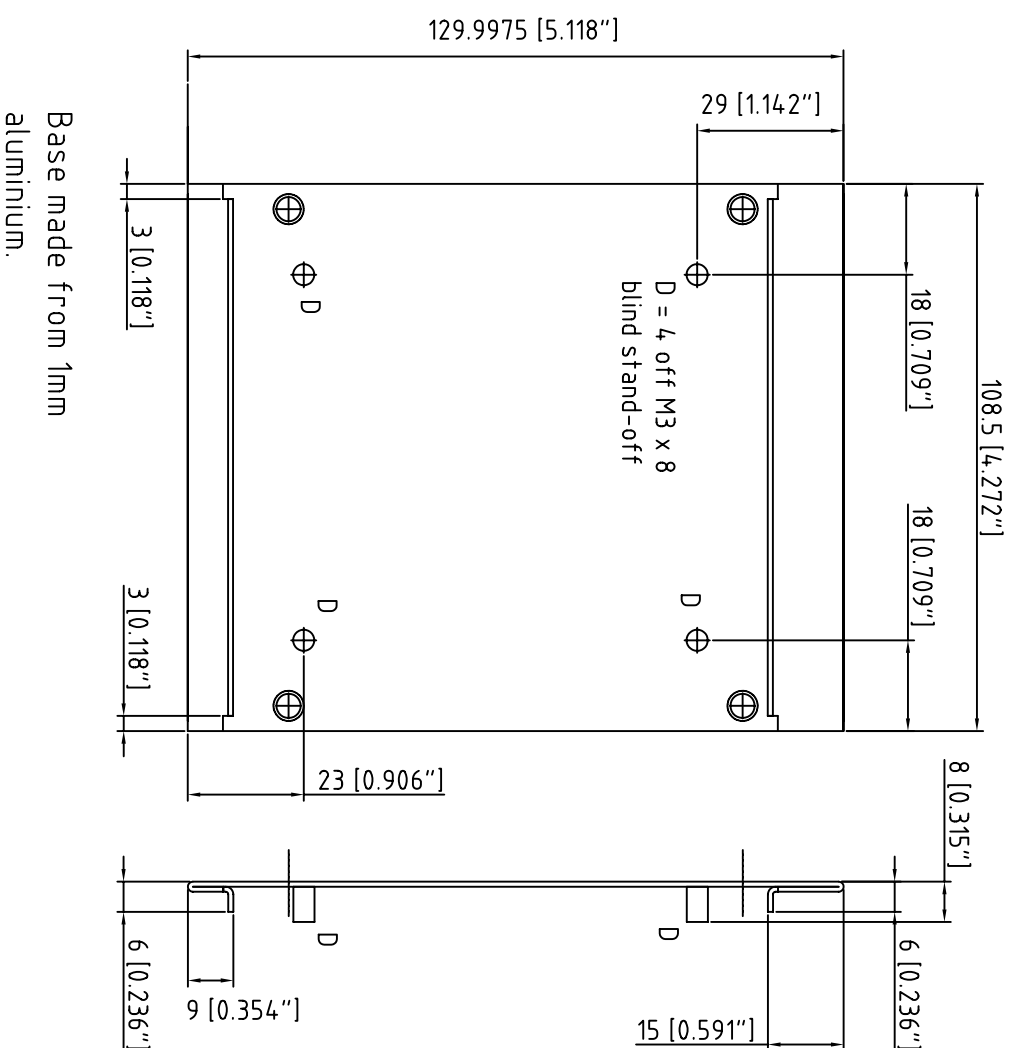
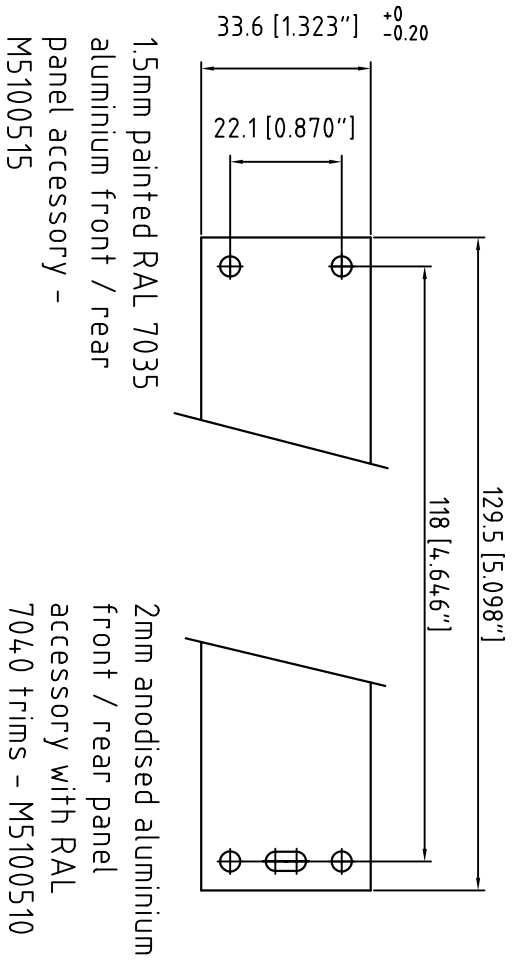
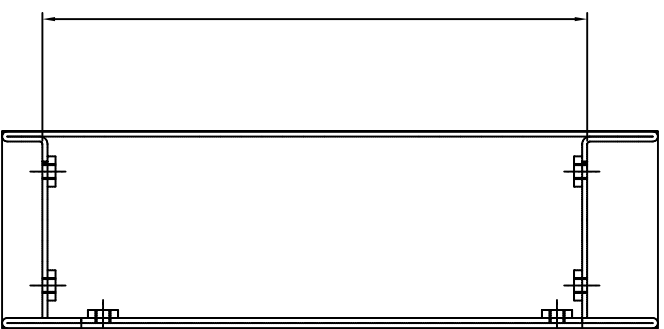
FIRST ANGLE PROJECTION



Cover made from 1mm aluminium.



Inside front / rear panel faces dimension = 108 [4.252\"/>



Base made from 1mm aluminium.

Front & rear panels are not included with the standard case. Choose the required type as an accessory - see above.

Tolerances unless otherwise stated:

- General tolerances ± 0.20
- Resultant tolerances between hole centers ± 0.15
- Tolerances on hole diameters ± 0.05
- Angles $\pm 0.5^\circ$
- Surface finish $\sqrt{2}$

Required Finish:
Powder paint
RAL 7035

Scale: 1:1
Drawn by: Ian Cox

ALL DIMENSIONS IN MILLIMETRES (Inches in brackets)
Checked By:
Drawing Number:

Date drawn: December '05
Material Spec:

METcase
METCASE ENCLOSURES
Unit 3, Mitchell Close

Part Name: Minimet 1
Part Number: M5113115

www.metcase.com

Segensworth East, Fareham, Hampshire, PO15 5SE, UK.

Sheet 1 of 1

Sheet 1 of 1

©OKW ENCLOSURES LTD (DATE AS SHOWN). THIS DRAWING CONTAINS PROPRIETARY INFORMATION OF OKW ENCLOSURES LTD AND IS TENDERED SUBJECT TO THE FOLLOWING CONDITIONS: THE INFORMATION BE RETAINED IN CONFIDENCE, NOT BE REPRODUCED OR COPIED, AND NOT BE USED OR INCORPORATED IN ANY PRODUCT, UNLESS PERMISSION IS OBTAINED IN WRITING FROM OKW ENCLOSURES LTD.

A2

Modifications

1

1 2 3 4 5 6 7 8 9 10