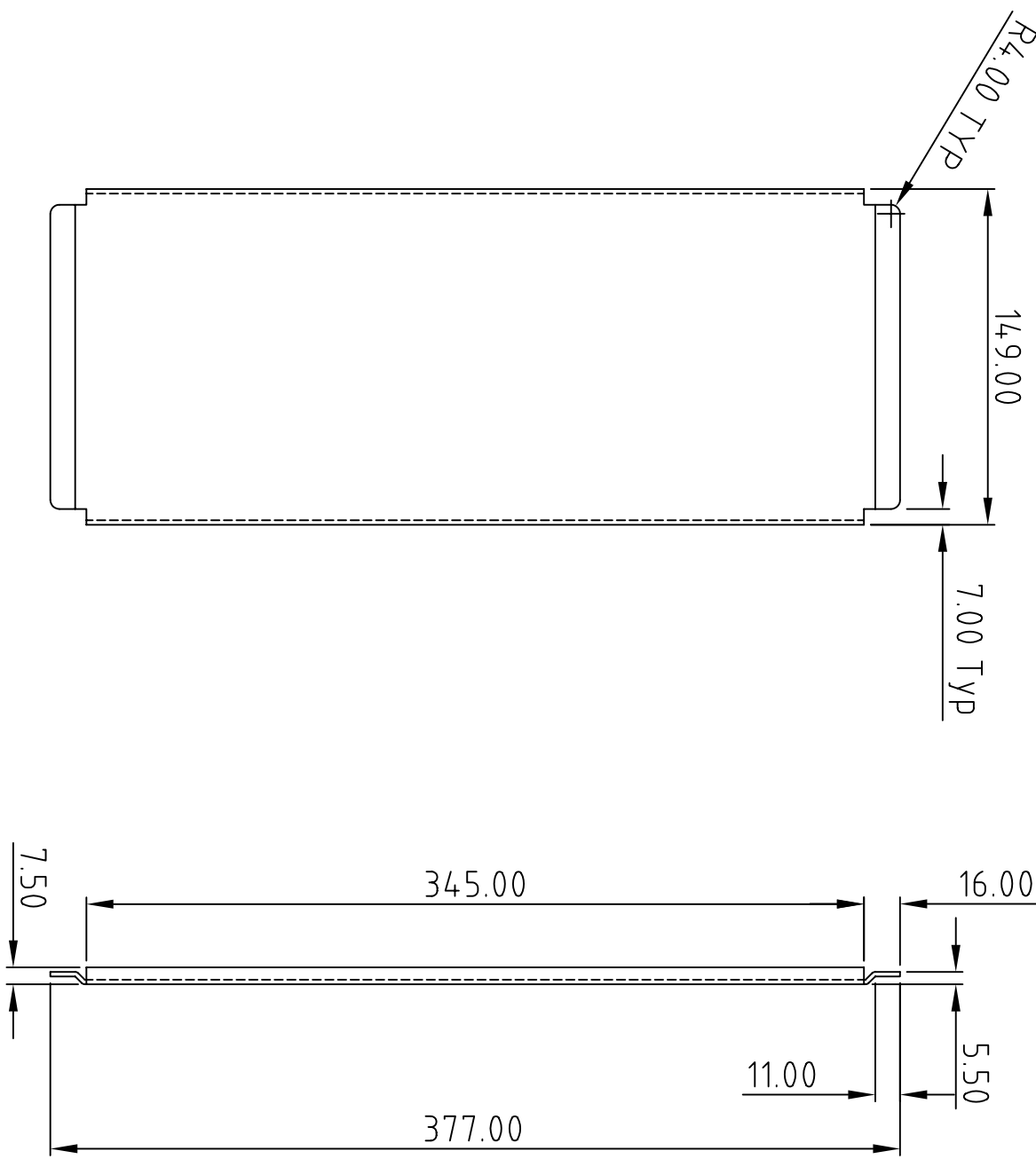


FIRST ANGLE PROJECTION



Modifications	Iss
	1

Tolerances unless otherwise stated:	Required Finish	Scale	ALL DIMENSIONS IN MILLIMETRES			DO NOT SCALE
General tolerances ±0.20	No finish	1:2	Drawn By:	Checked By:	Part Number	Date drawn:
Resultant tolerances between hole centers ±0.15			Ian Cox		M5900201	August '05
Tolerances on hole diameters ±0.05				Drawing Number	Part Name	Material Spec.
Angles ± 0.5°					Chassis Plate 167.5mm	15mm aluminium
Surface finish 32/						



METCASE ENCLOSURES
Unit 3, Mitchell Close
Segensworth East, Fareham,
Hampshire, PO15 5SE, UK.

www.metcase.com

Part Number
M5900201

Sheet 1 of 1

Note:

Subject to technical modifications without prior notice.
Typographical and other errors do not justify any claim for damages.
All dimensions should be verified using the actual case.

©ORW ENCLOSURES LTD DATE AS SHOWN. THIS DRAWING CONTAINS PROPRIETARY INFORMATION OF ORW ENCLOSURES LTD AND IS TENDERED SUBJECT TO THE FOLLOWING CONDITIONS: THE INFORMATION BE RETAINED IN CONFIDENCE, NOT BE REPRODUCED OR COPIED, AND NOT BE USED OR INCORPORATED IN ANY PRODUCT, UNLESS PERMISSION IS OBTAINED IN WRITING FROM ORW ENCLOSURES LTD.

A3