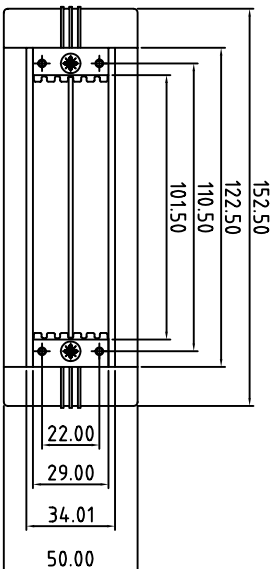
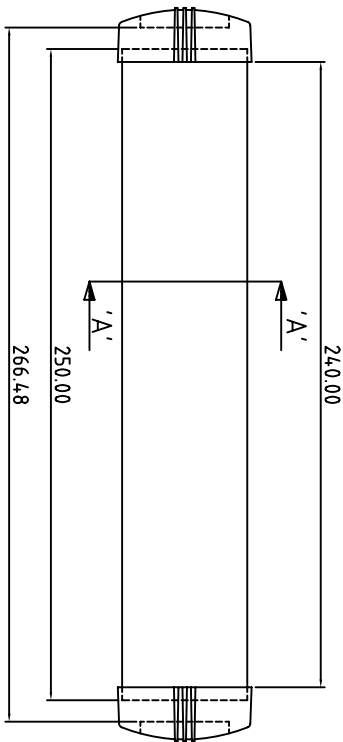
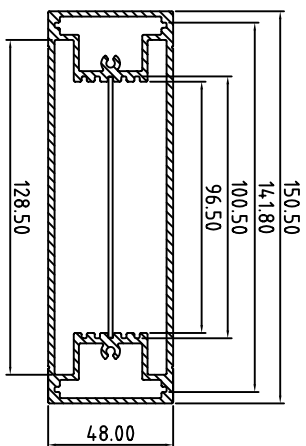
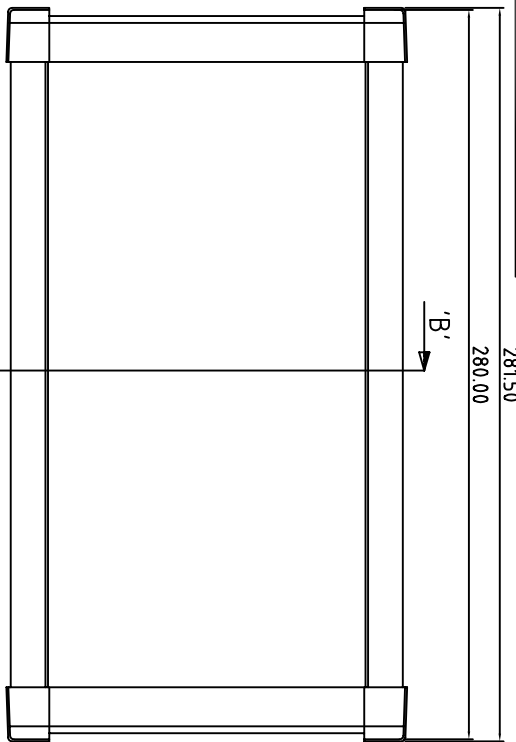


FIRST ANGLE PROJECTION

Note: Subject to technical modifications without prior notice. Typographical and other errors do not justify any claim for damages. All dimensions should be verified using the actual case.

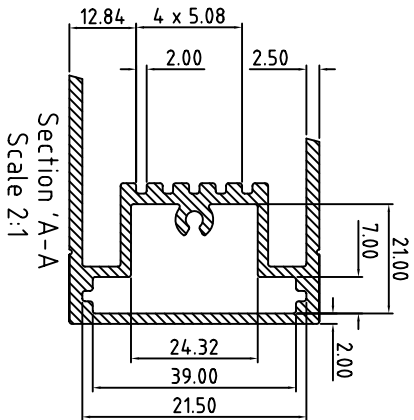
Modifications

1



Side view

Front view



Section 'A-A'
Scale 2:1

Tolerances unless otherwise stated:

General tolerances ±0.20

Resultant tolerances between hole centers ±0.15

Tolerances on hole diameters ±0.05

Angles ± 0.5°

Surface finish \sqrt{R}

ALL DIMENSIONS IN MILLIMETRES

DO NOT SCALE

Required Finish

RAL 7035

Powder Coat

Scale 1:2

Drawn by: Ian Cox

Checked by:

Drawing Number

M5715055

Date drawn: August '05

Material Spec:

METcase

METCASE ENCLOSURES
Unit 3, Mitchell Close
Segensworth East, Fareham,
Hampshire, PO15 5SE, UK.

Part Name
Mettec-Euro 2

www.metcase.com

Part Number
M5715055

Sheet 1 of 1

©OWW ENCLOSURES LTD DATE AS SHOWN. THIS DRAWING CONTAINS PROPRIETARY INFORMATION OF OWW ENCLOSURES LTD AND IS TENDERED SUBJECT TO THE FOLLOWING CONDITIONS: THE INFORMATION BE RETAINED IN CONFIDENCE, NOT BE REPRODUCED OR COPIED, AND NOT BE USED OR INCORPORATED IN ANY PRODUCT, UNLESS PERMISSION IS OBTAINED IN WRITING FROM OWW ENCLOSURES LTD.

A3