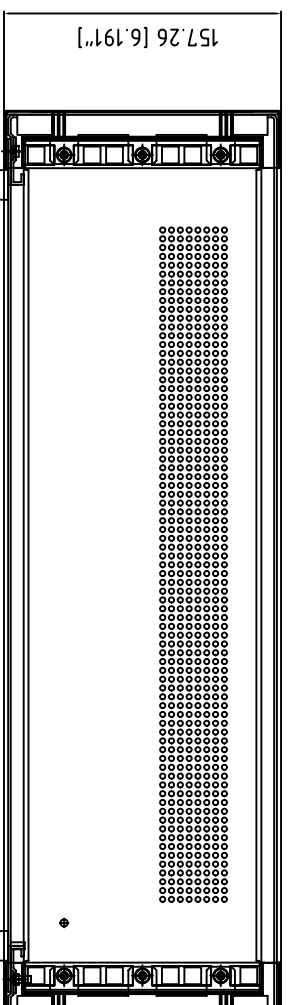
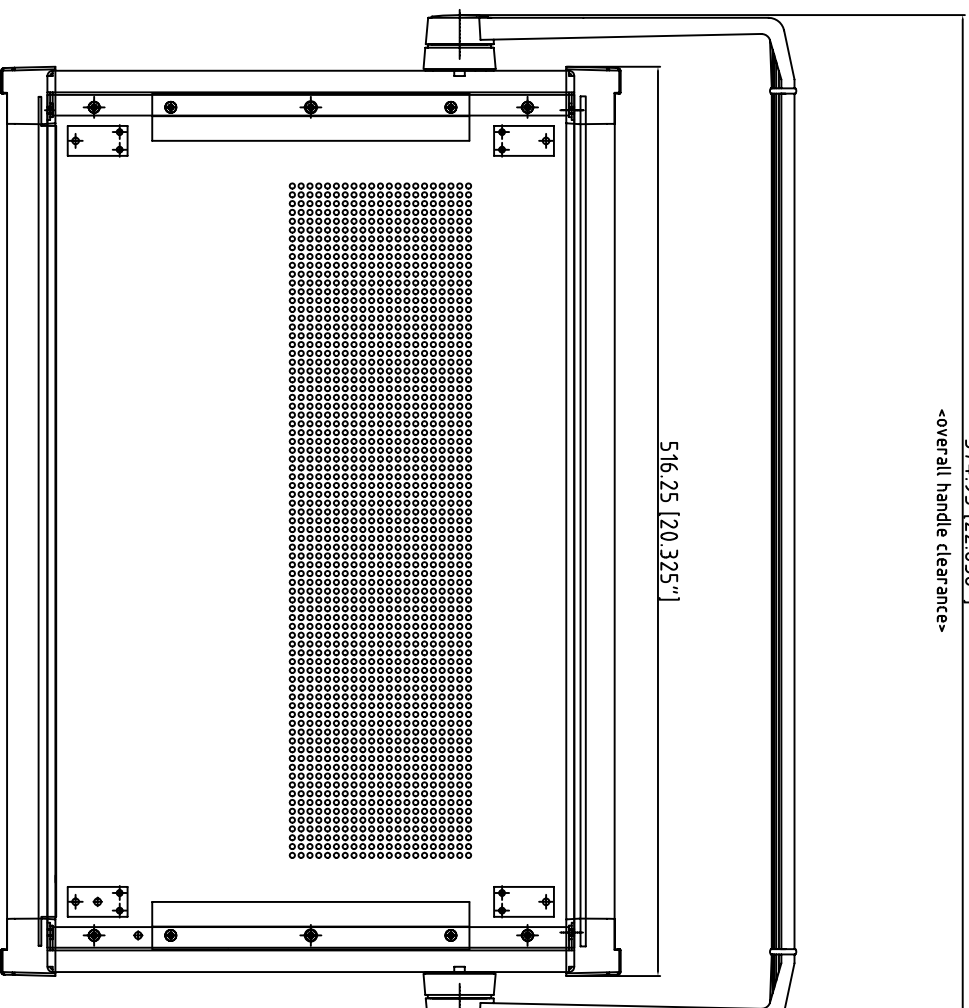
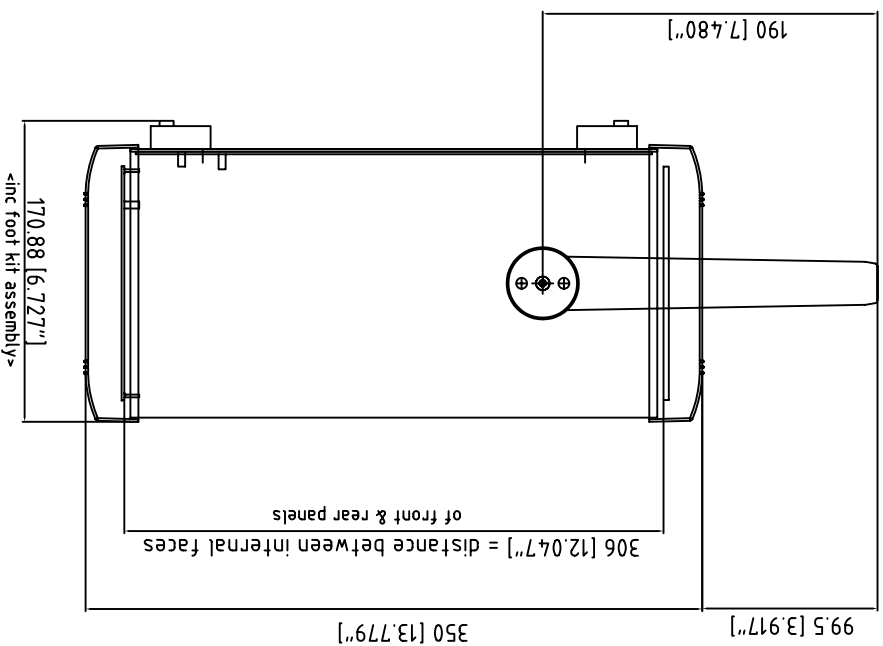


FIRST ANGLE PROJECTION

1 2 3 4 5 6 7 8 9 10

Modifications

1



Notes:

- 1) The geometry is in colour coded blocks as follows:
  - case body - white
  - base panel - magenta
  - rear panel - yellow
  - internal chassis supports - navy blue
  - bezels - pale blue
  - feet - red
  - front panel (optional accessory) - green
  - carry handle - yellow / red
- 2) The rear panel & base panel are vented with 3mm dia holes as follows:
  - rear - 648 off
  - base - 1701 off
- 3) The case body, base & rear panels are made from 1.5mm thick aluminium & painted fine texture powder RAL 7035. All parts have M4, x 10 studs fitted for earthing.
- 4) The bezels are painted fine texture powder RAL 7040.
- 5) The carry handle arms are die-cast aluminium painted fine texture powder RAL 7035 & the handle bar is aluminium extrusion painted fine texture powder RAL 7040.
- 6) The front panel (optional accessory) is made from 3mm aluminium & has an etch & clear anodise finish.

Tolerances unless otherwise stated:		Required Finish:		Scale: 1:1		ALL DIMENSIONS IN MILLIMETRES		DO NOT SCALE	
General tolerances ±0.20		See notes		Drawn by: Ian Cox		Checked By:		Date drawn: Nov '07	
Resultant tolerances between hole centers ±0.15		<b>METcase</b>		Drawing Number		Part Name		Material Spec	
Tolerances on hole diameters ±0.05				METCASE ENCLOSURES		Instrument 3U x 19" x 350mm - Carry Handle			
Angles ± 0.5°		www.metcase.com		15 Brunel Way		Part Number		Sheet 1 of 1	
Surface finish 32/		Segensworth East, Fareham, Hampshire, PO15 5TX, UK.		M6019315				A2	

©OKW ENCLOSURES LTD (DATE AS SHOWN). THIS DRAWING CONTAINS PROPRIETARY INFORMATION OF OKW ENCLOSURES LTD AND IS TENDERED SUBJECT TO THE FOLLOWING CONDITIONS: THE INFORMATION BE RETAINED IN CONFIDENCE; NOT BE REPRODUCED OR COPIED; AND NOT BE USED OR INCORPORATED IN ANY PRODUCT, UNLESS PERMISSION IS OBTAINED IN WRITING FROM OKW ENCLOSURES LTD.