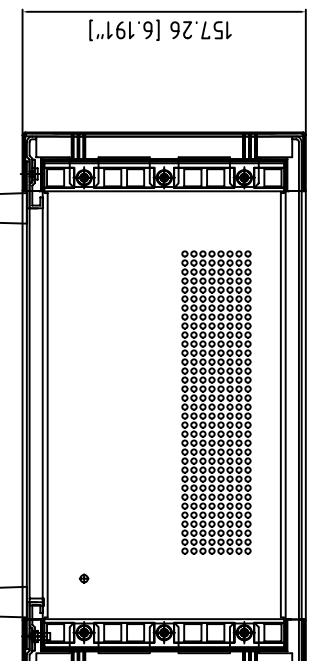
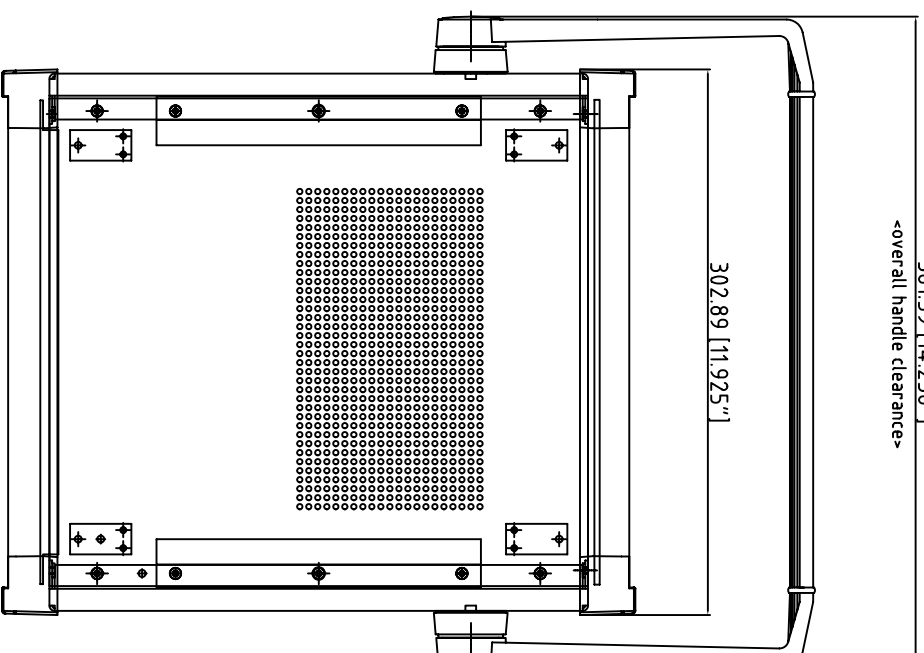
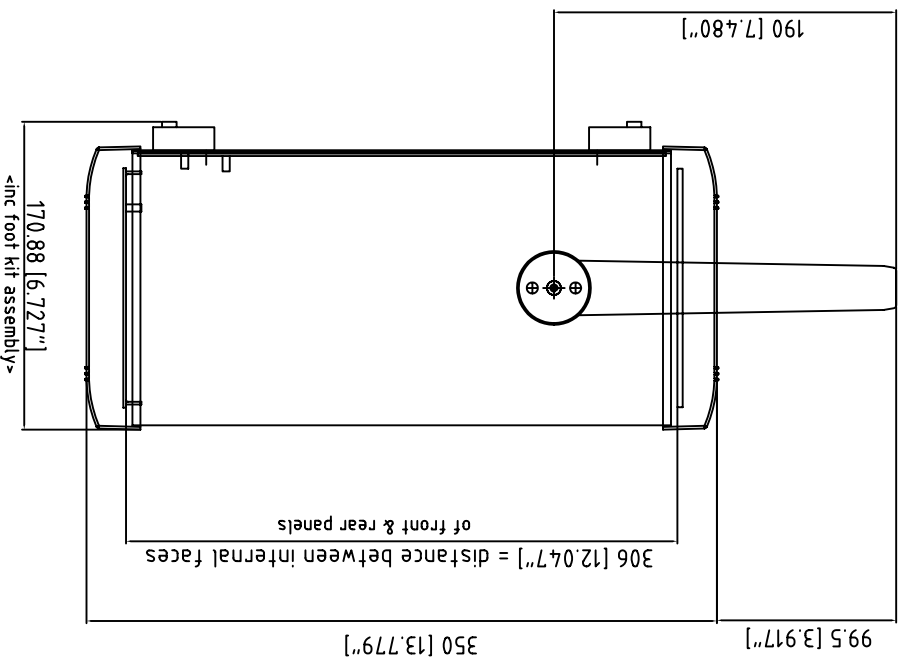


FIRST ANGLE PROJECTION



Notes:

- 1) The geometry is in colour coded blocks as follows:
  - case body - white
  - base panel - magenta
  - rear panel - yellow
  - internal chassis supports - navy blue
  - bezels - pale blue
  - feet - red
  - front panel (optional accessory) - green
- 2) The rear panel & base panel are vented with 3mm dia holes as follows:
  - rear - 288 off
  - base - 756 off
- 3) The case body, base & rear panels are made from 1.5mm thick aluminium & painted fine texture powder RAL 7035. All parts have M4 x 10 studs fitted for earthing.
- 4) The bezels are painted fine texture powder RAL 7040.
- 5) The carry handle arms are die-cast aluminium painted fine texture powder RAL 7035 & the handle bar is aluminium extrusion painted fine texture powder RAL 7040.
- 6) The front panel (optional accessory) is made from 3mm aluminium & has an etch & clear anodise finish.

Modifications

1

ISS

Tolerances unless otherwise stated:

General tolerances ±0.20

Resultant tolerances between hole centers ±0.15

Tolerances on hole diameters ±0.05

Angles ± 0.5°

Surface finish 32/

ALL DIMENSIONS IN MILLIMETRES

DO NOT SCALE

Required Finish: See notes

Scale: 1:1

Drawn By: Ian Cox

Checked By:

Drawing Number

Part Name

Instrument 3U x 10.5" x 350mm - Carry Handle

Part Number

M6010315

Date drawn: Nov '07

Material Spec:

Sheet 1 of 1

**METCASE**

www.metcase.com

METCASE ENCLOSURES  
15 Brunel Way  
Segensworth East, Fareham,  
Hampshire, PO15 5TX, UK.

OKW ENCLOSURES LTD (DATE AS SHOWN). THIS DRAWING CONTAINS PROPRIETARY INFORMATION OF OKW ENCLOSURES LTD AND IS TENDERED SUBJECT TO THE FOLLOWING CONDITIONS: THE INFORMATION BE RETAINED IN CONFIDENCE, NOT BE REPRODUCED OR COPIED, AND NOT BE USED OR INCORPORATED IN ANY PRODUCT, UNLESS PERMISSION IS OBTAINED IN WRITING FROM OKW ENCLOSURES LTD.

A2