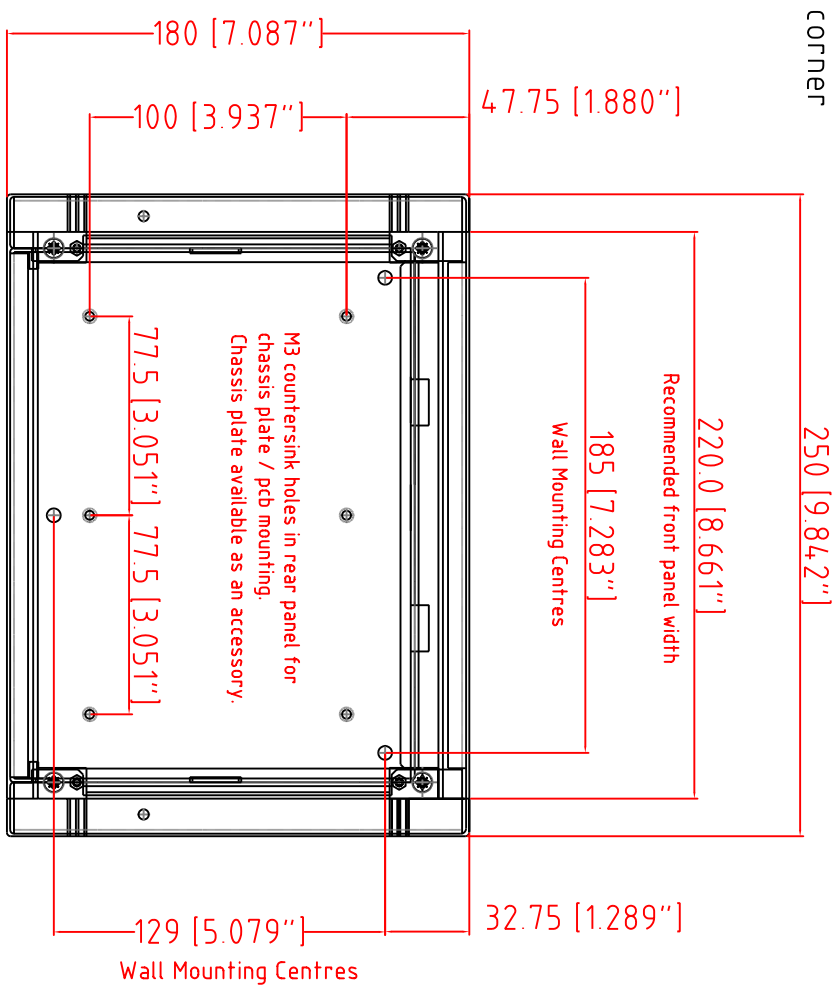
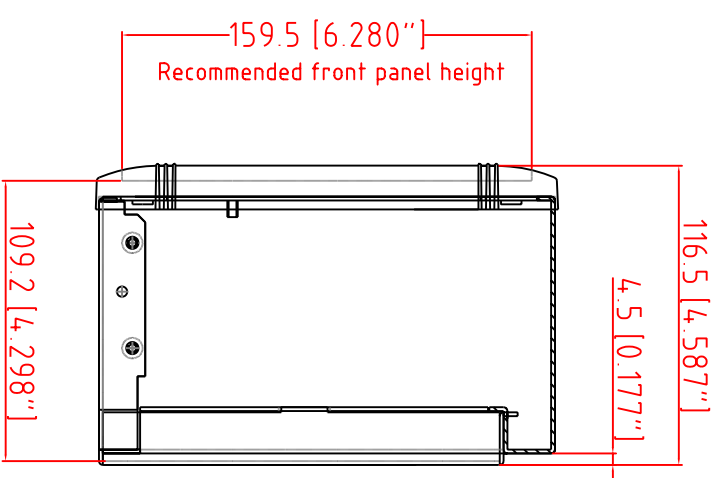
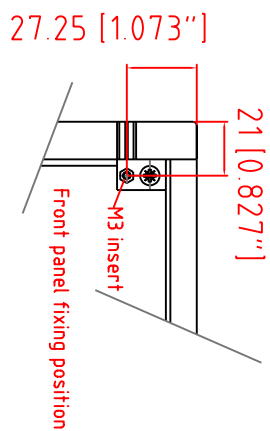


FIRST ANGLE PROJECTION



Build & Finish.
 All parts are made from aluminium, except hardware. The finish is fine texture epoxy polyester powder paint. The case body is fabricated from 1.5mm material & then painted RAL 7035. The bezel is aluminium die castings & extrusions & then painted RAL 7040.

Geometry is set as blocks.
 Each view has:
 the rear cover/base - green
 the side / top cover - magenta
 the bezel assembly - blue

Tolerances unless otherwise stated:		Required Finish		Scale		ALL DIMENSIONS IN MILLIMETRES (Inches in Brackets)		DO NOT SCALE	
General tolerances ±0.20		See note		1:1					
Resultant tolerances between hole centers ±0.15		Drawn by		Ian Cox		Checked By			
Tolerances on hole diameters ±0.05		www.metcase.com		METCASE ENCLOSURES		Drawing Number		Part Name	
Angles ± 0.5°		METCASE		15 Brunel Way,		Sogensworth East, Fareham,		Datamet S	
Surface finish 32/		METCASE ENCLOSURES LTD		Hampshire, PO15 5TX, UK.		Part Number		MS825105	
		INFORMATION BE RETAINED IN CONFIDENCE; NOT BE REPRODUCED OR COPIED, AND NOT BE USED OR INCORPORATED IN ANY PRODUCT, UNLESS PERMISSION IS OBTAINED IN WRITING FROM OKW ENCLOSURES LTD.		Date drawn		January '07		Material Spec	
								See note	
								Sheet 1 of 1	
								A0	

Modifications

1

1 2 3 4 5 6 7 8 9 10